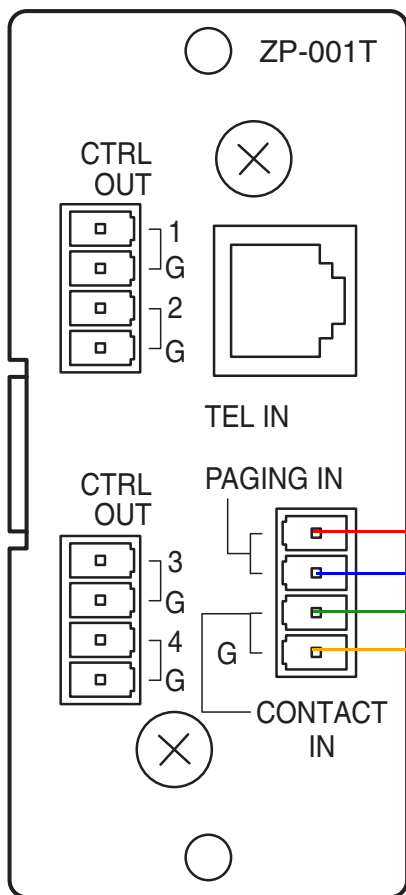
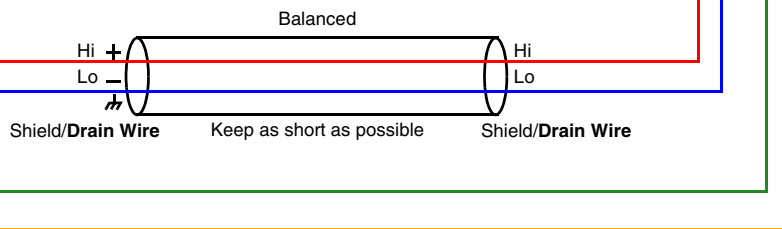
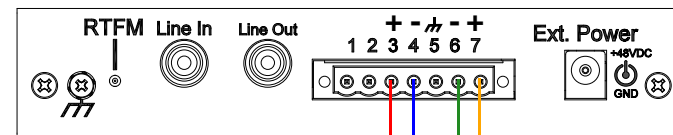


TOA 9000 Amplifier



ZP-001T (Zone Paging Module)

VoIP Paging Server Connections



Page Port Connections

Pin	Description
1	Fault Sense Input (Common).
2	Fault Sense Input (Sense).
3	Positive 600-Ohm Audio Output ^a
4	Negative 600-Ohm Audio Output ^a
5	Audio Ground Reference.
6	Relay Contact - Common ^b
7	Relay Contact - Normally Open ^b

Notes

On the **Device Configuration** page, the **Enable Relay on Page** setting must be enabled.

2-conductor, shielded speaker wire is recommended.

a. The 600-Ohm audio output of the page port is also suited for interfaces with lower input impedances.

b. 1 Amp at 30 VDC for continuous loads.