




Quick Reference for the 4-Port PoweredUSB 2.0 Hub with External Power Supply

011006

Installation information

The USB Driver for this Hub is included in the Windows 2000 operating system. For correct initial enumeration, plug an HID-compliant mouse into the lower USB portion of one port prior to plugging the hub into the Host PC.

 Windows XP Service Pack 2 includes the updated drivers for this Hub. You can download the *Operations Guide for the 4-Port PoweredUSB 2.0 Hub*, which includes information on the Windows XP setup, from the following Product Support page:

<http://www.cyberdata.net/support/pusb/4portusb.html>

Product components list

- (1) CyberData 4-Port PoweredUSB 2.0 Hub
- (1) Accessory Kit:
 - (1) Short USB 2.0 Hi-Speed host cable
 - (1) Host USB cable strain relief clamp
 - (1) Hub External Power supply
 - (1) *Quick Reference for the PoweredUSB 2.0 Hub with External Power Supply*

Contact CyberData

- 4 Port PoweredUSB 2.0 Hub Product Support URL:
<http://www.cyberdata.net/support/pusb/4portusb.html>
- CyberData Sales URL for cables and connectors:
<http://www.cyberdata.net/products/powerusb/pusbcables.html>
- Phone: (831) 373-2601, Technical Support Ext. 333 or **support@cyberdata.net**
- Corporate Web Site URL: **www.cyberdata.net**
- Fax: (831) 373-4193
- Address: 2555 Garden Road, Monterey, CA 93940
- Service, warranty, and Return Materials Authorizations (RMAs): (831) 373-2601 Ext. 136

Figure 1: USB Host "B" connector and cable strain relief

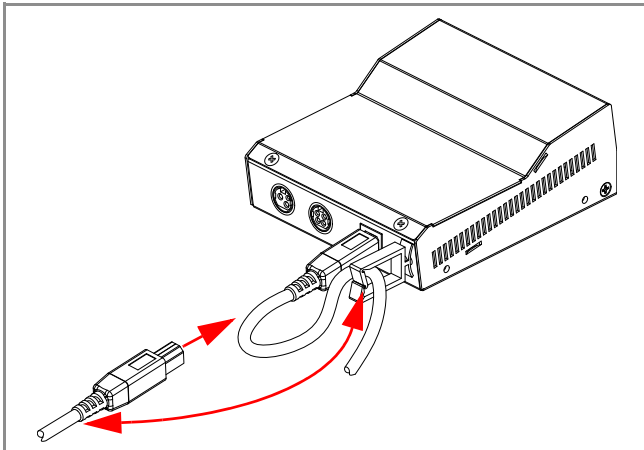
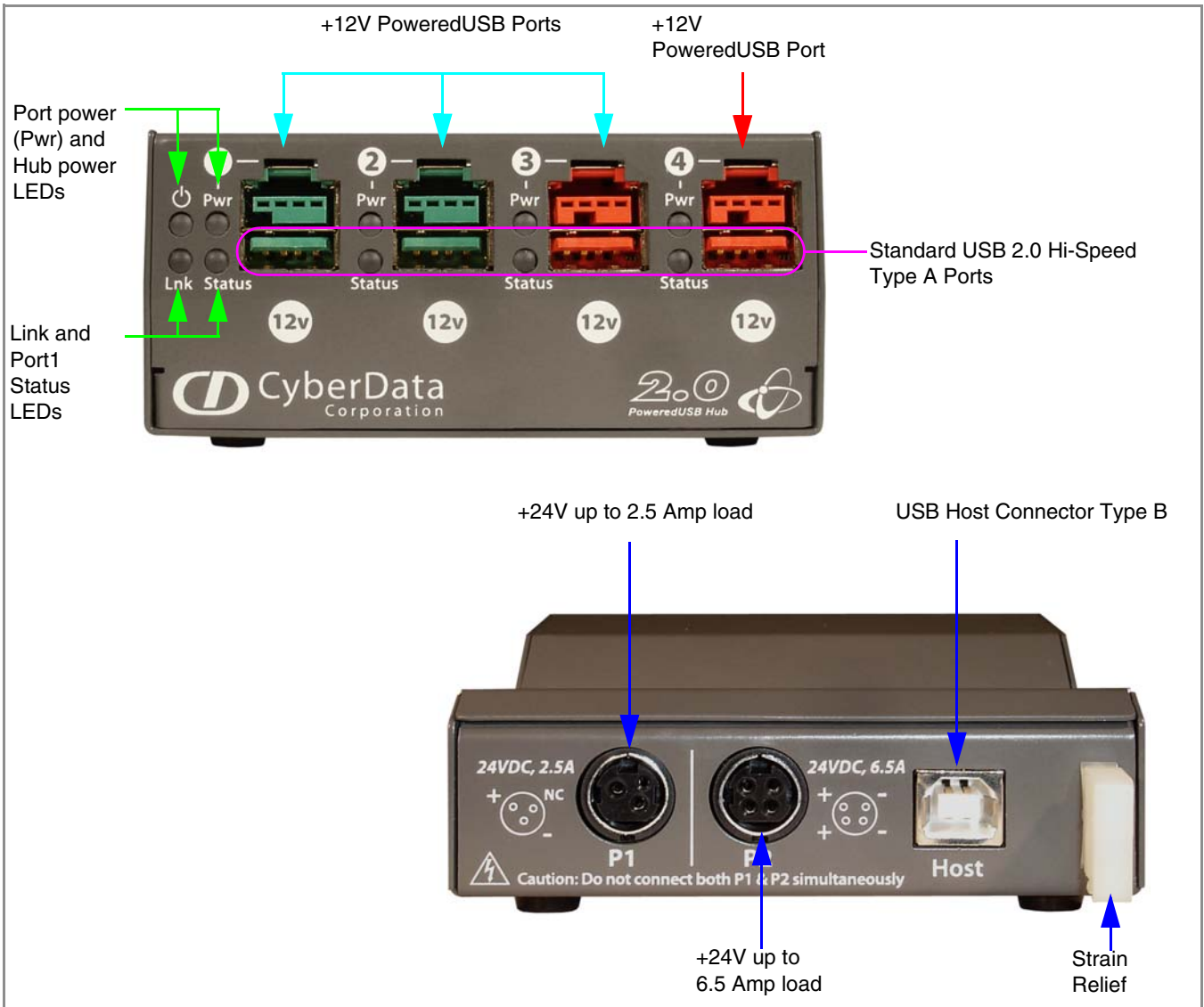


Figure 2: Component identification: external front and back views






Quick Reference for the 4-Port PoweredUSB 2.0 Hub with External Power Supply

011006

Installation information

The USB Driver for this Hub is included in the Windows 2000 operating system. For correct initial enumeration, plug an HID-compliant mouse into the lower USB portion of one port prior to plugging the hub into the Host PC.

 Windows XP Service Pack 2 includes the updated drivers for this Hub. You can download the *Operations Guide for the 4-Port PoweredUSB 2.0 Hub*, which includes information on the Windows XP setup, from the following Product Support page:

<http://www.cyberdata.net/support/pusb/4portusb.html>

Product components list

- (1) CyberData 4-Port PoweredUSB 2.0 Hub
- (1) Accessory Kit:
 - (1) Short USB 2.0 Hi-Speed host cable
 - (1) Host USB cable strain relief clamp
 - (1) Hub External Power supply
 - (1) *Quick Reference for the PoweredUSB 2.0 Hub with External Power Supply*

Contact CyberData

- 4 Port PoweredUSB 2.0 Hub Product Support URL:
<http://www.cyberdata.net/support/pusb/4portusb.html>
- CyberData Sales URL for cables and connectors:
<http://www.cyberdata.net/products/powerusb/pusbcables.html>
- Phone: (831) 373-2601, Technical Support Ext. 333 or **support@cyberdata.net**
- Corporate Web Site URL: **www.cyberdata.net**
- Fax: (831) 373-4193
- Address: 2555 Garden Road, Monterey, CA 93940
- Service, warranty, and Return Materials Authorizations (RMAs): (831) 373-2601 Ext. 136

Figure 1: USB Host "B" connector and cable strain relief

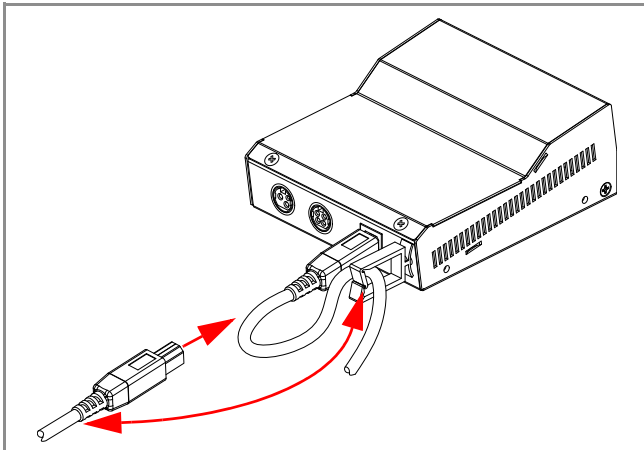


Figure 2: Component identification: external front and back views

