

Mounting

To mount the intercom, use methods compliant with local electrical codes.

Security Torx Screw (4x)

Face Plate and PCB Assembly

2 Gang Box

Flat Head Phillips Machine Screw (2x)

Flush Mounting Plate (2x)

Mounting Screw (Not Provided)

(1) Tamper-resistant Torx Bit (T-15H)
(Requires 1/4-inch Driver Torx Bit Socket)

Caution

Equipment Hazard: Do not use an electric or power screwdriver to fasten the face plate and PCB assembly to the gang box. To prevent over-torque damage to the gasket, do not apply more than 10 inch-pounds force. Over-torquing will cause the gasket to tear, risk moisture intrusion, and effectively void the manufacturer's warranty.

Apply good quality waterproof sealant to all threads.

HOLE PLUG

OR CONDUIT (1/2")

The Intercom has three cable entries. If you are using the center entry, refer to this drawing that shows the entry restrictions.

Not to Exceed 0.1"

1/2" Conduit

Contacting CyberData

Corporate Headquarters

CyberData Corporation
3 Justin Court
Monterey, CA 93940, USA

Phone: 831-373-2601
Fax: 831-373-4193
www.CyberData.net

Sales: (831) 373-2601 ext. 334
Support: 831-373-2601 ext. 333
Web: <http://www.cyberdata.net/support/contactsupportvoip.html>
RMA Dept: (831) 373-2601 ext. 136
Email: RMA@CyberData.net
RMA Status: <http://www.cyberdata.net/support/rmastatus.html>

Warranty and RMA information is available at the following website:
<http://www.cyberdata.net/support/warranty/index.html>

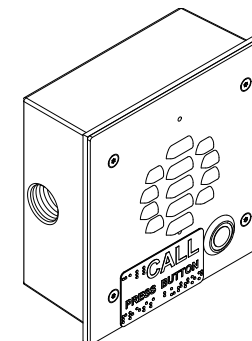
CyberData
The IP Endpoint Company

Installation Quick Reference

VoIP Intercom

SiP Compliant

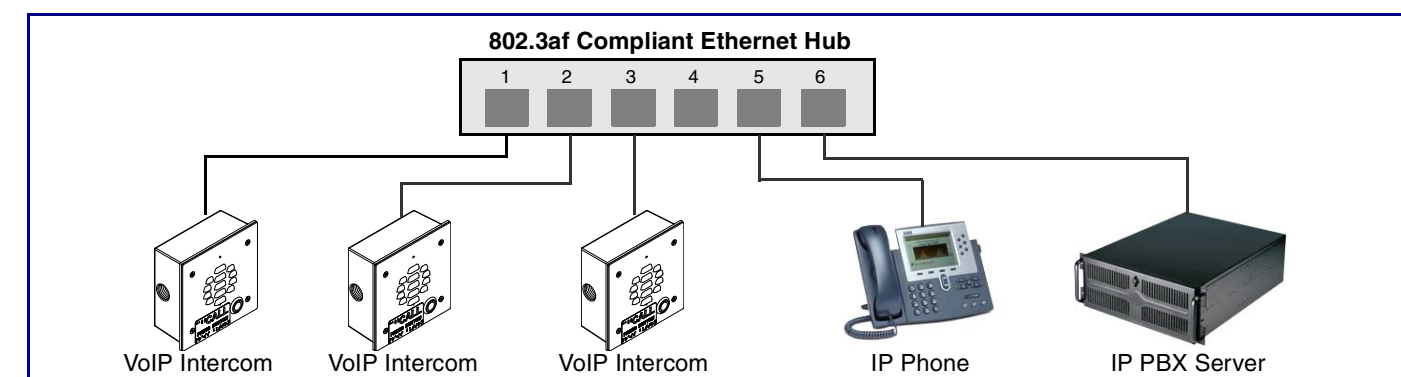
010935



Parameter	Factory Default Setting
IP Addressing	DHCP
IP Address ^a	10.10.10.10
Web Access Username	admin
Web Access Password	admin
Subnet Mask ^a	255.0.0.0
Default Gateway ^a	10.0.0.1

a. Default if there is not a DHCP server present.

Typical Intercom System Installation



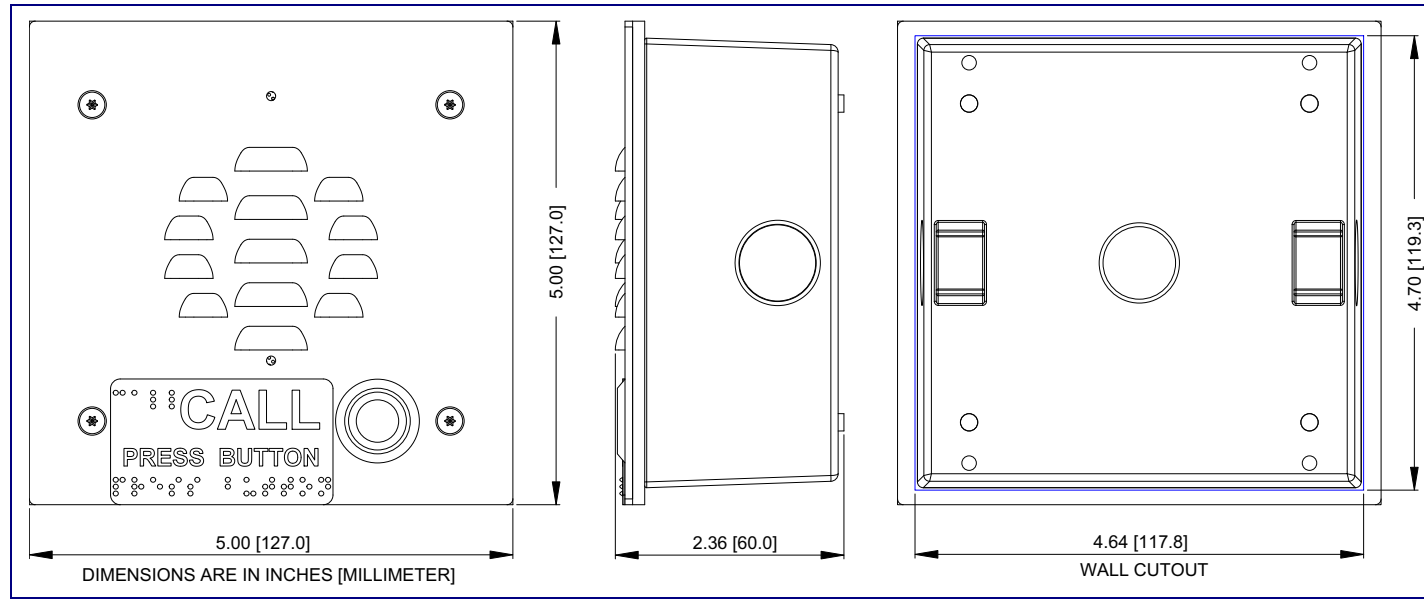
Getting Started

- Download the *VoIP Intercom Operations Guide* PDF file, from the VoIP Intercom product page at: <http://www.cyberdata.net/products/voip/digitalanalog/intercom/docs.html>
- Create a plan for the locations of your Intercoms.
- Prior to installation, consult local building and electrical code requirements.
- WARNING: This enclosure is not rated for any AC voltages!**

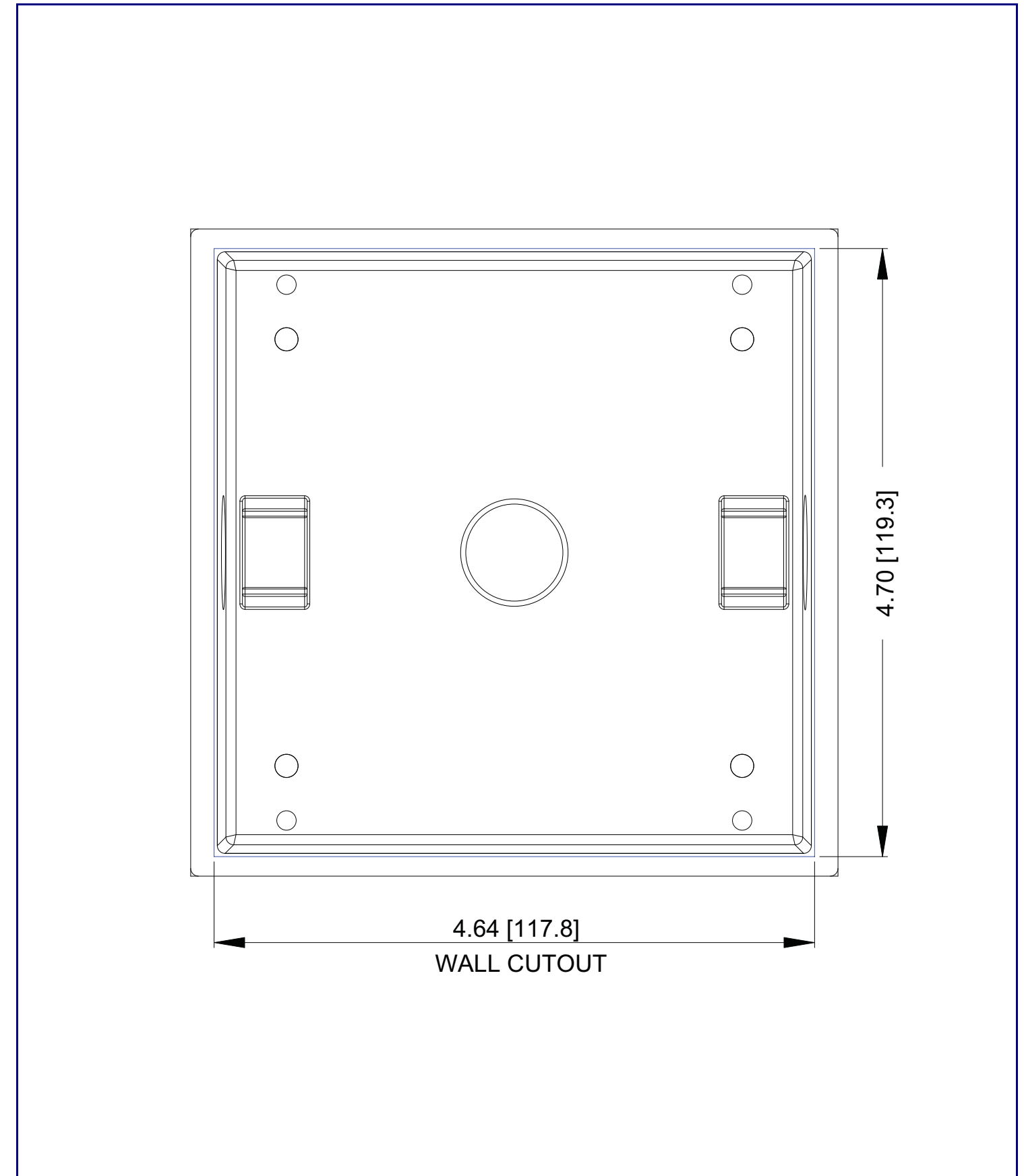
Intercom Parts

<p>(1) Intercom Assembly</p>	<p>(1) Tamper-resistant Torx Bit (T-15H)</p>	<p>(1) Wall Mounting Kit</p> <p>(2) Outlet box plugs</p> <p>(2) Flush mounting plate</p> <p>(2) 8-32 x 1/4" Flat head phillips machine screw</p> <p>(1) 10-24 x 5/16" Pan head phillips machine screw</p>
	<p>(4) #6-32 x 5/8-inch Torx Security Flat Head 82° Countersunk Machine Screw</p>	

Dimensions



Wall Cutout Template



Intercom Connections

