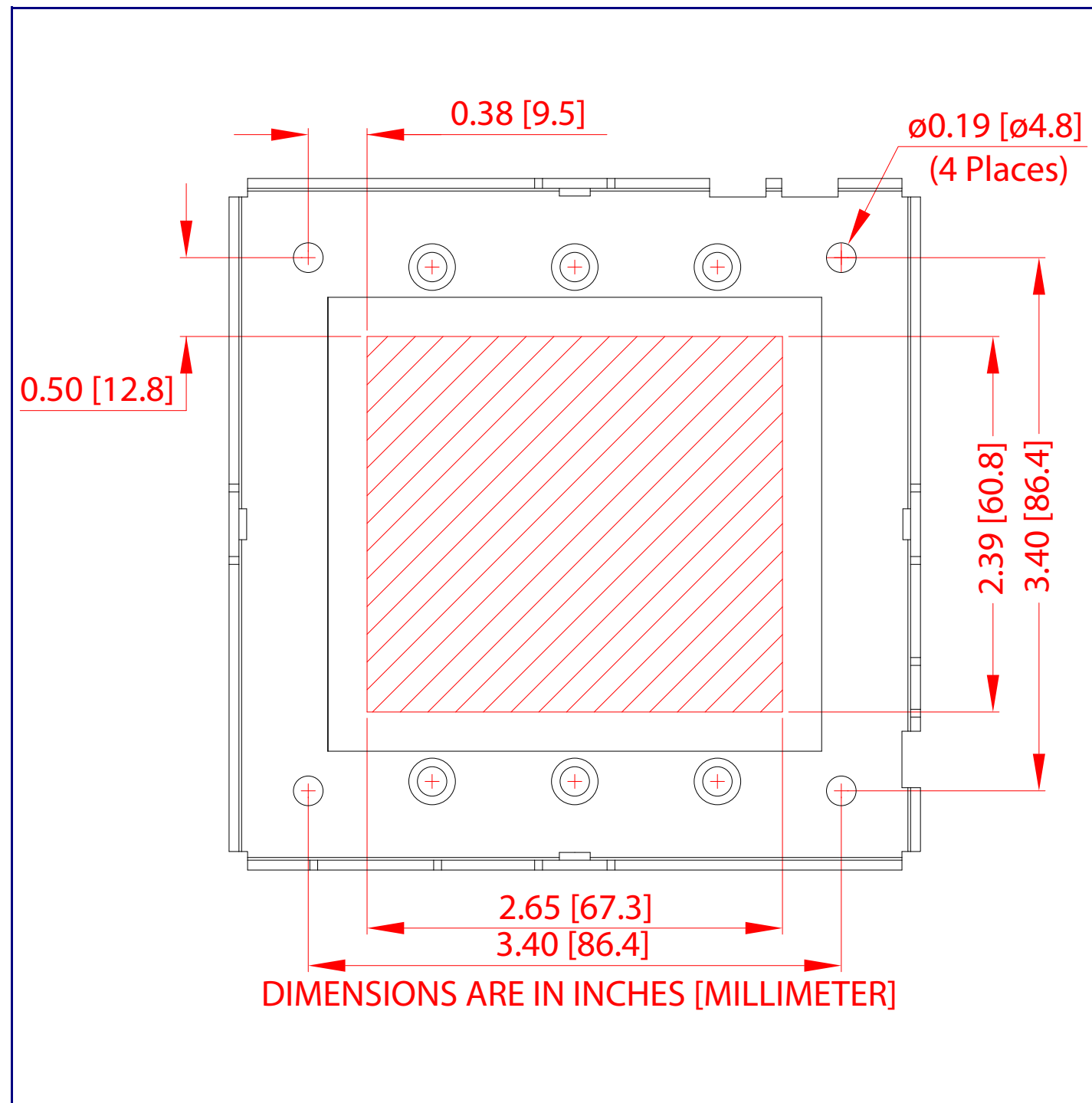


## Maximum Recommended Wall Cutout Dimensions



## Contacting CyberData

### Corporate Headquarters

CyberData Corporation  
3 Justin Court  
Monterey, CA 93940, USA

Phone: 831-373-2601  
Fax: 831-373-4193  
<https://www.cyberdata.net/>

Sales: 831-373-2601 ext. 334  
Support: 831-373-2601 ext. 333  
Support Website: <https://support.cyberdata.net/>  
RMA Department Contact and Status: <https://support.cyberdata.net/>  
Warranty Information: <https://support.cyberdata.net/>

## SIP Call Button

SIP Compliant

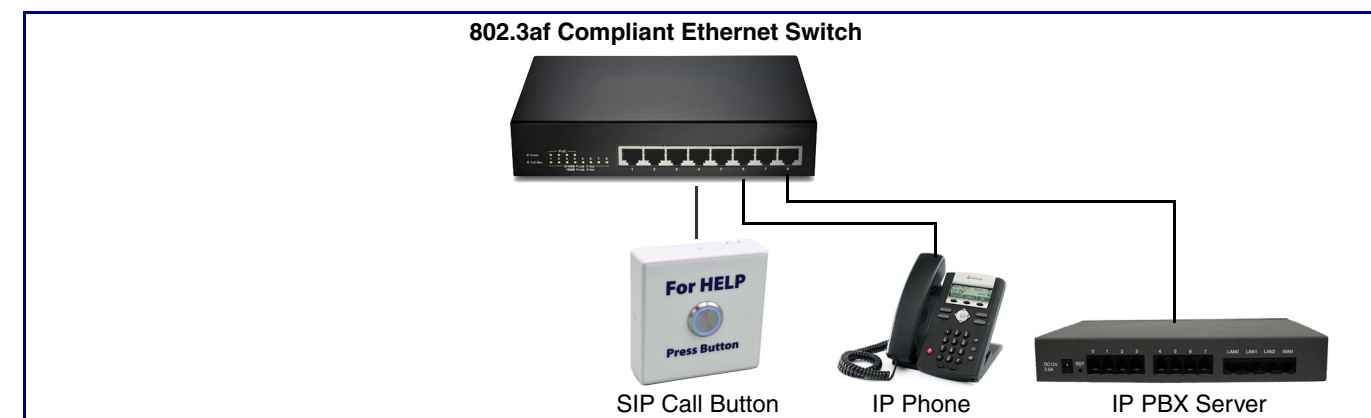
# 011049



Parameter	Factory Default Setting
IP Addressing	DHCP
IP Address <sup>a</sup>	IPv4 Link Local
Web Access Username	admin
Web Access Password	admin
Subnet Mask <sup>a</sup>	IPv4 Link Local
Default Gateway <sup>a</sup>	IPv4 Link Local

a. Default if there is not a DHCP server present.

## Typical System Installation



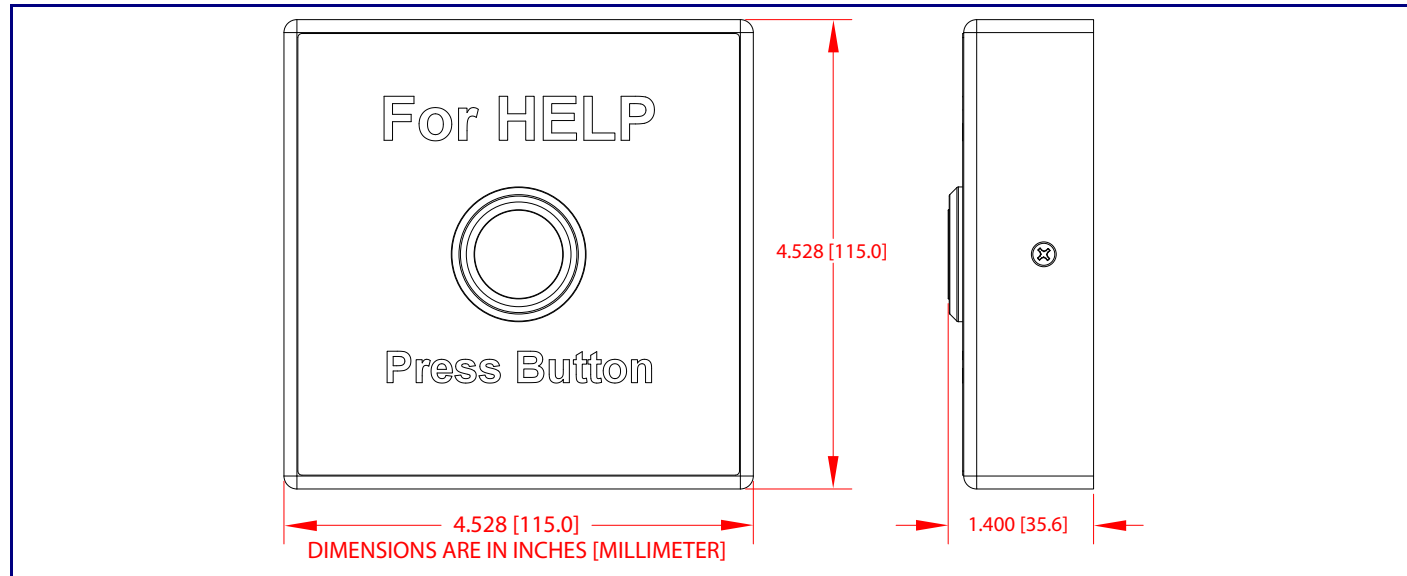
## Getting Started

- Download the *SIP Call Button Operations Guide* PDF file, from the SIP Call Button product page at: <https://www.cyberdata.net/products/011049>
- Create a plan for the locations of your SIP Call Buttons.
- **WARNING:** This product should be installed by a licensed electrician according to all local electrical and building codes.
- **WARNING:** To prevent injury, this apparatus must be securely attached to the floor/wall in accordance with the installation instructions.
- **WARNING:** The PoE connector is intended for intra-building connections only and does not route to the outside plant.
- **WARNING:** This enclosure is not rated for any AC voltages!

## Parts

<p><b>(1) SIP Call Button Assembly</b></p>	<p><b>(1) Wall Mounting Kit</b></p> <p>(4) #6 x 1.25 inches Sheet Metal Screw</p> <p>(4) #6 Ribbed Plastic Anchor</p>	<p><b>(1) Gang Box Mounting Kit</b></p> <p>(4) #6-32 x 0.625-inch Flat-Head Machine Screw</p>
--	---	---

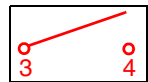
## Dimensions



## Terminal Block Connections

### Alternate Power Input:

- 1 = +8 to +12VDC @ 1000mA Regulated Power Supply\*
- 2 = Power Ground\*

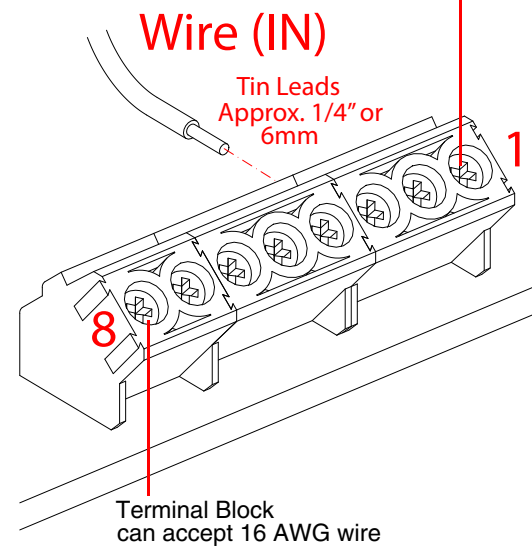


### Relay Contact:

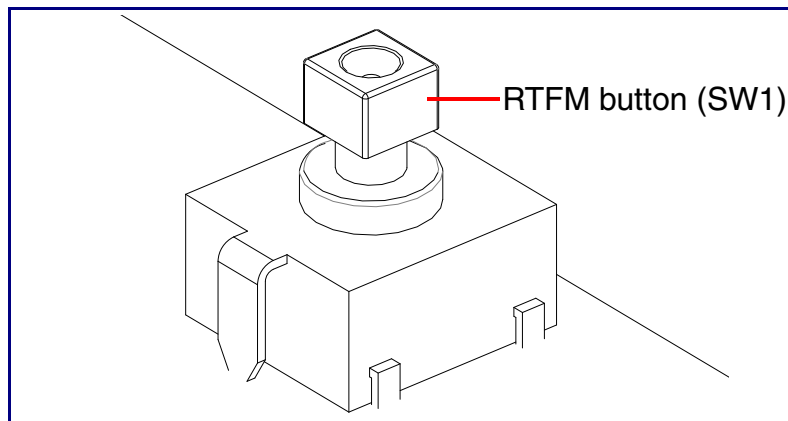
- (1 A at 30 VDC for continuous loads)
- 3 = Relay Common
- 4 = Relay Normally Open Contact
- 5 = Sense Input
- 6 = Sense Ground
- 7 = Remote Switch "A"
- 8 = Remote Switch "B"

\*Contacts 1 and 2 on the terminal block are only for powering the device from a non-PoE 12VDC power source as an alternative to Network PoE power. Use of these contacts for any other purpose will damage the device and void the product warranty.

Use a 3.17 mm (1/8-inch) flat blade screwdriver for the terminal block screws



## RTFM Button



To announce the device's current IP address:

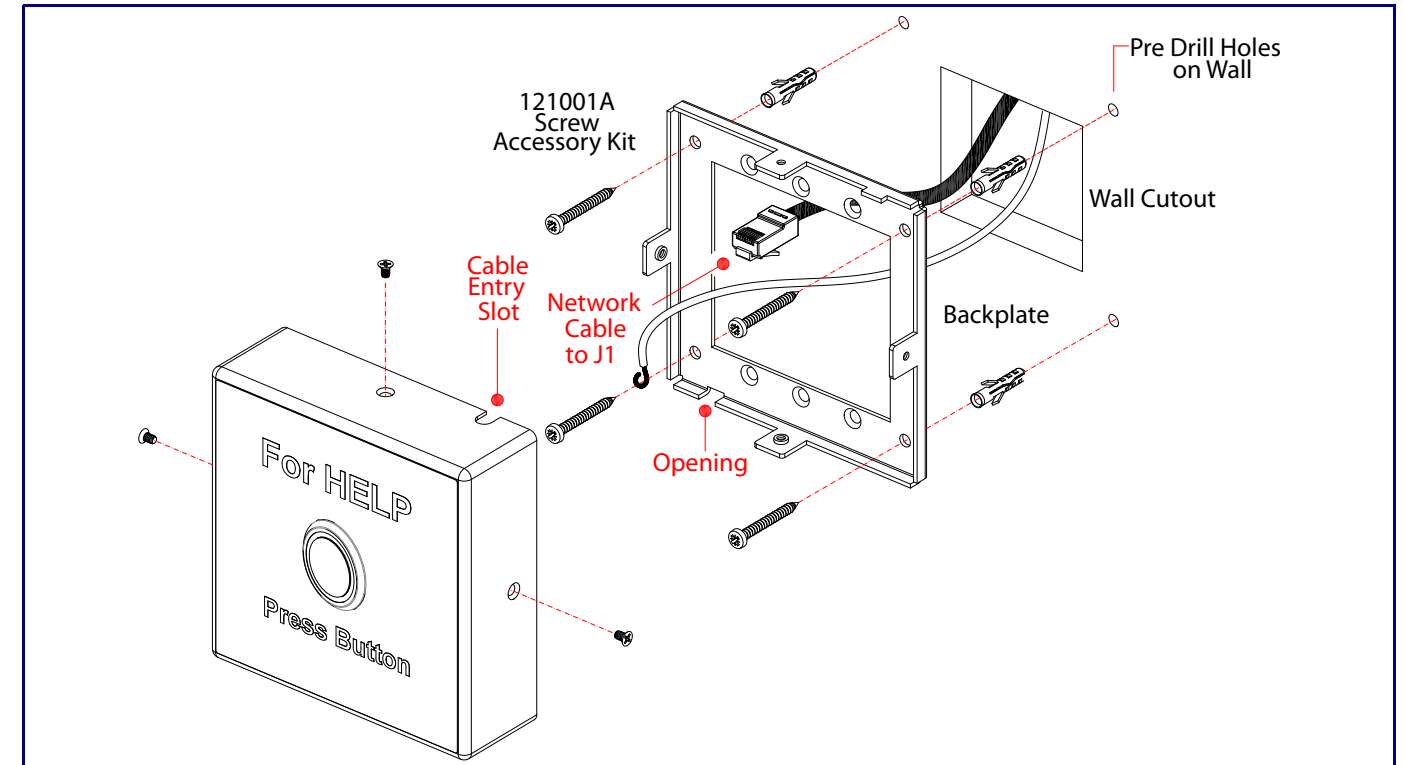
- Press and release the RTFM button within a five second window.

**Note** The device will use DHCP to obtain the new IP address (DHCP-assigned address or default to IPv4 Link Local if a DHCP server is not present).

To restore the device to factory default settings:

- Press and hold the RTFM button for longer than five seconds until you hear the device announce that it is restoring the factory default settings.

## Wall Mounting Options



## Gang Box Mounting Options

