

Contacting CyberData

Corporate Headquarters	
CyberData Corporation 3 Justin Court Monterey, CA 93940, USA	Sales: 831-373-2601 ext. 334 Support: 831-373-2601 ext. 333 Support Website: https://support.cyberdata.net/ RMA Department Contact and Status: https://support.cyberdata.net/ Warranty Information: https://support.cyberdata.net/
Phone: 831-373-2601 Fax: 831-373-4193 https://www.cyberdata.net/	

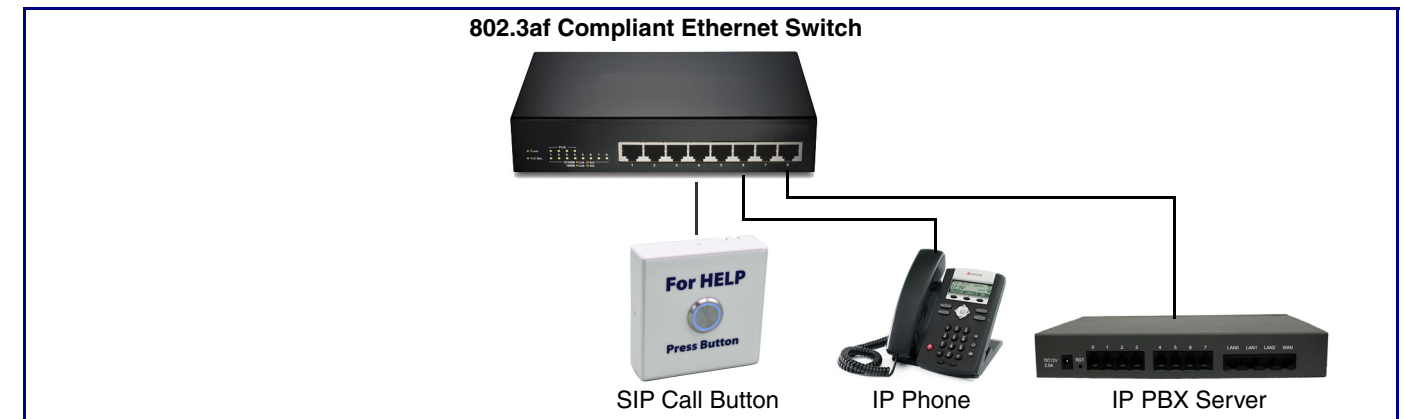
SIP Call Button
SIP Compliant
011049



Parameter	Factory Default Setting
IP Addressing	DHCP
IP Address ^a	192.168.1.23
Web Access Username	admin
Web Access Password	admin
Subnet Mask ^a	255.255.255.0
Default Gateway ^a	192.168.1.1

a. Default if there is not a DHCP server present.


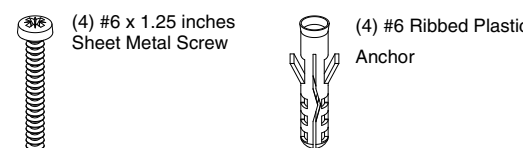
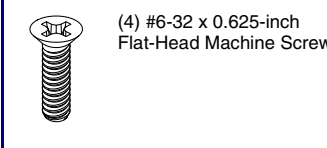
Typical System Installation



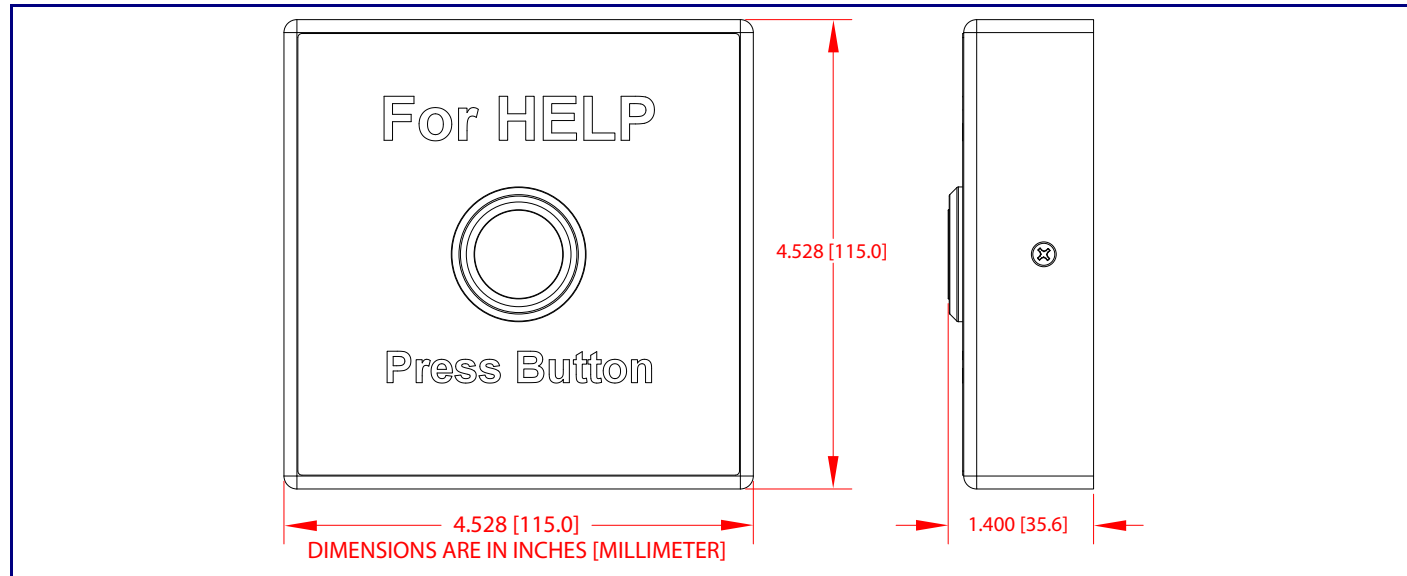
Getting Started

- Download the *SIP Call Button Operations Guide* PDF file, from the SIP Call Button product page at: <https://www.cyberdata.net/products/011049>
- Create a plan for the locations of your SIP Call Buttons.
- **WARNING:** This product should be installed by a licensed electrician according to all local electrical and building codes.
- **WARNING:** To prevent injury, this apparatus must be securely attached to the floor/wall in accordance with the installation instructions.
- **WARNING:** The PoE connector is intended for intra-building connections only and does not route to the outside plant.
- **WARNING:** This enclosure is not rated for any AC voltages!

Parts

(1) SIP Call Button Assembly 	(1) Wall Mounting Kit 	(1) Gang Box Mounting Kit 
---	--	--

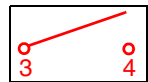
Dimensions



Terminal Block Connections

Alternate Power Input:

- 1 = +8 to +12VDC @ 1000mA Regulated Power Supply*
- 2 = Power Ground*

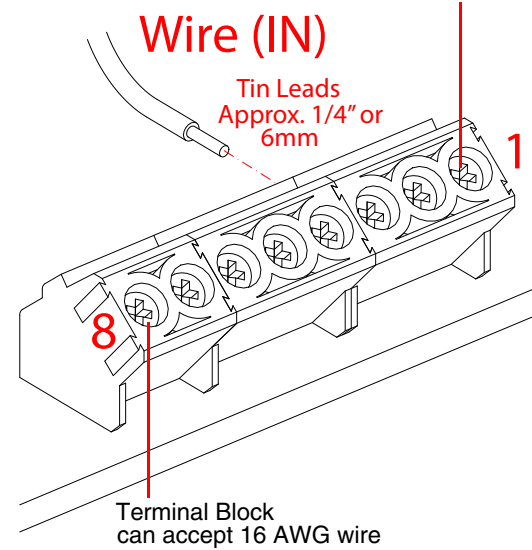


Relay Contact:

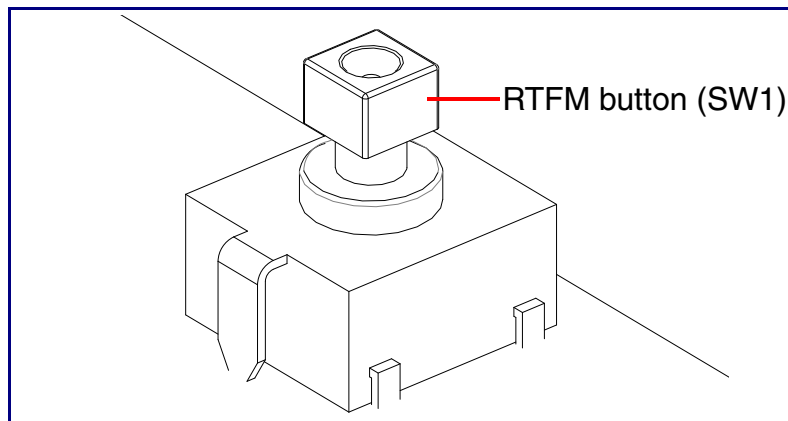
- (1 A at 30 VDC for continuous loads)
- 3 = Relay Common
- 4 = Relay Normally Open Contact
- 5 = Sense Input
- 6 = Sense Ground
- 7 = Remote Switch "A"
- 8 = Remote Switch "B"

*Contacts 1 and 2 on the terminal block are only for powering the device from a non-PoE 12VDC power source as an alternative to Network PoE power. Use of these contacts for any other purpose will damage the device and void the product warranty.

Use a 3.17 mm (1/8-inch) flat blade screwdriver for the terminal block screws



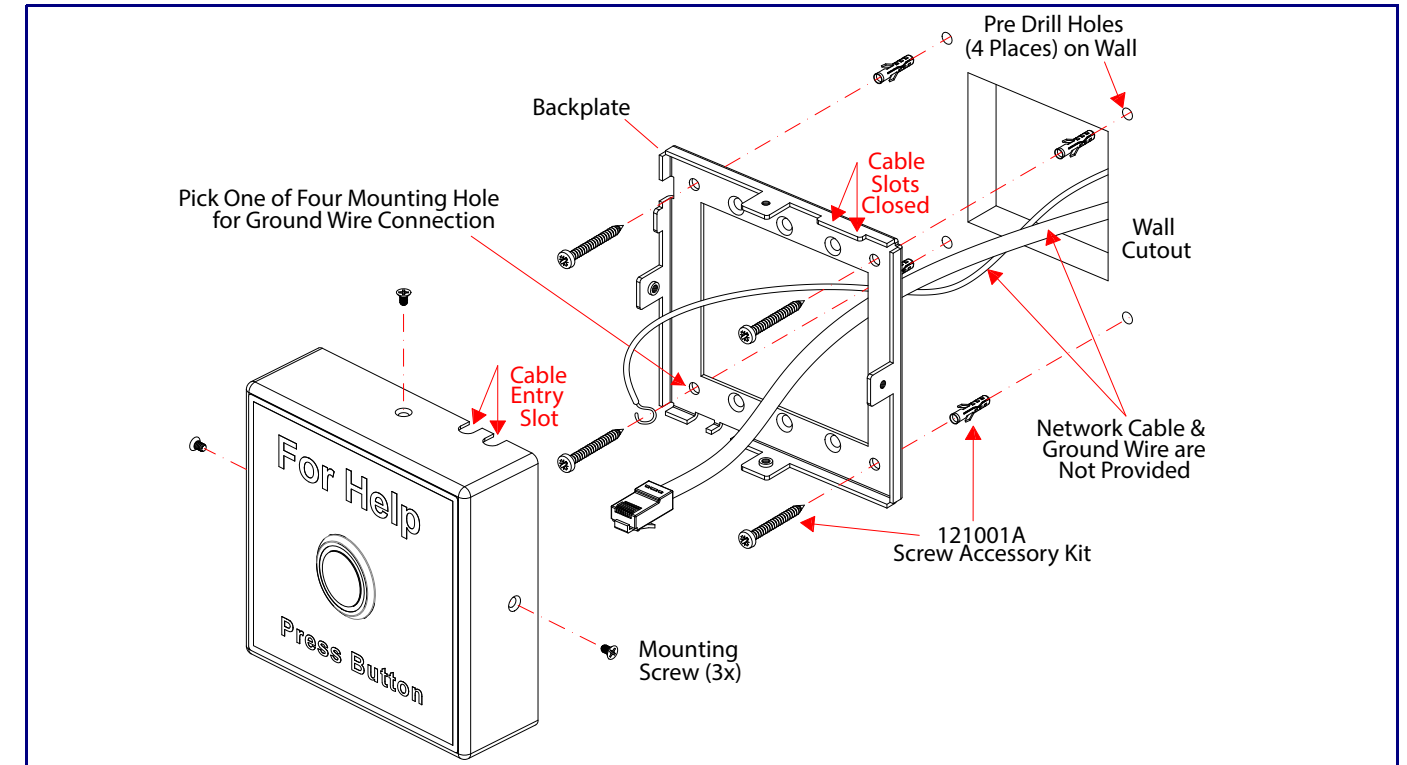
RTFM Button



To restore the device to factory default settings:

- Press and hold the RTFM button for longer than five seconds. After releasing the RTFM button, the LED button remains solid BLUE for about 17 seconds and then turns off for about 40 seconds while the device is rebooting. Once the unit is fully rebooted it will return back to solid BLUE.

Wall Mounting Options



Gang Box Mounting Options

