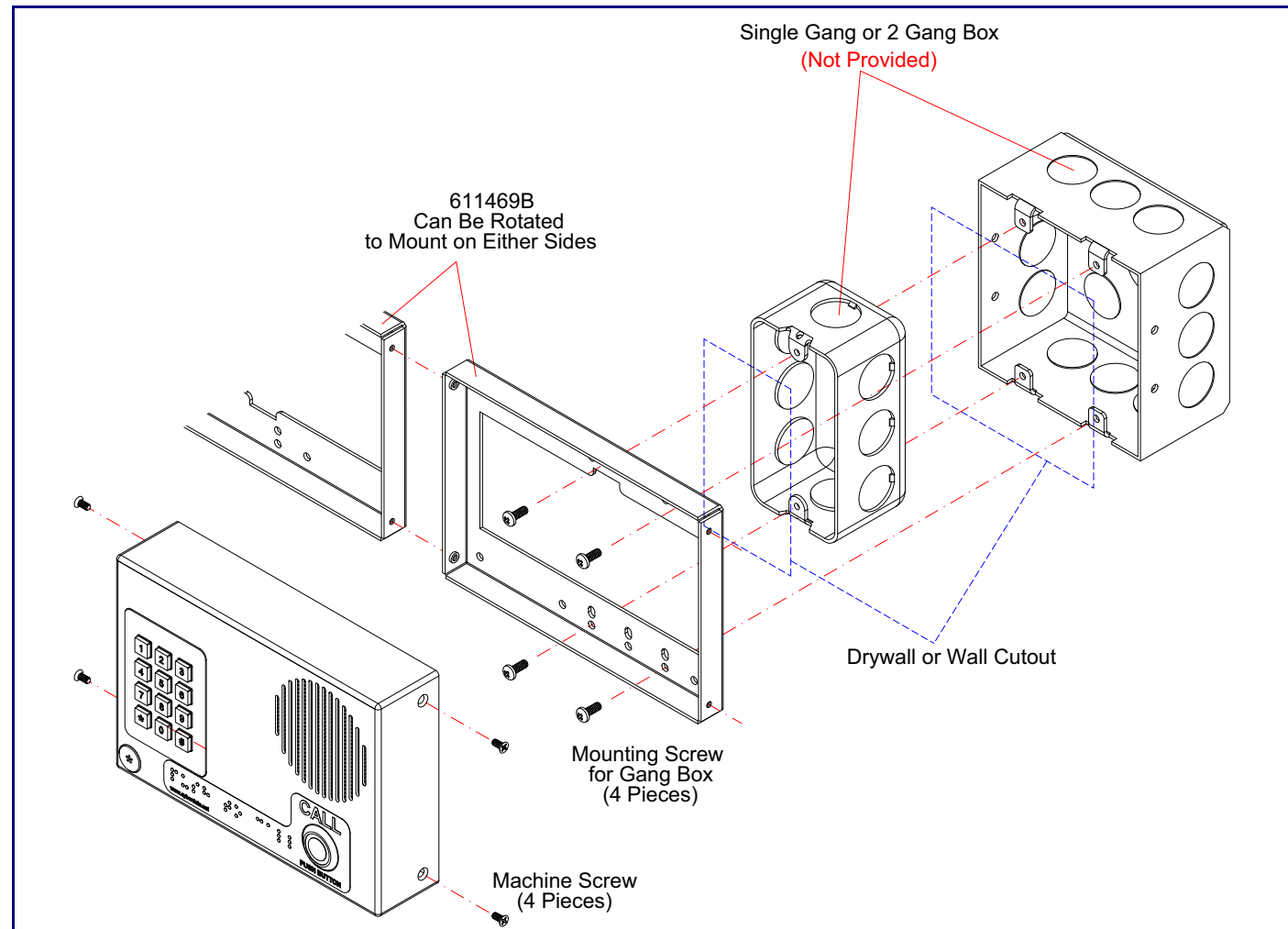


Gang Box Mounting Options



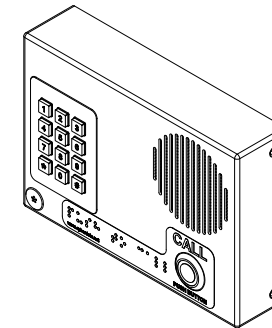
VoIP Indoor Intercom with Keypad

SIP Compliant

011113*, RAL 9003, Signal White

*Replaces the 011078 number.

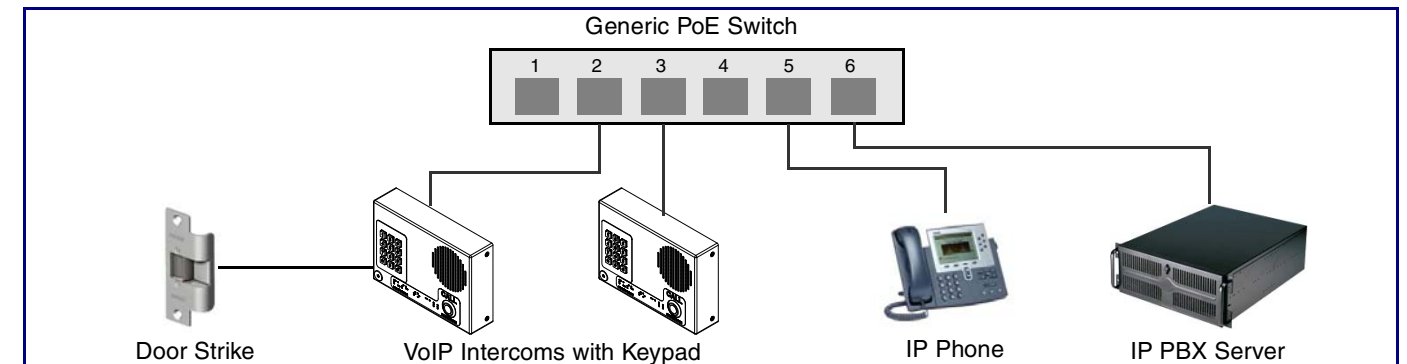
The CyberData SIP-enabled VoIP Indoor Intercom with Keypad is a Power-over-Ethernet (PoE 802.3af) and Voice-over-IP (VoIP) two-way communications device that easily connects into existing local area networks (LANs) with a single cable connection.



Parameter	Factory Default Setting
IP Addressing	DHCP
IP Address ^a	10.10.10.10
Web Access Username	admin
Web Access Password	admin
Subnet Mask ^a	255.0.0.0
Default Gateway ^a	10.0.0.1

a. Default if there is not a DHCP server present.

Typical System Installation



Getting Started

- Download the *VoIP Indoor Intercom with Keypad Operations Guide* PDF file from the **Documents** page at: <http://www.cyberdata.net/products/voip/digitalanalog/intercomkeypad/docs.html>
- Create a plan for the locations of your Intercoms.
- Prior to installation, consult local building and electrical code requirements.
- **WARNING: This enclosure is not rated for any AC voltages!**

Intercom Parts

(1) Intercom Assembly 	(1) Wall Mounting Kit 	(1) Gang Box Mounting Kit <p>* Only two screws are needed for a single gang box.</p>
----------------------------------	----------------------------------	--

Contacting CyberData

Corporate Headquarters

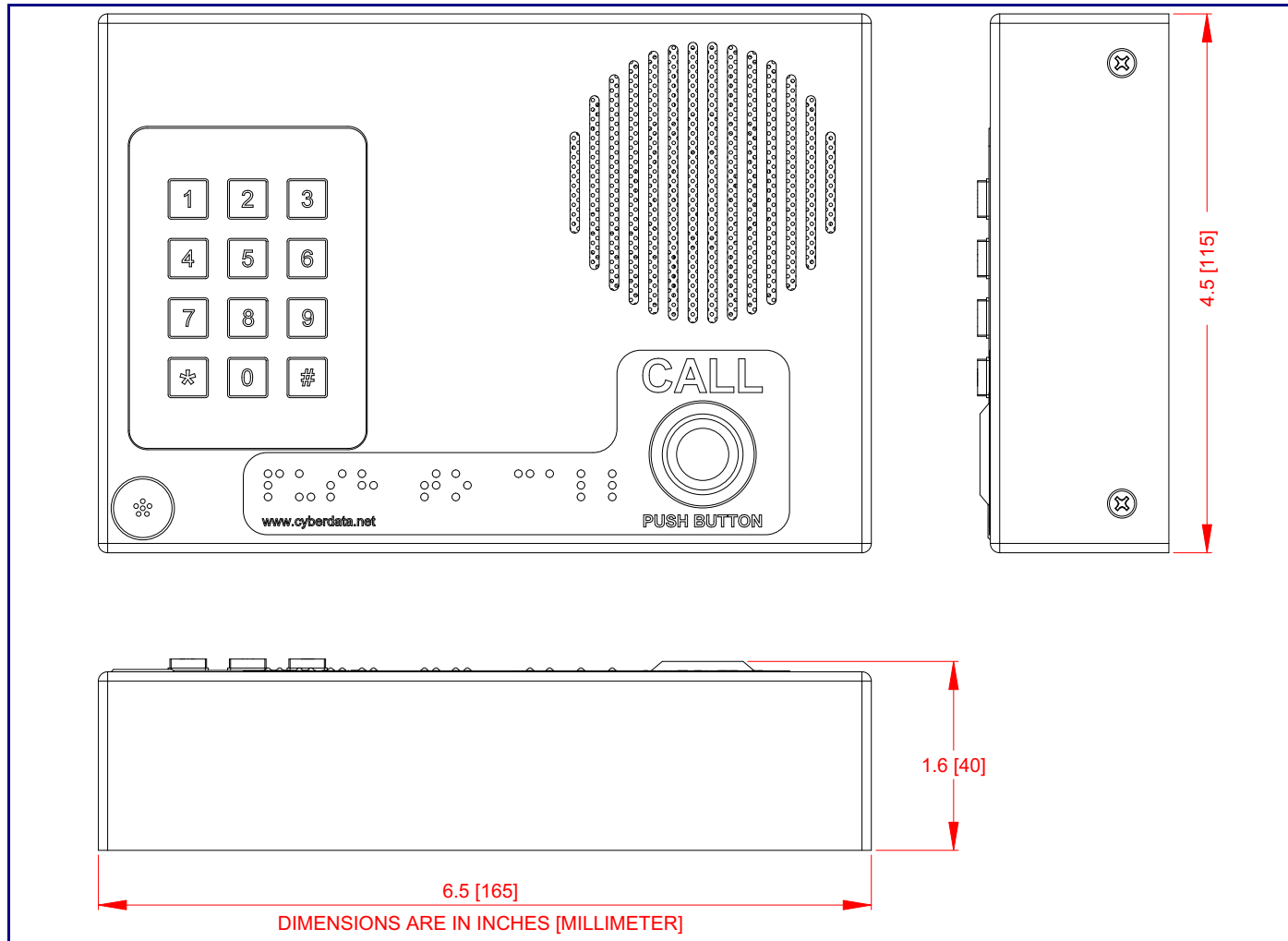
CyberData Corporation
3 Justin Court
Monterey, CA 93940, USA

Phone: 831-373-2601
Fax: 831-373-4193
www.CyberData.net

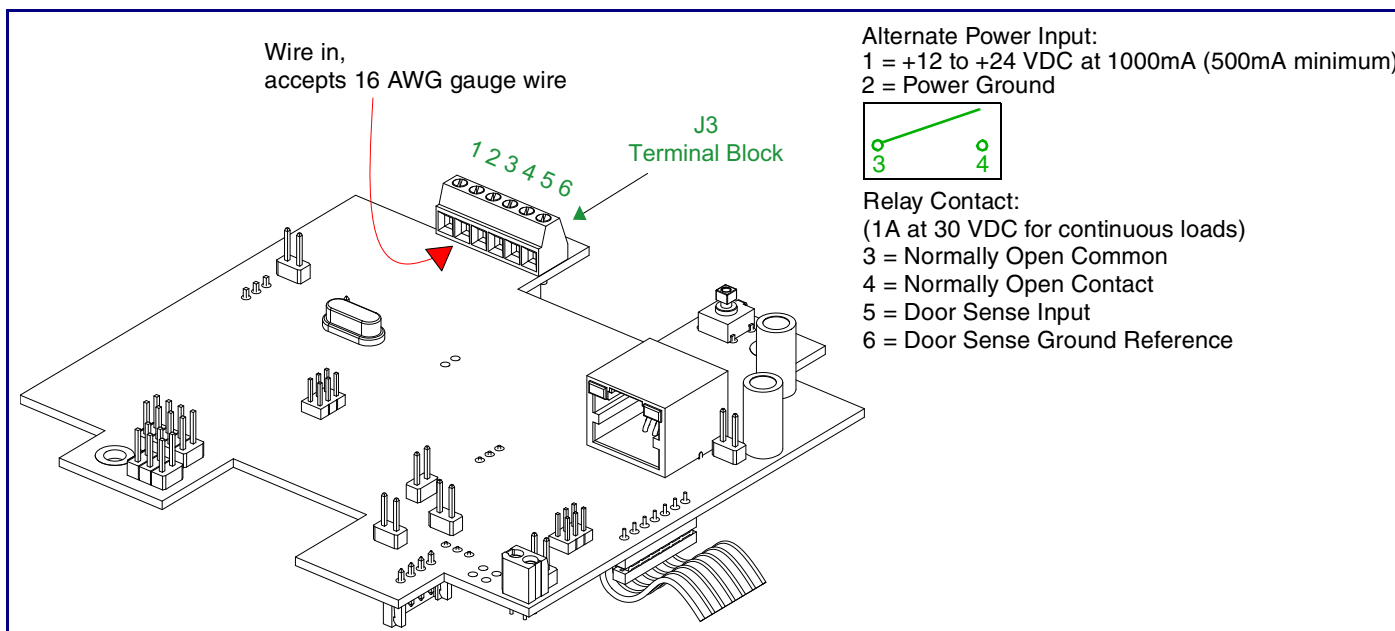
Sales: (831) 373-2601 ext. 334
Support: 831-373-2601 ext. 333
Web: <http://www.cyberdata.net/support/contactsupportvoip.html>
RMA Dept: (831) 373-2601 ext. 136
Email: RMA@CyberData.net
RMA Status: <http://www.cyberdata.net/support/rmastatus.html>

Warranty information is available at:
Web: <http://www.cyberdata.net/support/warranty/index.html>

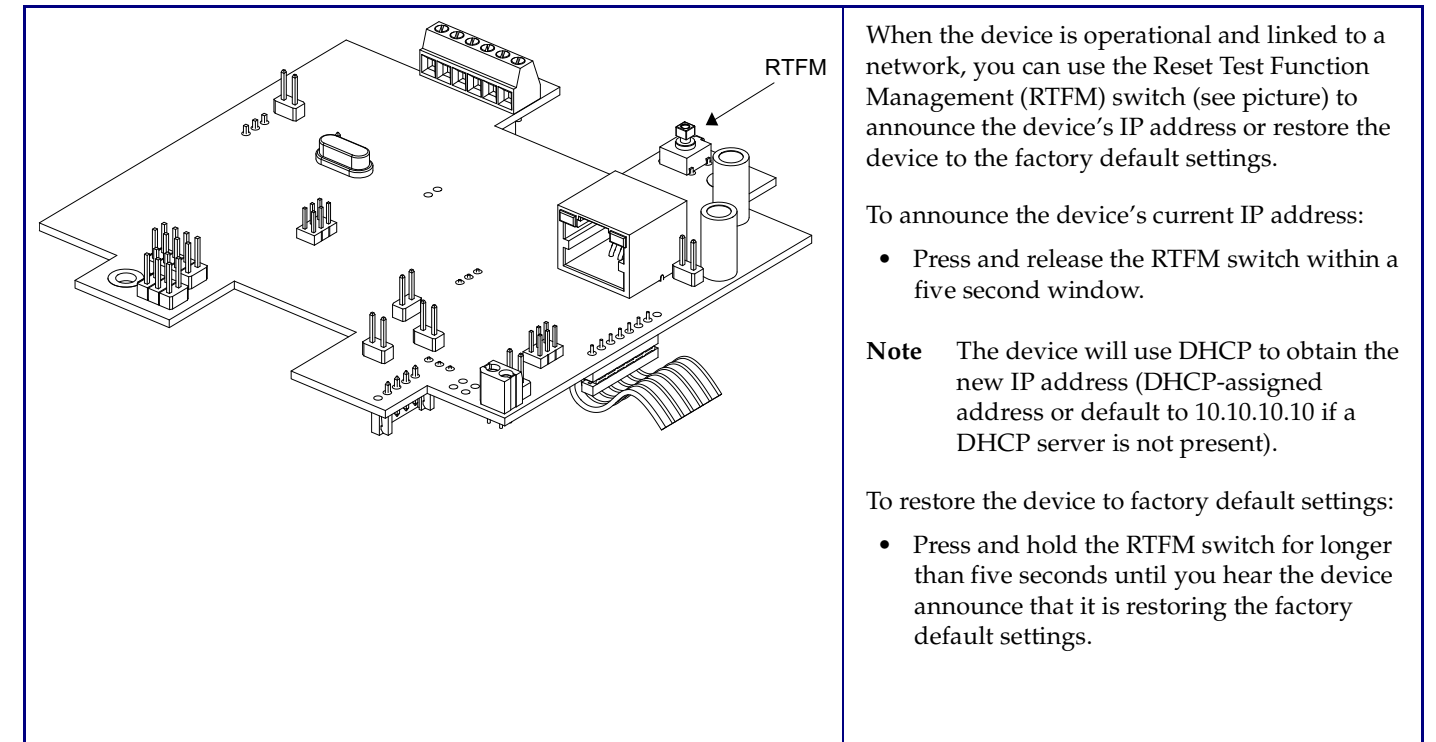
Dimensions



Terminal Block Connections



RTFM Switch



Wall Mounting Options

