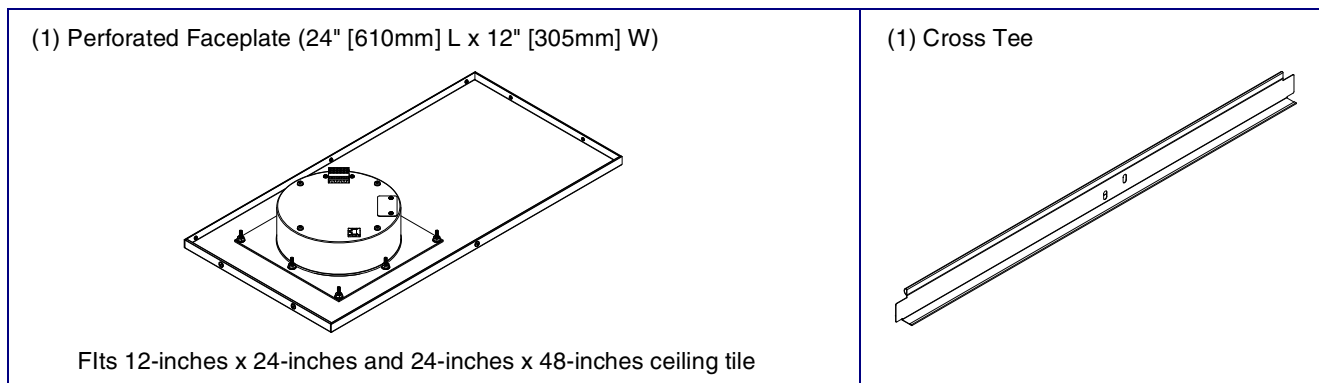


# Ceiling Tile Drop-In Speaker

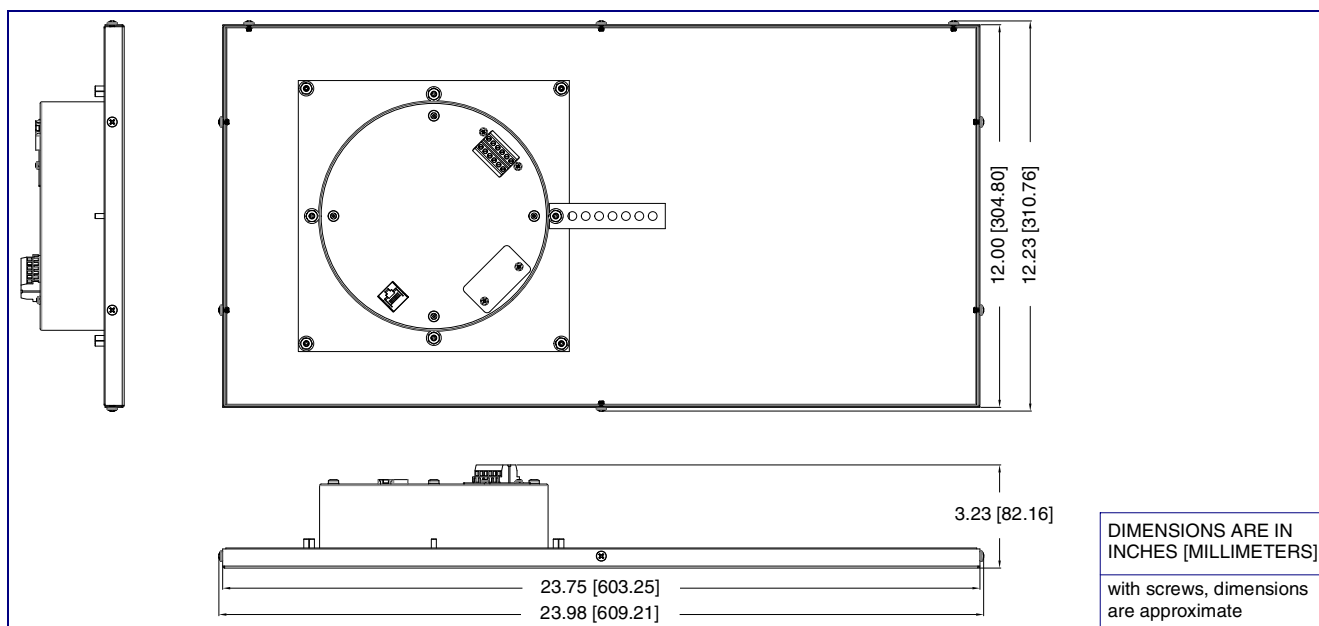
## 011128

The Ceiling Tile Drop-In Speaker is an adapter that is built for a CyberData Ceiling speaker.

### Parts



### Dimensions

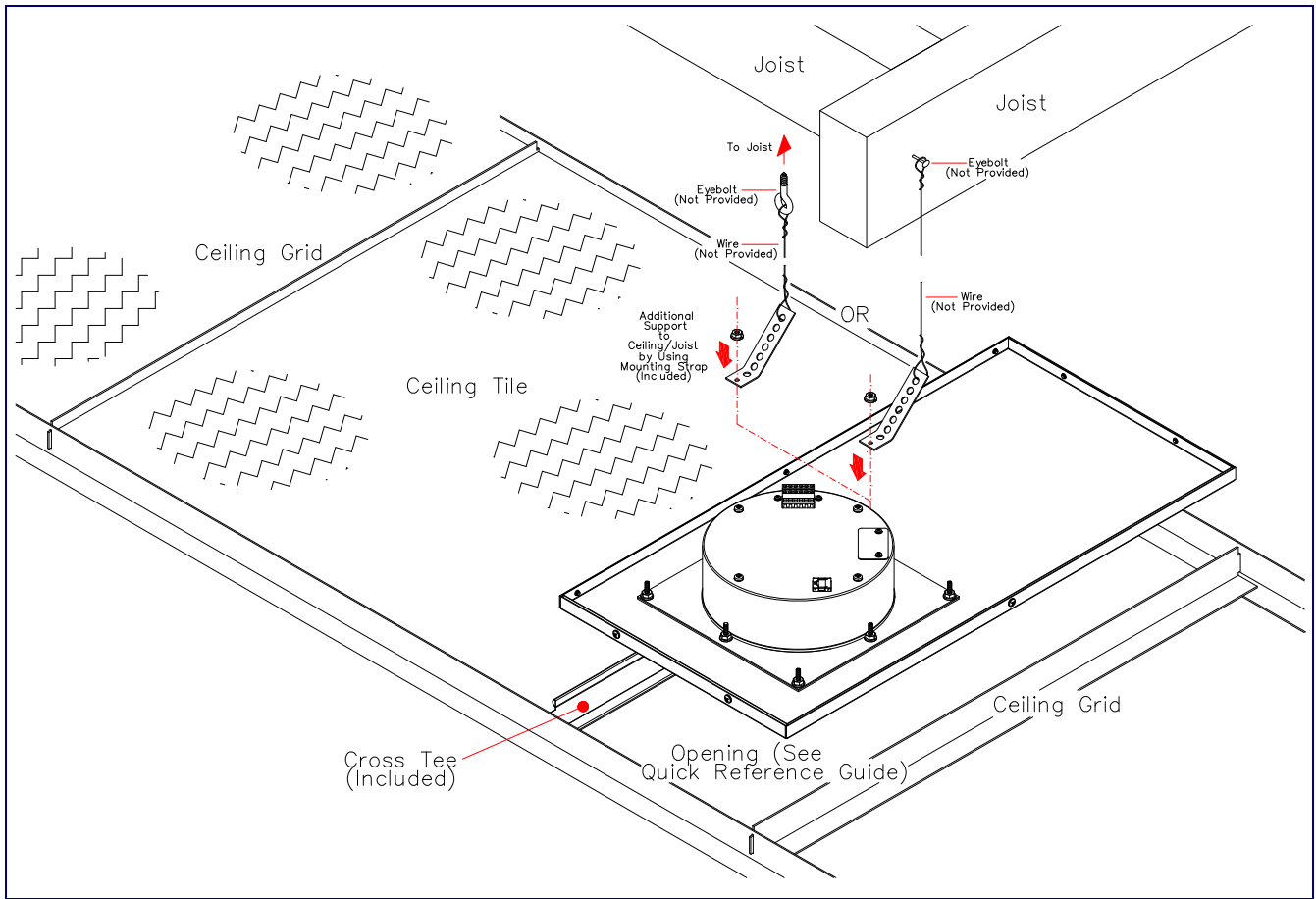


### Procedure

To install the Ceiling Tile Drop-In Speaker, refer to the drawing in the "[Installing the Ceiling Tile Drop-In Speaker](#)" section on the other side of this document. Complete the following steps:

1. Remove the ceiling tile from the ceiling (T-tracks).
2. For 2ft. x 4 ft. tile space, cut the ceiling tile to 35-1/2" long or for a 2 ft. x 2ft. tile space, cut to 11-1/2" long.
3. Place the speaker in the ceiling with the tile support rail crossbar facing the ceiling tile opening.
4. Drop in the tile.

## Installing the Ceiling Tile Drop-In Speaker



## Contacting CyberData

### Corporate Headquarters

CyberData Corporation  
3 Justin Court  
Monterey, CA 93940, USA

Phone: 831-373-2601  
Fax: 831-373-4193  
www.CyberData.net

Sales: (831) 373-2601 ext. 334  
Support: 831-373-2601 ext. 333  
Web: <http://www.cyberdata.net/support/contactsupportvoip.html>  
RMA Dept: (831) 373-2601 ext. 136  
Email: [RMA@CyberData.net](mailto:RMA@CyberData.net)  
RMA Status: <http://www.cyberdata.net/support/rmastatus.html>

Warranty and RMA information is available at the following website:  
<http://www.cyberdata.net/support/warranty/index.html>