

## Mounting Options—Metal Bracket

To be installed and or used in accordance with the appropriate electrical codes and regulations.

**Wall Plate Mounting Bracket (Metal)**

**Tools Required:** Wall board saw, Pliers

**Instructions:**

1. Use the inside area of the bracket to trace the hole cut onto the wall.
2. Using a wall board saw or matt knife, cut along the stencil line.
3. Place bracket against the wall opening.
4. Bend tabs up and down against the inside wall to secure the bracket.
5. Place the optional gasket over the metal bracket.
6. Mount the flush mount wall plate to the bracket.

## Mounting Options—Plastic Bracket

To be installed and or used in accordance with the appropriate electrical codes and regulations.

**Wall Plate Mounting Bracket (Plastic)**

**Tools Required:** Wall board saw, Philips screwdriver

**Instructions:**

1. Use the inside area of the bracket to trace the hole cut onto the wall.
2. Using a wall board saw or matt knife, cut along the stencil line.
3. Place bracket through the wall opening.
4. Tighten screws to pull Flagnuts against the inside wall to secure the bracket.
5. Place the optional gasket over the plastic bracket.
6. Mount the flush mount wall plate to the bracket.

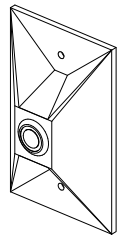
## Contacting CyberData

### Corporate Headquarters

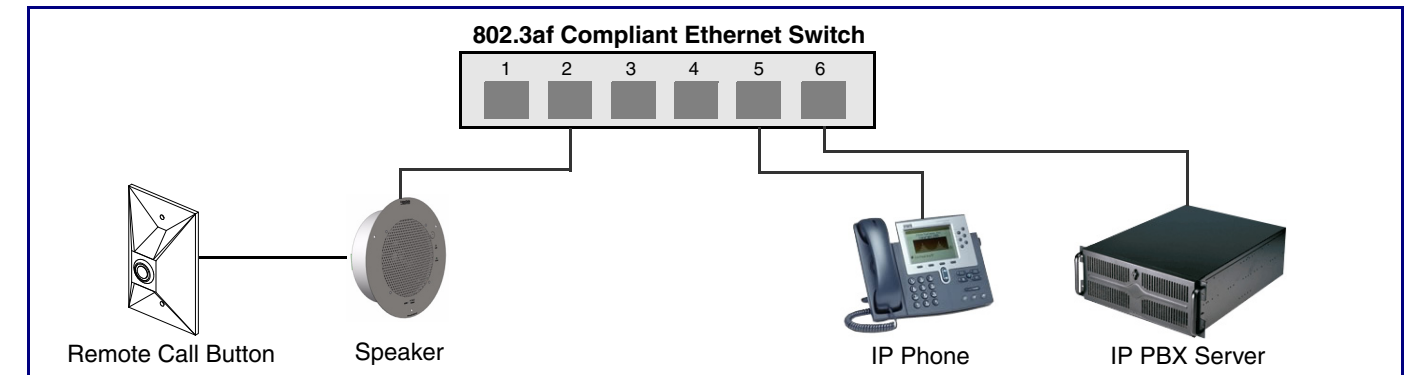
CyberData Corporation  
3 Justin Court  
Monterey, CA 93940, USA

Phone: 831-373-2601  
Fax: 831-373-4193  
<http://www.cyberdata.net/>

Sales: (831) 373-2601 ext. 334  
Support: 831-373-2601 ext. 333  
Support Website: <http://support.cyberdata.net/>  
RMA Department: (831) 373-2601 ext. 136  
RMA Email: [RMA@CyberData.net](mailto:RMA@CyberData.net)  
RMA Status: <http://support.cyberdata.net/>  
Warranty Information: <http://support.cyberdata.net/>



## Typical Installation



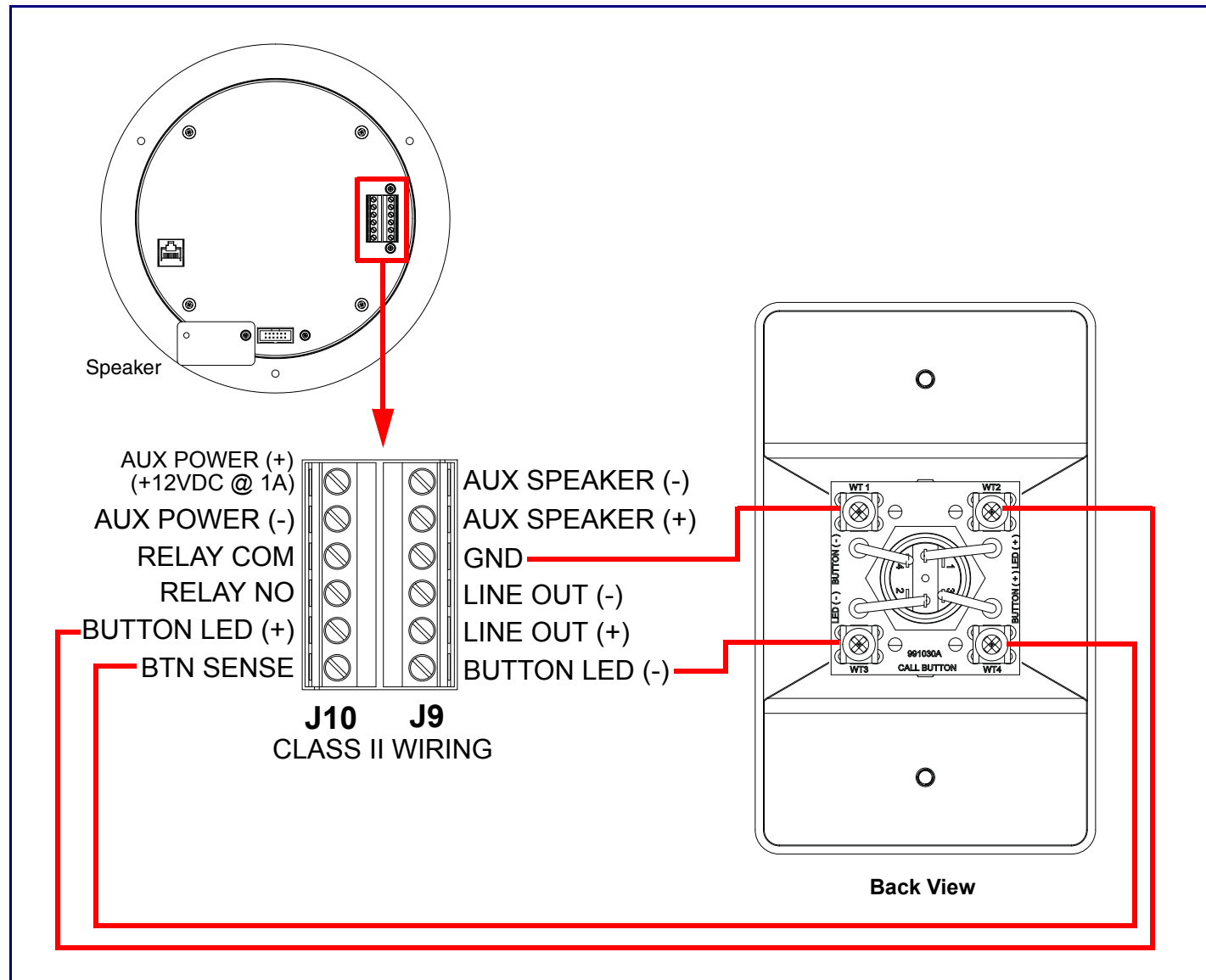
## Getting Started

- Download the *VoIP Remote Call Button Operations Guide* PDF file from the **Documentation** page at: <http://www.cyberdata.net/products/voip/accessories/remotobutton/docs.html>
- Create a plan for the locations of your speakers.
- **WARNING:** This product should be installed by a licensed electrician according to all local electrical and building codes.
- **WARNING:** To prevent injury, this apparatus must be securely attached to the floor/wall in accordance with the installation instructions.
- **WARNING:** The PoE connector is intended for intra-building connections only and does not route to the outside plant.
- **WARNING:** The Call Button enclosure is not rated for any AC voltages!

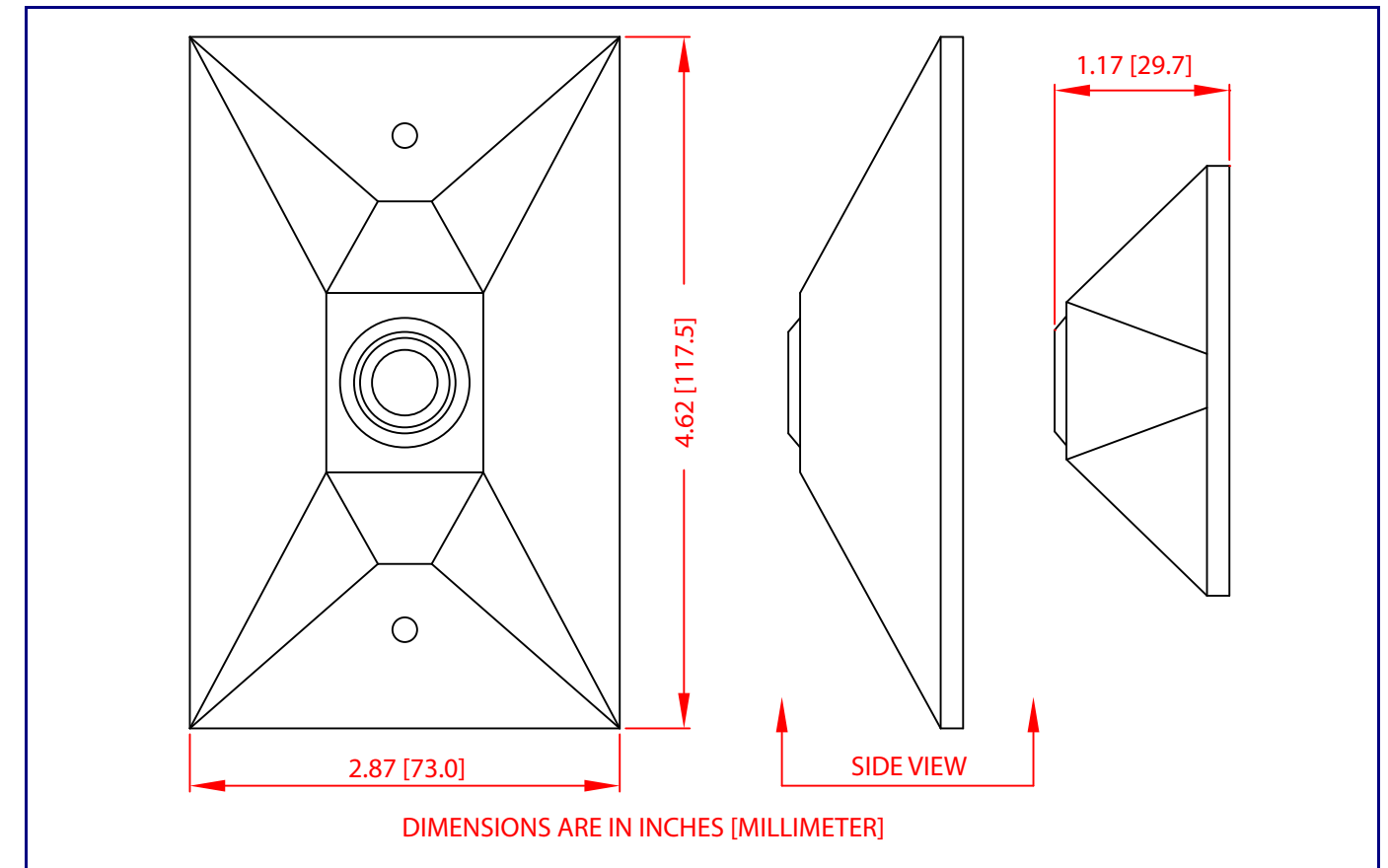
## Parts

<p><b>(1) Call Button Assembly</b></p>	<p><b>Optional Parts (Not Included)</b></p> <p>(1) Optional Gasket</p>	<p>(1) Optional One-Gang Box (Metal)</p>	<p>(1) Optional One-Gang Box (Plastic)</p>
<p><b>(1) Wall Mounting Kit</b></p> <p>(2) Mounting screws</p>	<p>(1) Optional One-Gang, Low Voltage, Mounting Bracket (Metal)</p>	<p>(1) Optional One-Gang, Low Voltage, Mounting Bracket (Plastic)</p>	

## Connections



## Dimensions



## Mounting Options—One-Gang Box (Metal or Plastic)

