

Connecting and Sealing the Intercom

Network and Grounding Installation

Proper Gang Box Sealing

Properly seal the intercom to prevent the accumulation of dust and moisture. Critical areas are shown in the image above: the conduit hole, all screw holes and an application of sealant around the perimeter.

Securing the Intercom

Caution
Equipment Hazard: Do not use an electric or power screwdriver to fasten the face plate and PCB assembly to the gang box. To prevent over-torque damage to the gasket, do not apply more than 10 inch-pounds force. Over-torquing will cause the gasket to tear, risk moisture intrusion, and effectively void the manufacturer's warranty.

Note: To mount the intercom, use methods compliant with local electrical codes.

Note: More installation and mounting information is illustrated in the Operations Guide.

Properly seal the intercom to prevent the accumulation of dust and moisture. Critical areas are shown in the image above: the conduit hole, all screw holes and an application of sealant around the perimeter.

Contacting CyberData

Corporate Headquarters	
CyberData Corporation 3 Justin Court Monterey, CA 93940, USA Phone: 831-373-2601 Fax: 831-373-4193 http://www.cyberdata.net/	Sales: (831) 373-2601 ext. 334 Support: 831-373-2601 ext. 333 Support Website: http://support.cyberdata.net/ RMA Department: (831) 373-2601 ext. 136 RMA Email: RMA@CyberData.net RMA Status: http://support.cyberdata.net/ Warranty Information: http://support.cyberdata.net/

Installation Quick Reference

SIP Outdoor Intercom

SIP Compliant

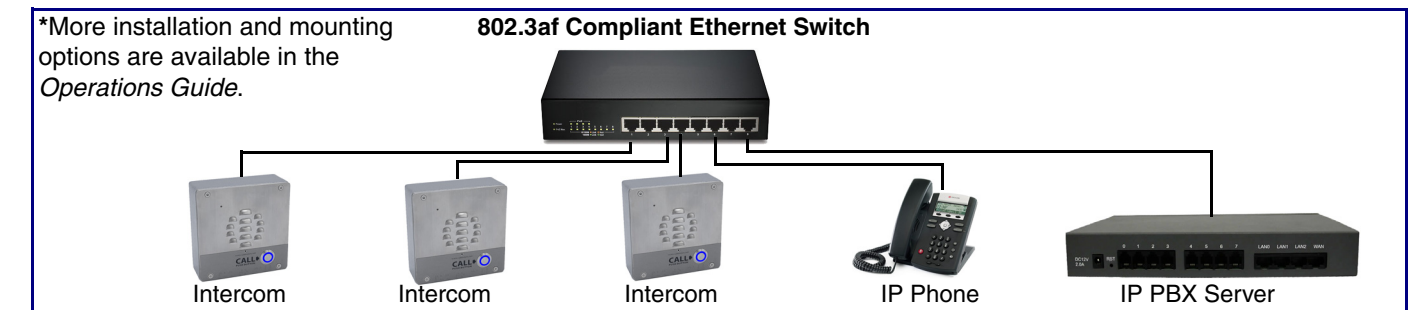
011186



Parameter	Factory Default Setting
IP Addressing	DHCP
IP Address ^a	10.10.10.10
Web Access Username	admin
Web Access Password	admin
Subnet Mask ^a	255.0.0.0
Default Gateway ^a	10.0.0.1

a. Default if there is not a DHCP server present.

Typical System Installation



Getting Started

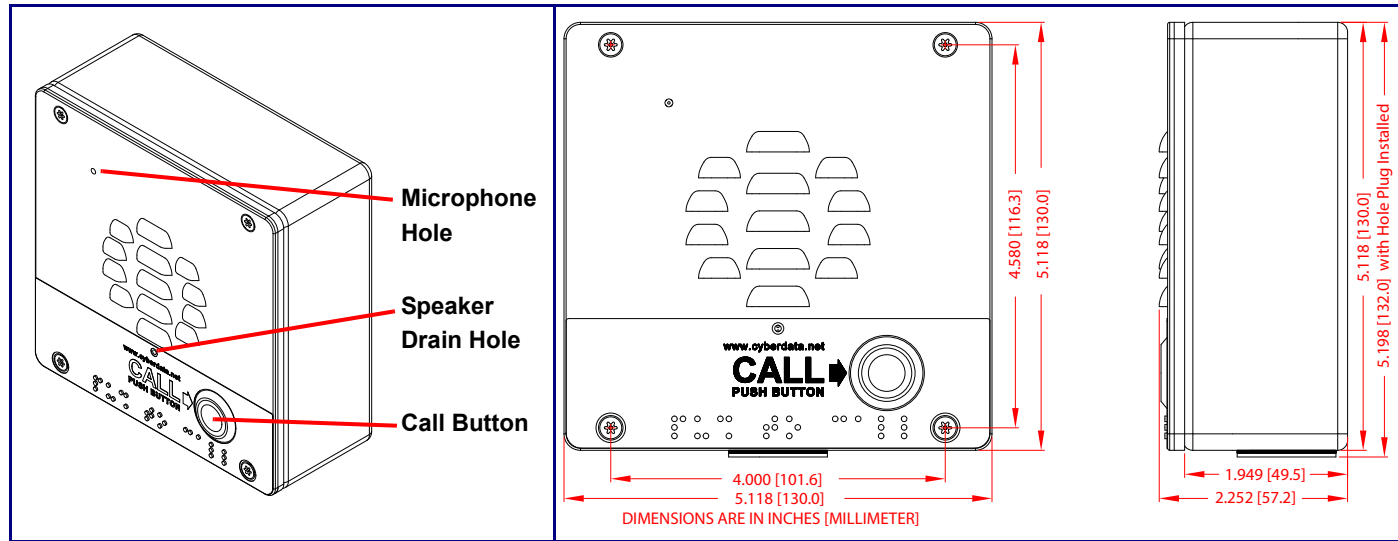
- Download the *Operations Guide* PDF file, from the **Downloads** tab at the following webpage:
<https://www.cyberdata.net/products/011186>
- Create a plan for the locations of your Intercoms.
- **WARNING:** This product should be installed by a licensed electrician according to all local electrical and building codes.
- **WARNING:** To prevent injury, this apparatus must be securely attached to the floor/wall in accordance with the installation instructions.
- **WARNING:** The PoE connector is intended for intra-building connections only and does not route to the outside plant.
- **WARNING:** This enclosure is not rated for any AC voltages!
- **WARNING:** Failure to properly seal intercom can compromise the IP rating. Should the product be exposed to water damage, it will be treated as an out of warranty scenario due to improper installation.

Parts

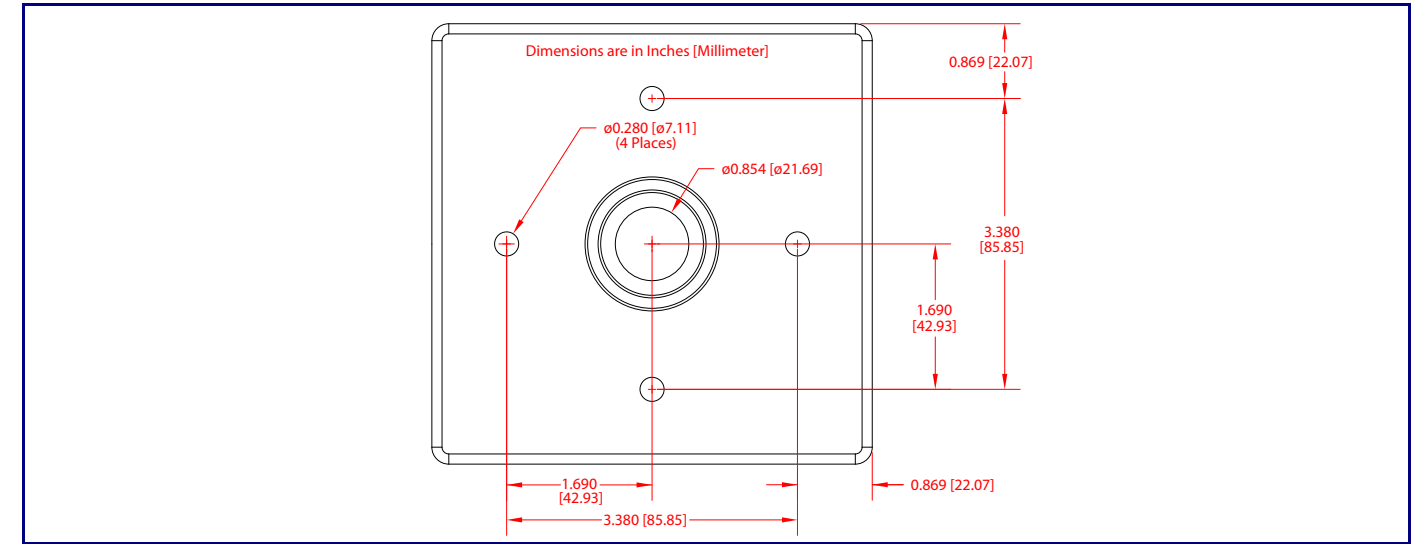
<p>(1) Intercom Assembly</p>	<p>(1) T-15H Torx Key</p> <p>(4) Security Torx Screw</p>	<p>Optional Accessories (for gooseneck mounting)</p> <p>(4) Carriage bolt nuts</p> <p>(4) Carriage bolts</p> <p>(4) Carriage bolt washers</p>	<p>Optional Accessories</p> <p>(1) Spacer for half-inch set conduit connector</p> <p>(1) 531085* hole plug assembly</p>
-------------------------------------	--	--	--

Features

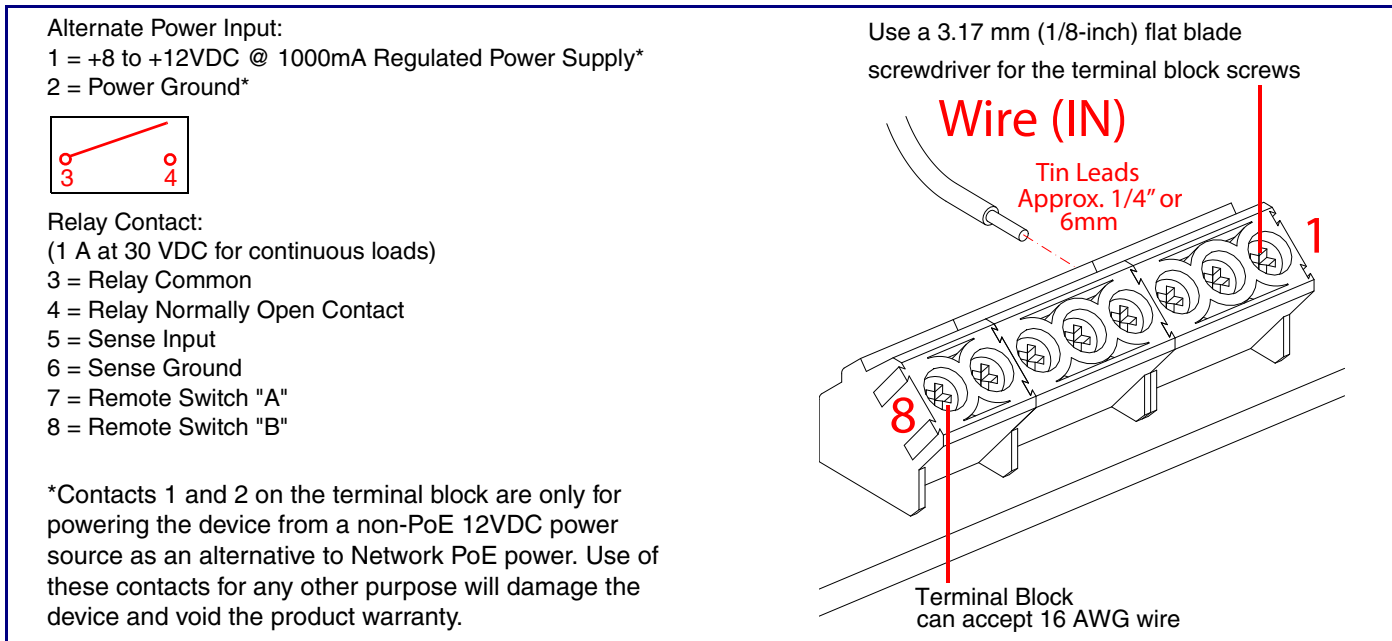
Dimensions (Front and Side View)



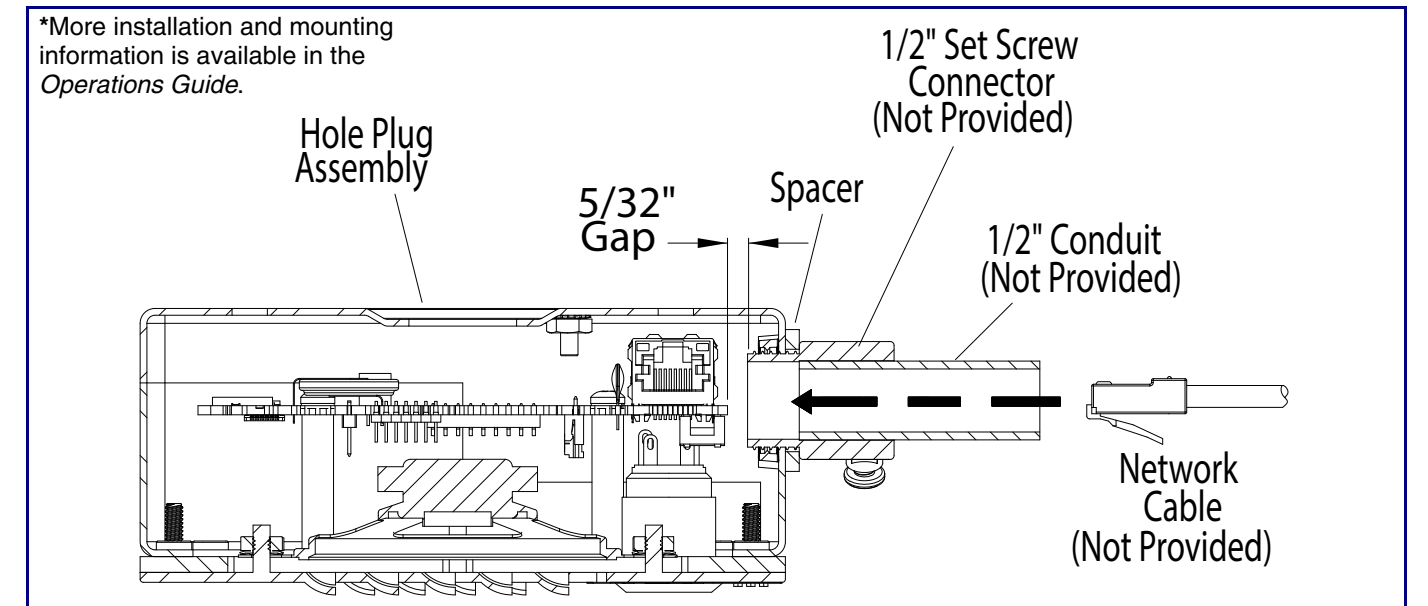
Dimensions (Rear View and Mounting Holes)



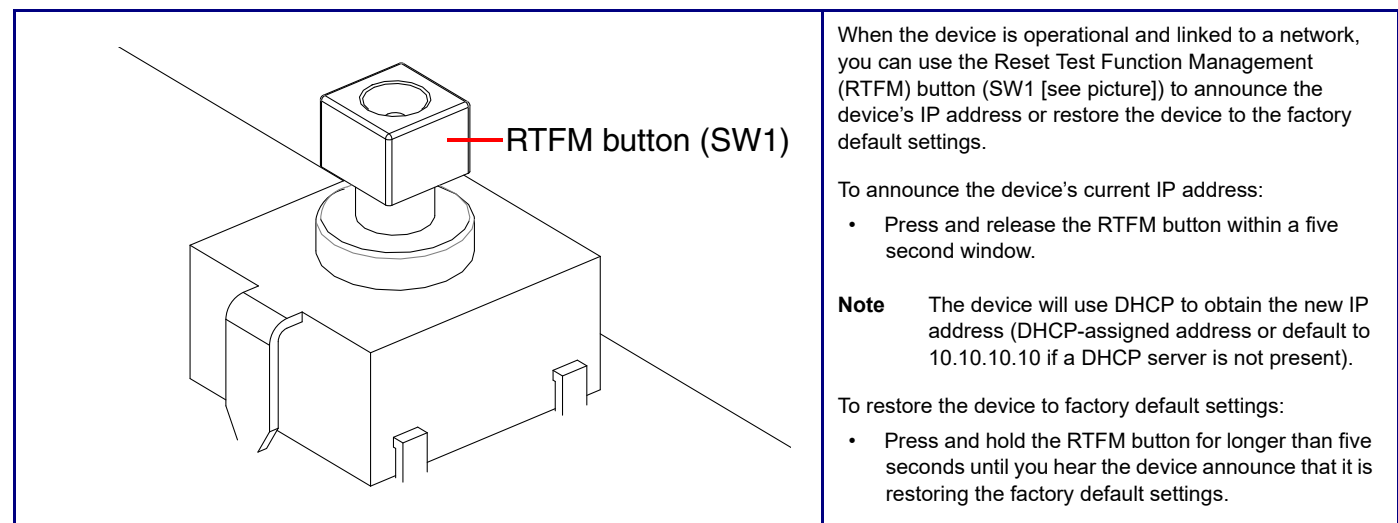
Terminal Block Connections



Conduit Mounting Restrictions (Side Entry)



RTFM Button



Conduit Mounting Restrictions (Rear Entry)

