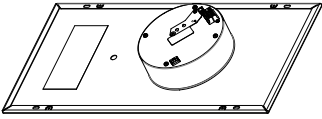

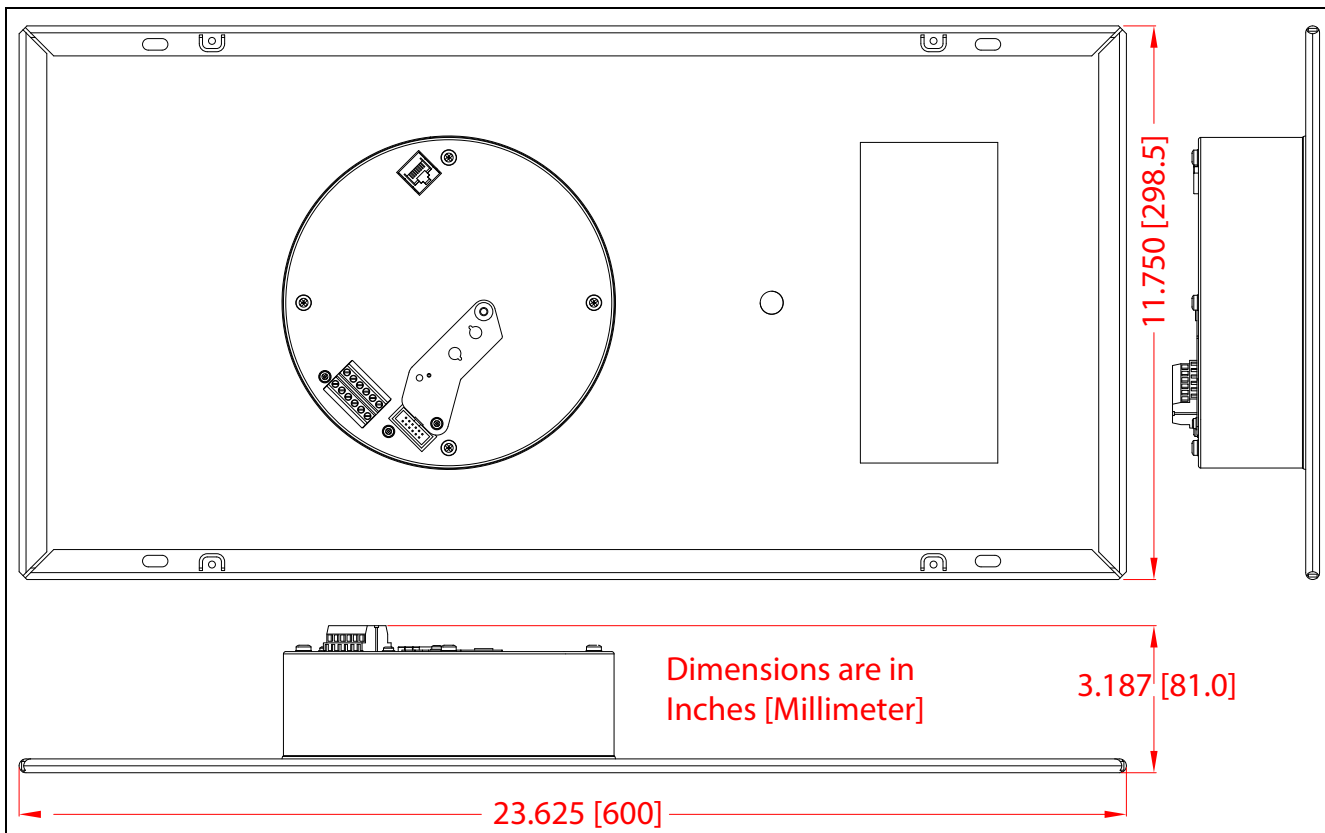


# Syn-Apps Ceiling Tile Drop-In Speaker 011200

## Parts

<p>(1) 1 x 2 Ceiling Tile Speaker Assembly</p>  <p>Fits 12-inches x 24-inches and 24-inches x 48-inches ceiling tile</p>	<p>(1) Cross Tee</p> 
---	--

## Dimensions



## Contacting Syn-Apps

### Corporate Headquarters

Syn-Apps LLC  
2812 N Norwalk  
Suite 112  
Mesa, AZ 85215

Phone: 480-664-6071 / 866-664-6071  
Fax: 480-659-8999 / 866-659-8999

Website: [www.syn-apps.com](http://www.syn-apps.com)

Sales: [sales@syn-apps.net](mailto:sales@syn-apps.net)

Support: <http://www.syn-apps.com/resources/support>

Email: <http://www.syn-apps.com/contact-us>

## Installation Procedure

To install the Syn-Apps Ceiling Tile Drop-In Speaker, complete the following steps while referencing the figure below:

1. Remove the Ceiling Tile (Showing a 2 x 2 Grid) from the Ceiling Grid then Cut it in Half.
2. Place the Cross T in the Middle to Support the Weak Side of the Ceiling Tile.
3. Replace the Ceiling Tile on to the Ceiling Grid.
4. Use a Flat Blade Screwdriver to Pry Up the Seismic Tether Bracket(s) on the 1 x 2 Ceiling Tile Speaker Assembly.
5. Install Eyebolt(s) or Nail(s) to the Joist.
6. Connect the Network Cable to the Network Port and Wire(s) to the Terminal Block, etc. to the 1 x 2 Ceiling Tile Speaker Assembly.
7. Use Steel Wire(s) to Connect Seismic Tether Bracket(s) to the Eyebolt(s) or Nail(s). Place the 1 x 2 Ceiling Tile Speaker Assembly on to the Ceiling Grid and the Cross T.

## Installing the Syn-Apps Ceiling Tile Drop-In Speaker

