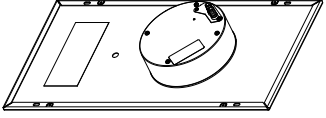

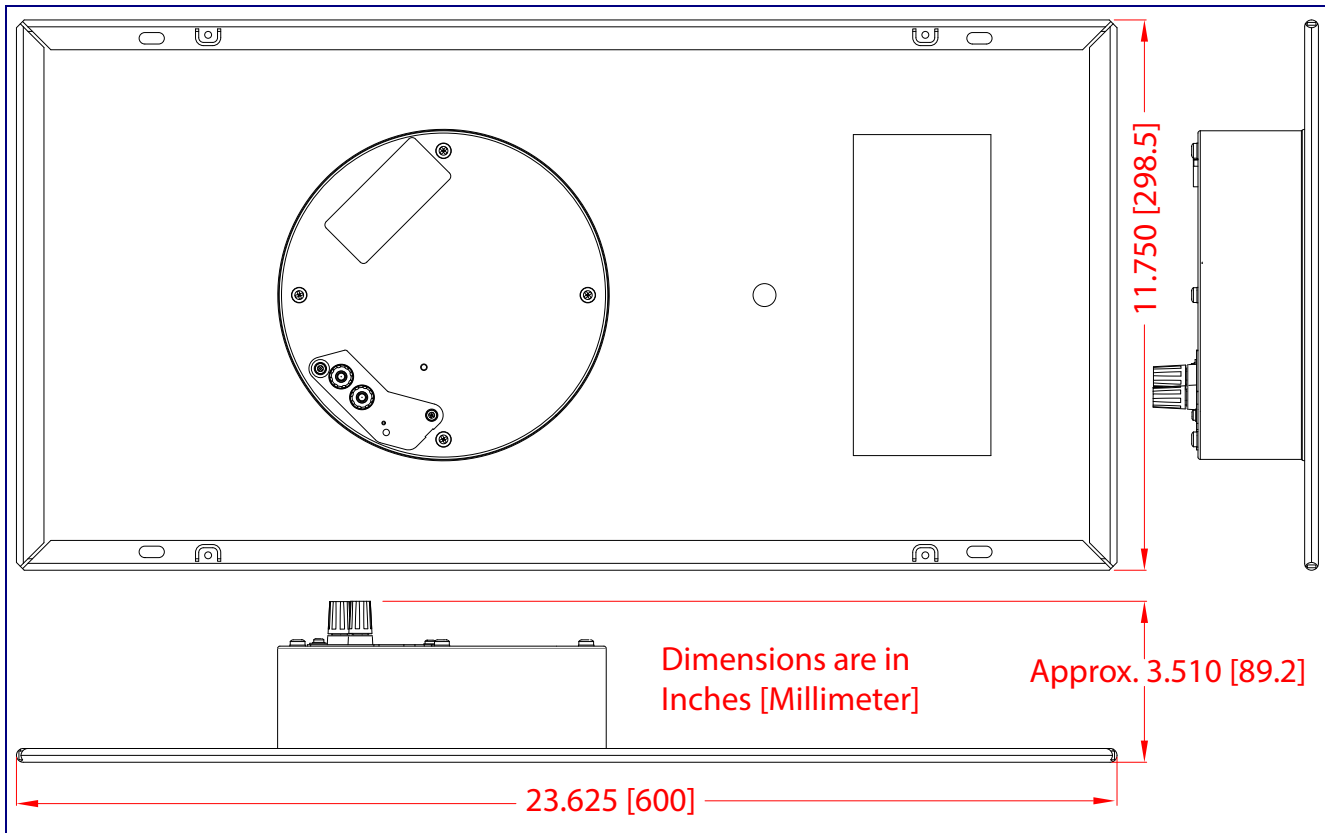


# Ceiling Tile Auxiliary Analog Drop-In Speaker 011201

## Parts

<p>(1) 1 x 2 Ceiling Tile Speaker Assembly</p>  <p>Fits 12-inches x 24-inches and 24-inches x 48-inches ceiling tile</p>	<p>(1) Cross Tee</p> 
---	--

## Dimensions



## Contacting CyberData

### Corporate Headquarters

CyberData Corporation  
3 Justin Court  
Monterey, CA 93940, USA

Phone: 831-373-2601  
Fax: 831-373-4193  
<http://www.cyberdata.net/>

Sales: (831) 373-2601 ext. 334  
Support: 831-373-2601 ext. 333  
Support Website: <http://support.cyberdata.net/>  
RMA Department: (831) 373-2601 ext. 136  
RMA Email: [RMA@CyberData.net](mailto:RMA@CyberData.net)  
RMA Status: <http://support.cyberdata.net/>  
Warranty Information: <http://support.cyberdata.net/>

## Installation Procedure

To install the Ceiling Tile Auxiliary Analog Drop-In Speaker, complete the following steps while referencing the figure below:

1. Remove the Ceiling Tile (Showing a 2 x 2 Grid) from the Ceiling Grid then Cut it in Half.
2. Place the Cross T in the Middle to Support the Weak Side of the Ceiling Tile.
3. Replace the Ceiling Tile on to the Ceiling Grid.
4. Use a Flat Blade Screwdriver to Pry Up the Seismic Tether Bracket(s) on the 1 x 2 Ceiling Tile Speaker Assembly.
5. Install Eyebolt(s) or Nail(s) to the Joist.
6. Connect the Network Cable to the Network Port and Wire(s) to the Terminal Block, etc. to the 1 x 2 Ceiling Tile Speaker Assembly.
7. Use Steel Wire(s) to Connect Seismic Tether Bracket(s) to the Eyebolt(s) or Nail(s). Place the 1 x 2 Ceiling Tile Speaker Assembly on to the Ceiling Grid and the Cross T.

## Installing the Ceiling Tile Auxiliary Analog Drop-In Speaker

