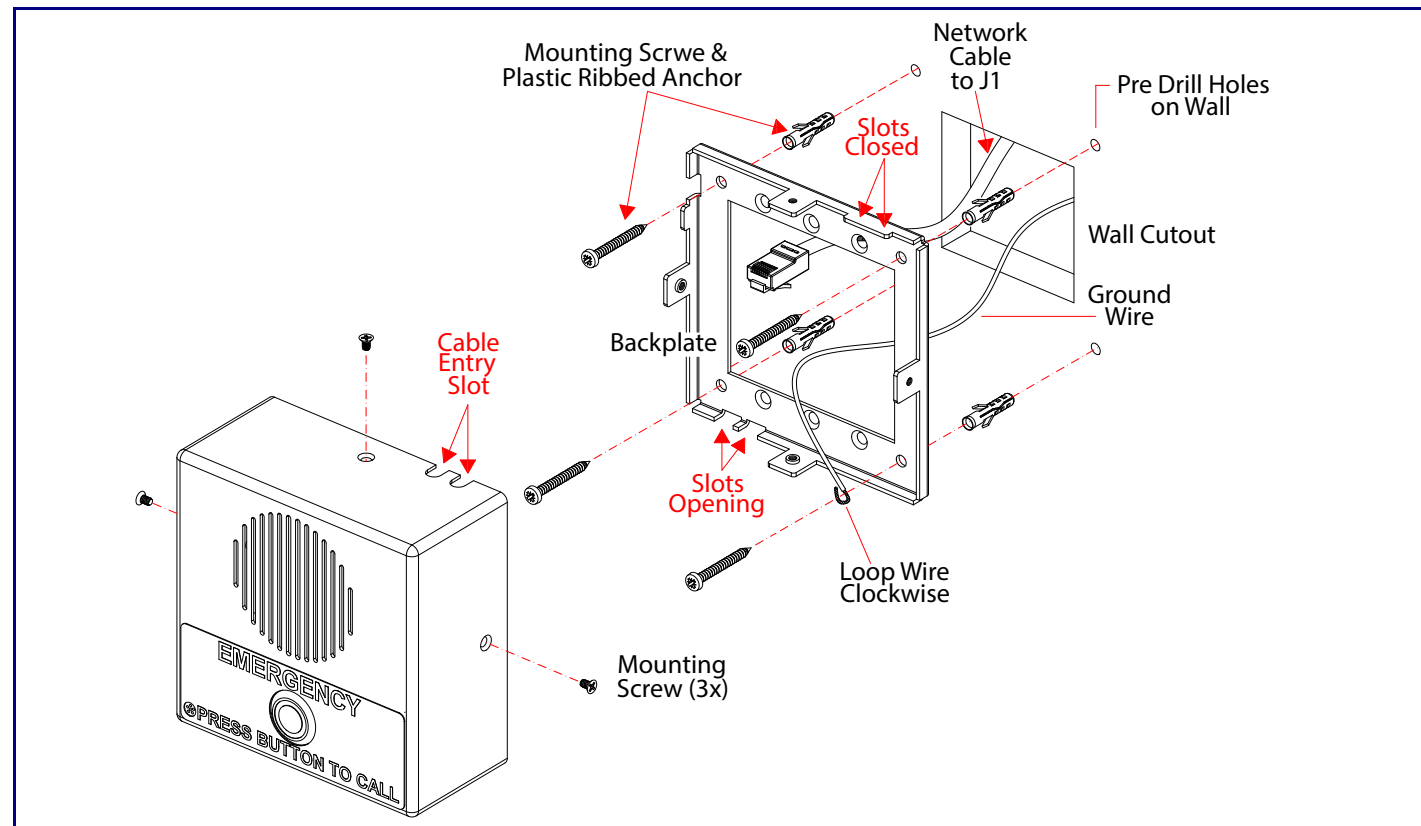
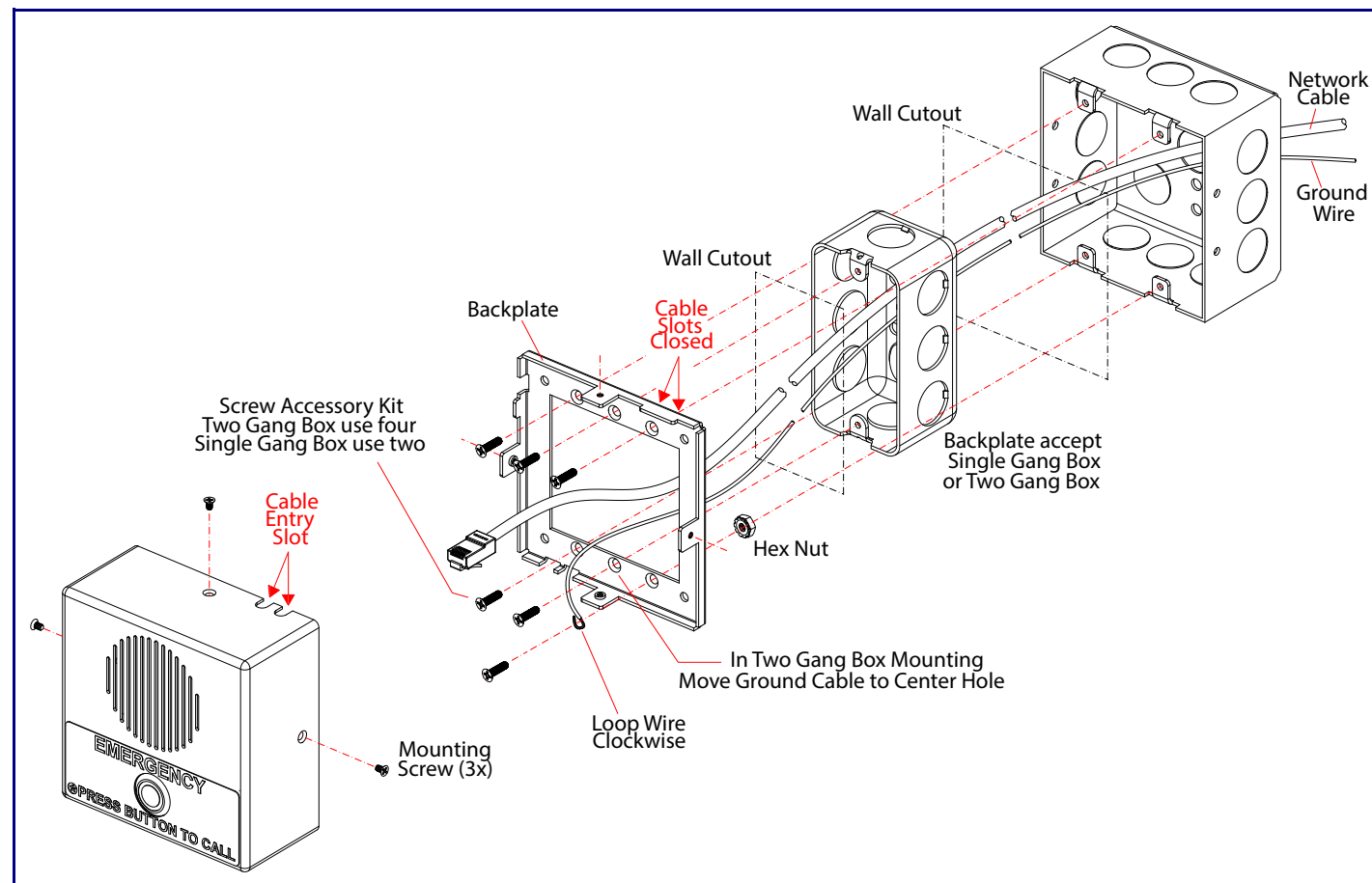


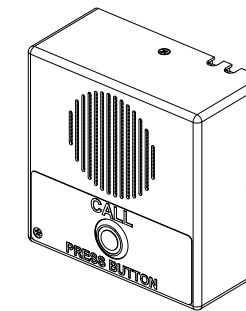
Wall Mounting Options



Gang Box Mounting Options



CyberData *Installation Quick Reference* The IP Endpoint Company *SIP Indoor Intercom* **011211**






Parameter	Factory Default Setting
IP Addressing	DHCP
IP Address ^a	192.168.1.23
Web Access Username	admin
Web Access Password	admin
Subnet Mask ^a	255.255.255.0
Default Gateway ^a	192.168.1.1

a. Default if there is not a DHCP server present.

Getting Started

- Download the *Operations Guide* PDF file, from the **Downloads** tab at the following webpage:
<https://www.cyberdata.net/products/011211>
- Create a plan for the locations of your Intercoms.
- **WARNING:** This product should be installed by a licensed electrician according to all local electrical and building codes.
- **WARNING:** To prevent injury, this apparatus must be securely attached to the floor/wall in accordance with the installation instructions.
- **WARNING:** The PoE connector is intended for intra-building connections only and does not route to the outside plant.
- **WARNING:** This enclosure is not rated for any AC voltages!

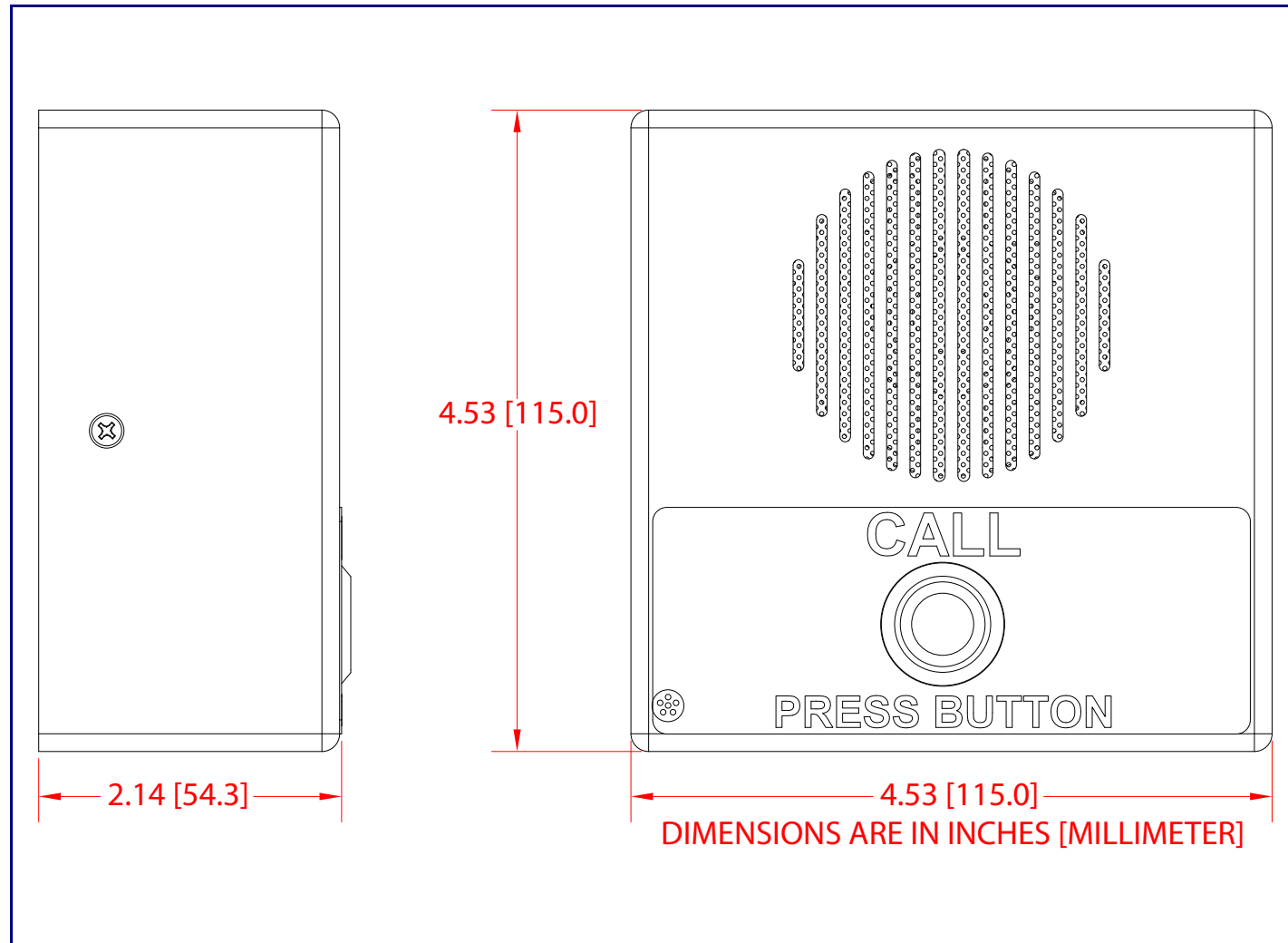
Parts

<p>(1) Intercom Assembly</p> 	<p>(1) Wall Mounting Kit</p> <p>(4) Sheet Metal Screw (4) Plastic Ribbed Anchor</p> 	<p>(1) Gang Box Mounting Kit</p> <p>(4) #6-32 FlatHead Countersunk Machine Screw</p> 
---	---	---

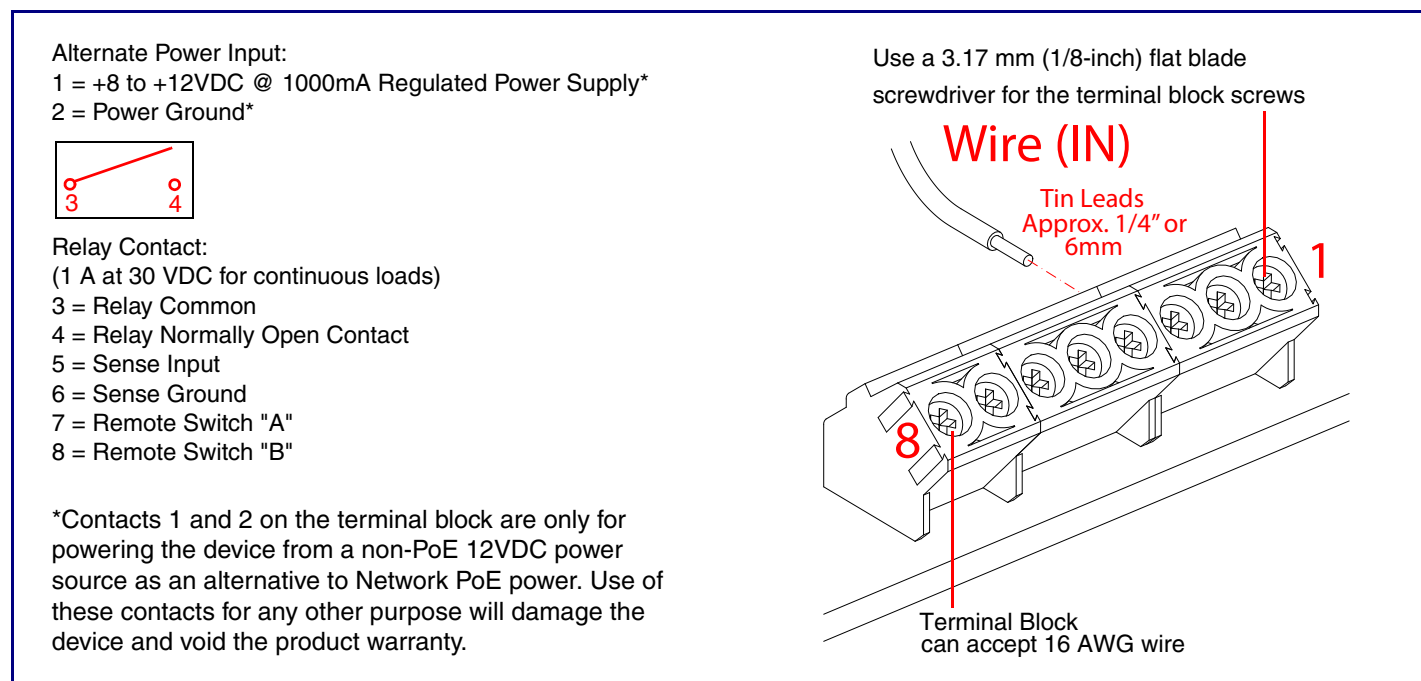
Contacting CyberData

<p>Corporate Headquarters</p>	
<p>CyberData Corporation 3 Justin Court Monterey, CA 93940, USA</p>	<p>Sales: 831-373-2601 ext. 334 Support: 831-373-2601 ext. 333 Support Website: https://support.cyberdata.net/ RMA Department Contact and Status: https://support.cyberdata.net/</p>
<p>Phone: 831-373-2601 Fax: 831-373-4193 https://www.cyberdata.net/</p>	<p>Warranty Information: https://support.cyberdata.net/</p>

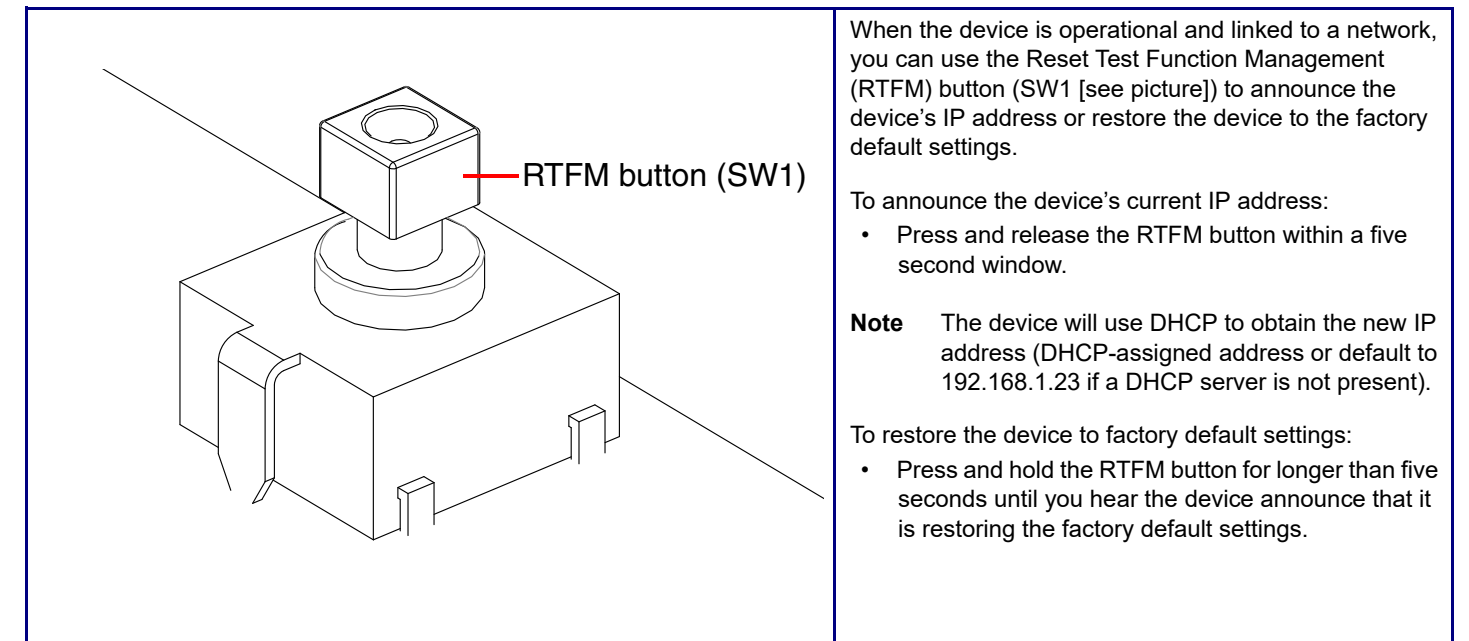
Dimensions



Terminal Block Connections



RTFM Button



Maximum Recommended Wall Cutout Dimensions

