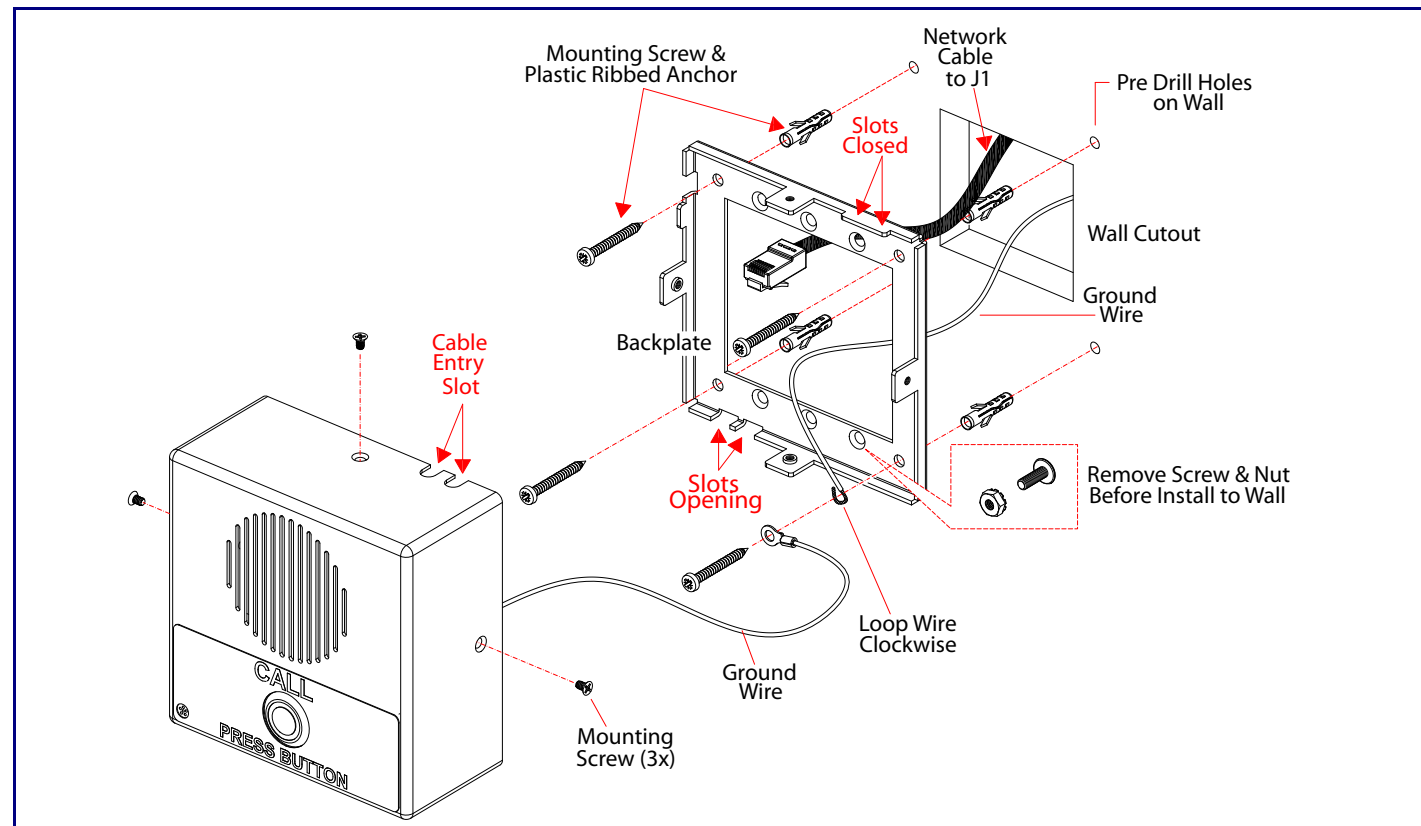
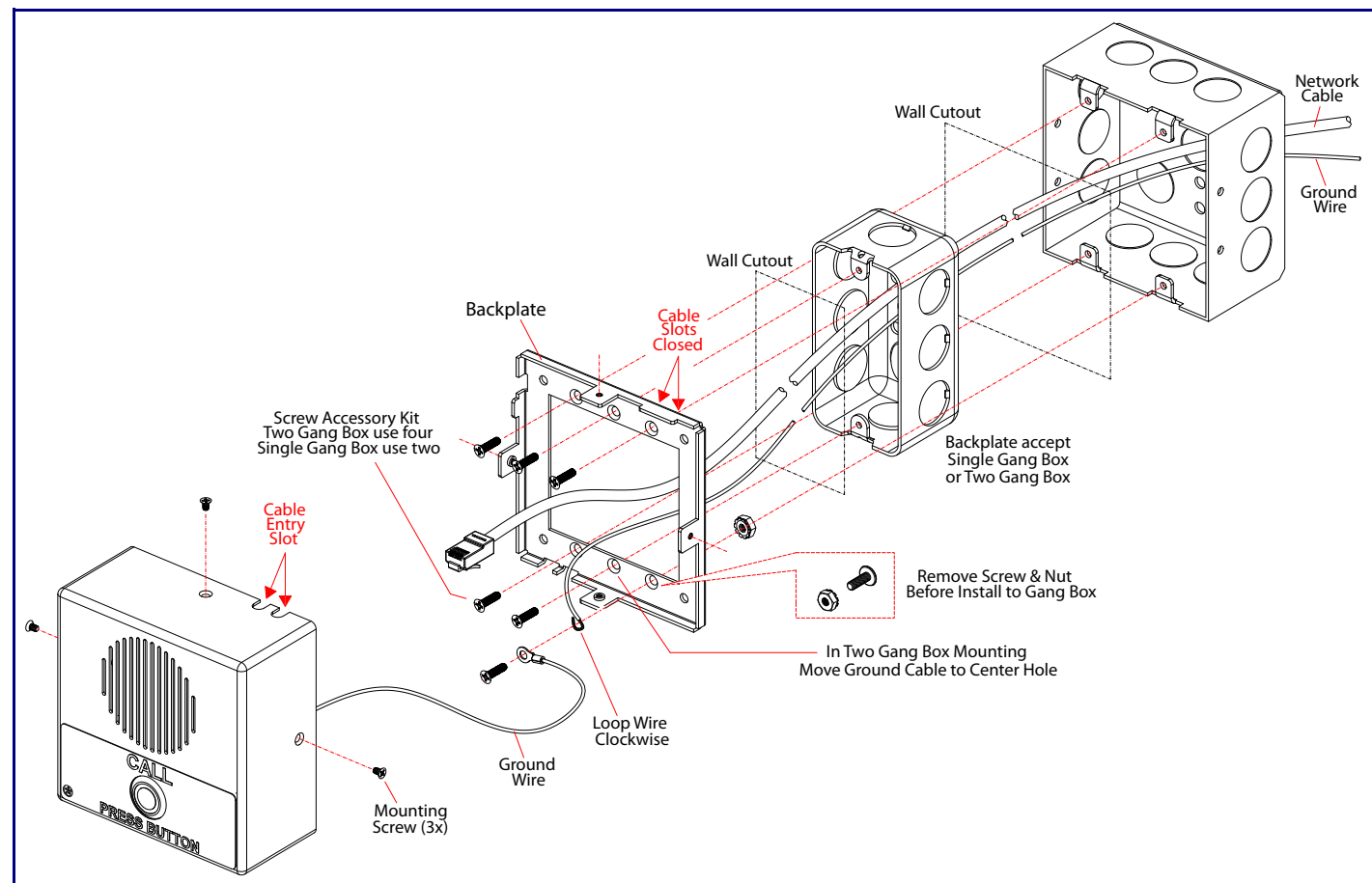


Wall Mounting Options



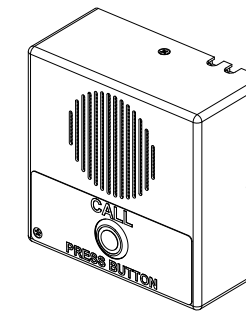
Gang Box Mounting Options



CyberData *Installation Quick Reference*

The IP Endpoint Company

SIP Indoor Intercom 011211



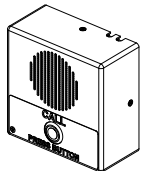


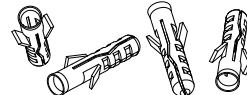
Parameter	Factory Default Setting
IP Addressing	DHCP
IP Address ^a	192.168.1.23
Web Access Username	admin
Web Access Password	admin
Subnet Mask ^a	255.255.255.0
Default Gateway ^a	192.168.1.1

a. Default if there is not a DHCP server present.

Getting Started

- Download the *Operations Guide* PDF file, from the **Downloads** tab at the following webpage:
<https://www.cyberdata.net/products/011211>
- Create a plan for the locations of your Intercoms.
- WARNING:** This product should be installed by a licensed electrician according to all local electrical and building codes.
- WARNING:** To prevent injury, this apparatus must be securely attached to the floor/wall in accordance with the installation instructions.
- WARNING:** The PoE connector is intended for intra-building connections only and does not route to the outside plant.
- WARNING:** This enclosure is not rated for any AC voltages!

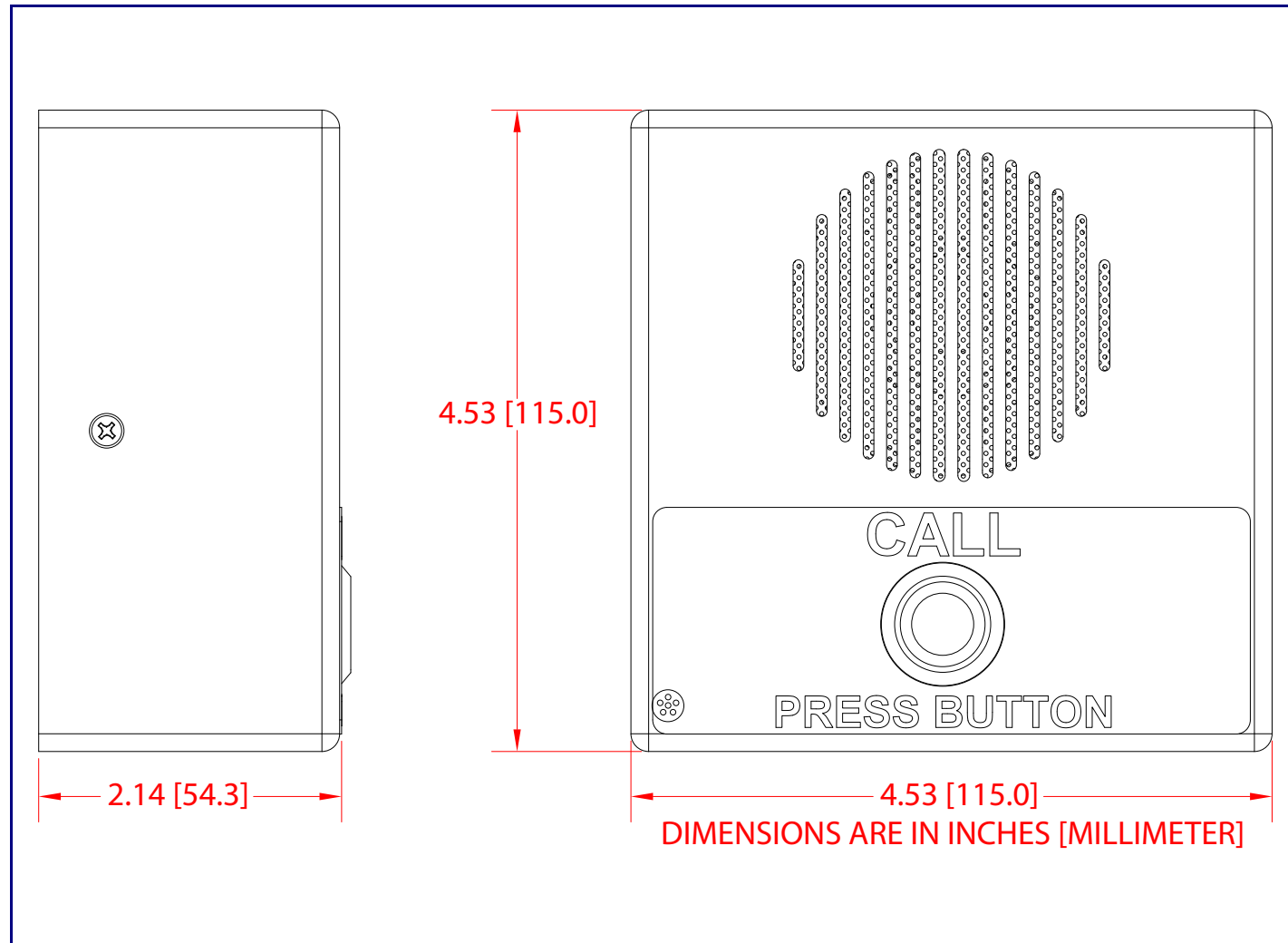
Parts

(1) Intercom Assembly	(1) Wall Mounting Kit	(1) Gang Box Mounting Kit
	(4) Sheet Metal Screw 	(4) #6-32 FlatHead Countersunk Machine Screw 
	(4) Plastic Ribbed Anchor 	

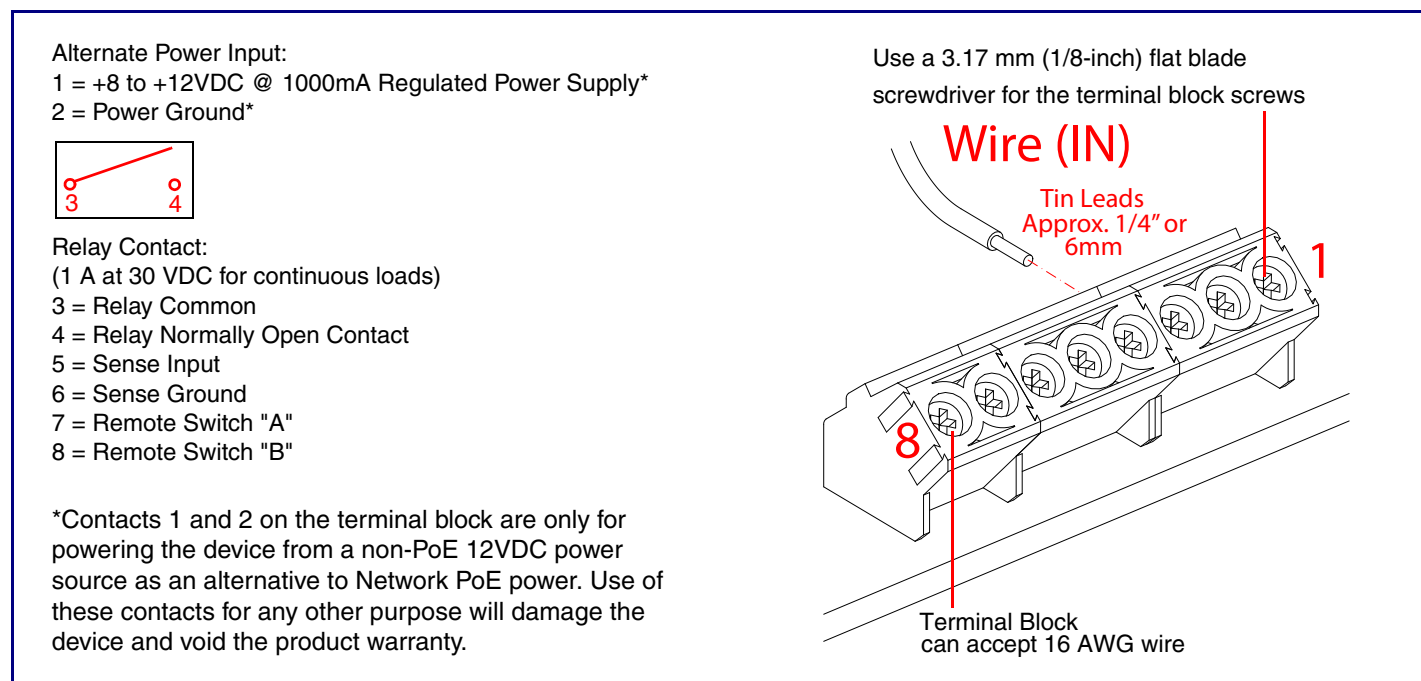
Contacting CyberData

Corporate Headquarters	
CyberData Corporation 3 Justin Court Monterey, CA 93940, USA	Sales: 831-373-2601 ext. 334 Support: 831-373-2601 ext. 333 Support Website: https://support.cyberdata.net/ RMA Department Contact and Status: https://support.cyberdata.net/ Warranty Information: https://support.cyberdata.net/
Phone: 831-373-2601 Fax: 831-373-4193 https://www.cyberdata.net/	

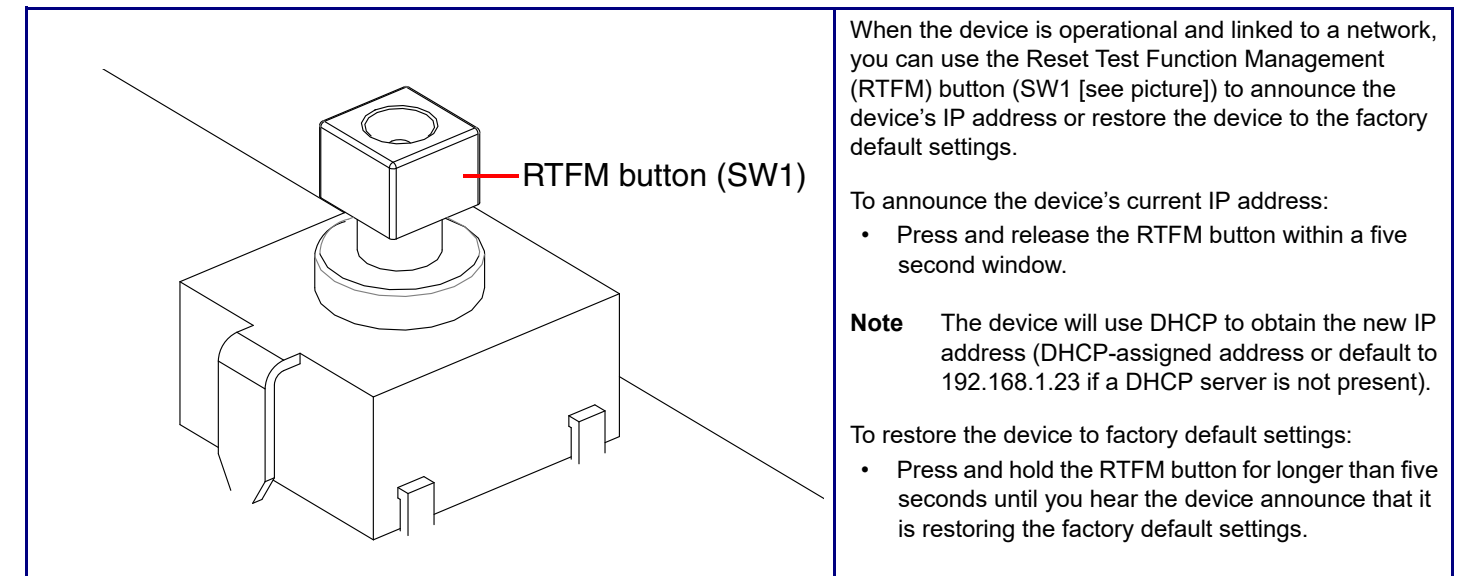
Dimensions



Terminal Block Connections



RTFM Button



Maximum Recommended Wall Cutout Dimensions

