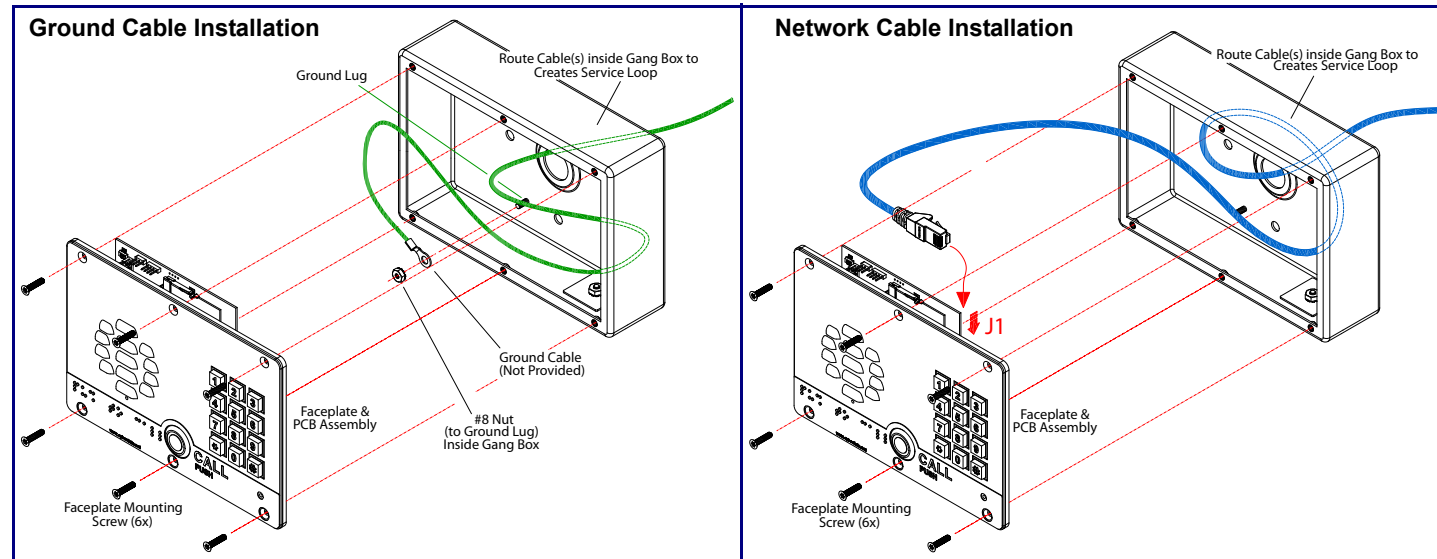
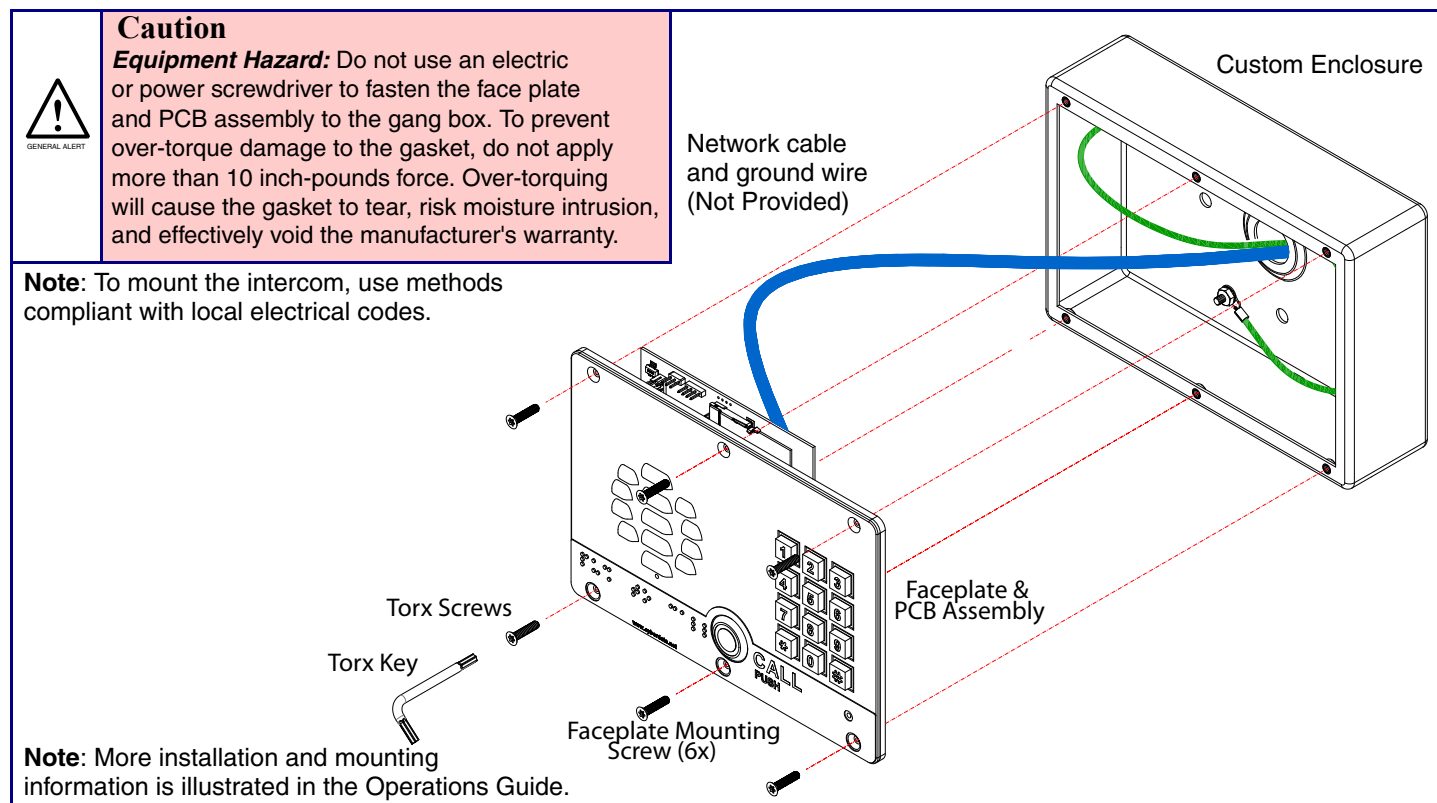


Connecting the Intercom (Service Loop Routing)



Securing the Intercom



Contacting CyberData

Corporate Headquarters

CyberData Corporation
3 Justin Court
Monterey, CA 93940, USA

Phone: 831-373-2601
Fax: 831-373-4193
<http://www.cyberdata.net/>

Sales: (831) 373-2601 ext. 334
Support: 831-373-2601 ext. 333
Support Website: <http://support.cyberdata.net/>
RMA Department: (831) 373-2601 ext. 136
RMA Email: RMA@CyberData.net
RMA Status: <http://support.cyberdata.net/>
Warranty Information: <http://support.cyberdata.net/>

CyberData
The IP Endpoint Company

Installation Quick Reference

SIP Outdoor Intercom with Keypad

SIP Compliant

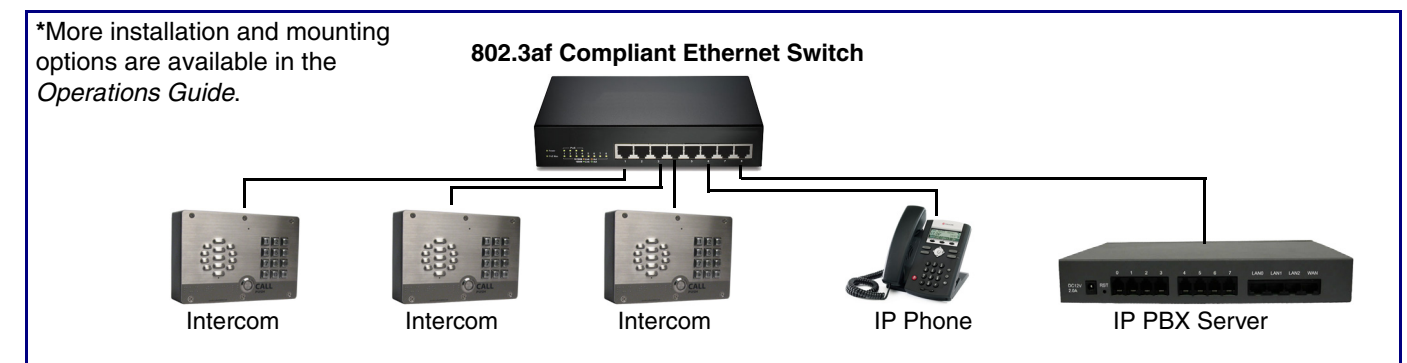
011214



Parameter	Factory Default Setting
IP Addressing	DHCP
IP Address ^a	10.10.10.10
Web Access Username	admin
Web Access Password	admin
Subnet Mask ^a	255.0.0.0
Default Gateway ^a	10.0.0.1

a. Default if there is not a DHCP server present.

Typical System Installation



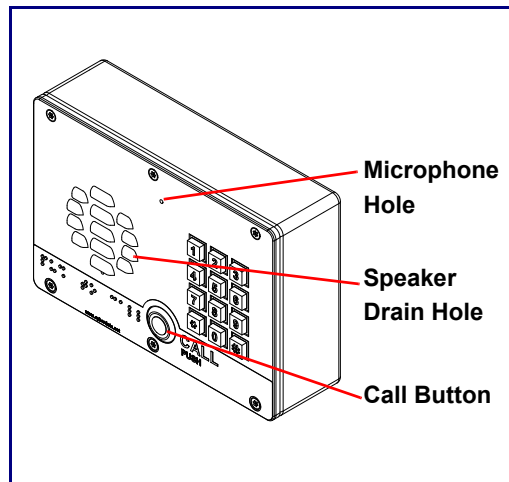
Getting Started

- Download the *Operations Guide* PDF file, from the **Downloads** tab at the following webpage:
<https://www.cyberdata.net/products/011214>
- Create a plan for the locations of your devices.
- WARNING:** This product should be installed by a licensed electrician according to all local electrical and building codes.
- WARNING:** To prevent injury, this apparatus must be securely attached to the floor/wall in accordance with the installation instructions.
- WARNING:** The PoE connector is intended for intra-building connections only and does not route to the outside plant.
- WARNING:** This enclosure is not rated for any AC voltages!

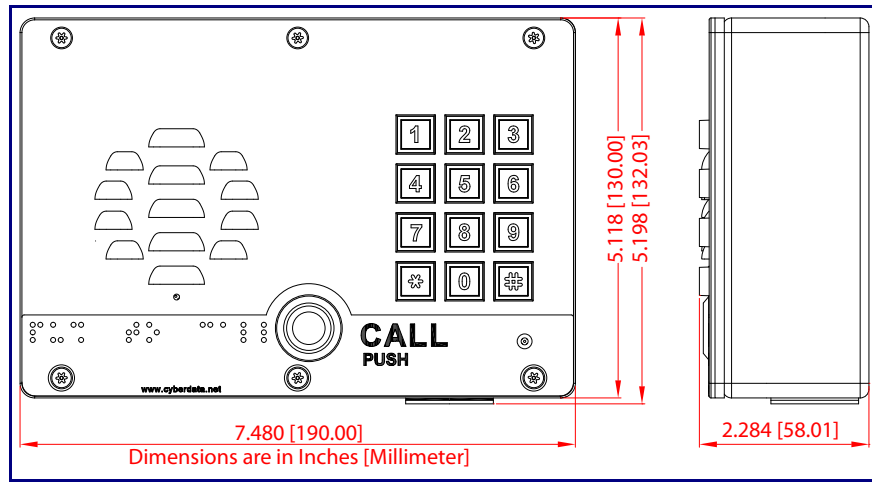
Intercom Parts

(1) Intercom Assembly	Carriage Bolt Bolts Carriage Bolt Nuts Carriage Bolt Washers	Accessories 531085B Hole Plug Assembly Spacer for Half-inch Set Screw Connector Accessory Kit Accessory Kit Security Torx MS
Mounting Component Security Torx Key		

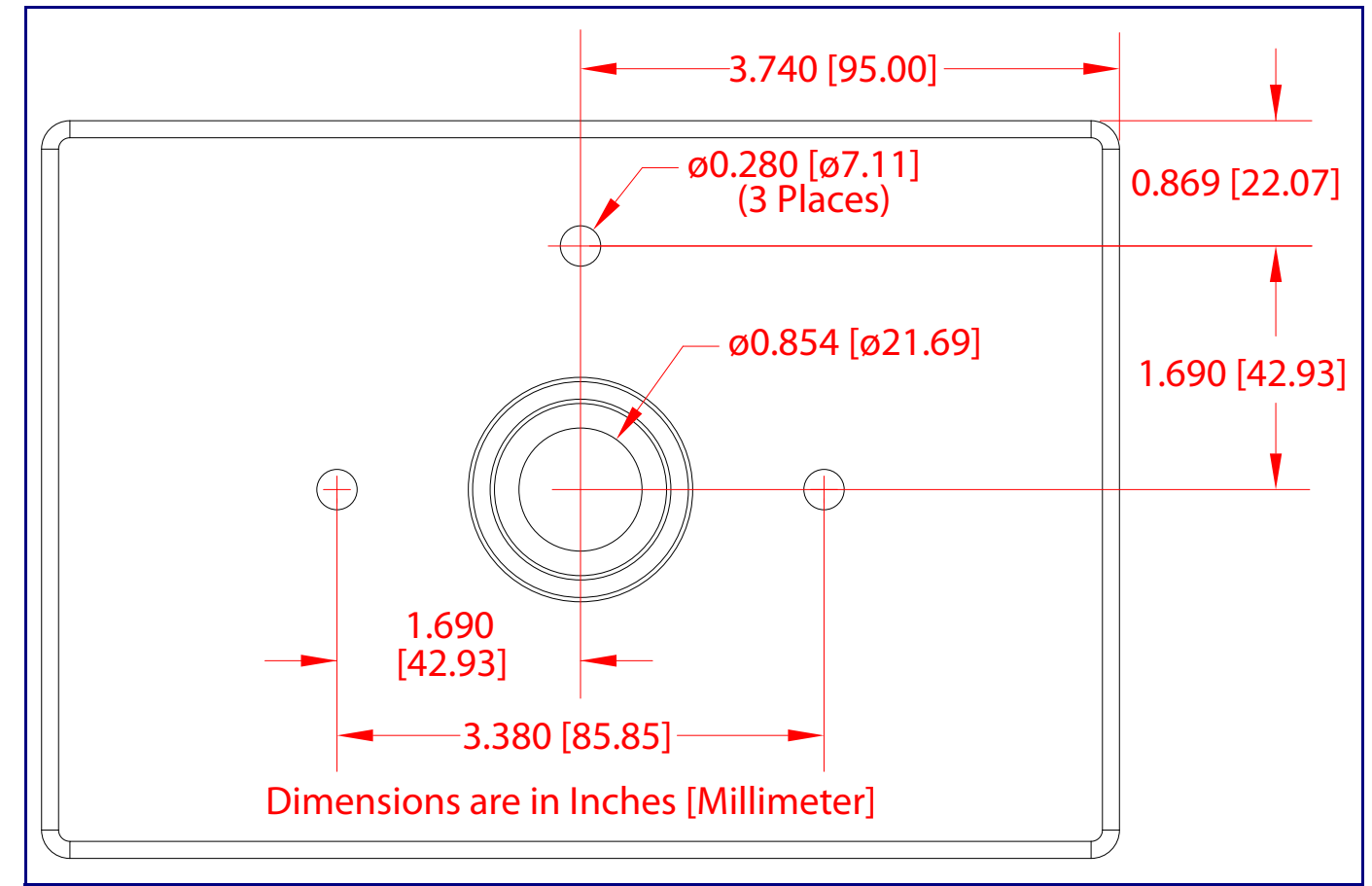
Features



Dimensions (Front and Side View)



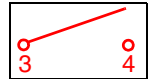
Dimensions (Rear View and Mounting Holes)



Terminal Block Connections

Alternate Power Input:

- 1 = +8 to +12VDC @ 1000mA Regulated Power Supply*
- 2 = Power Ground*



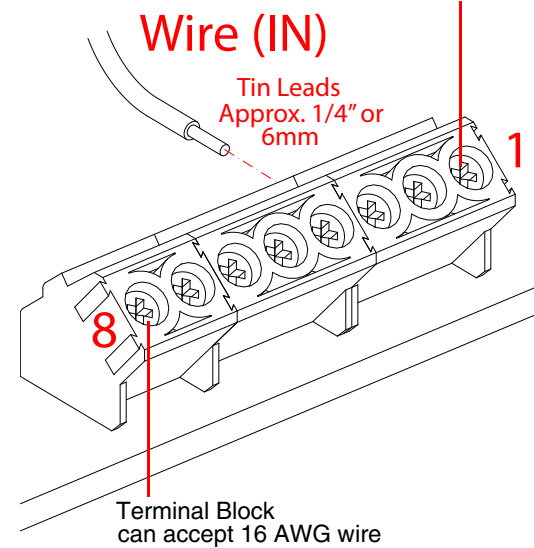
Relay Contact:

(1 A at 30 VDC for continuous loads)

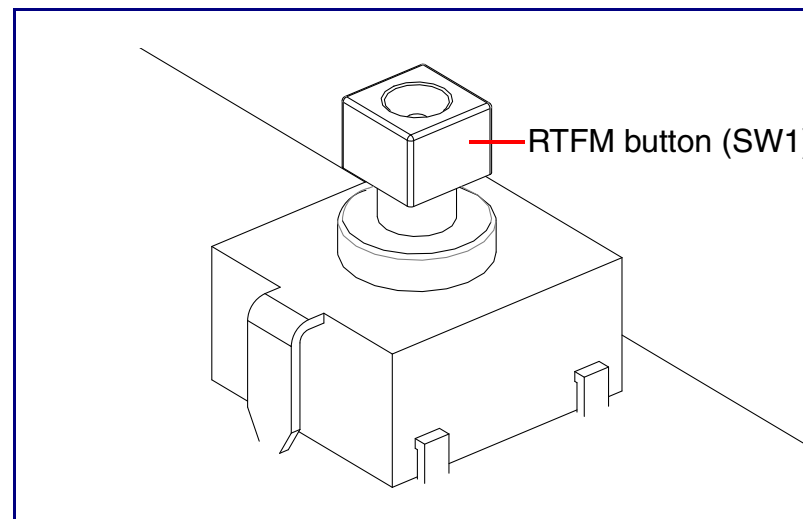
- 3 = Relay Common
- 4 = Relay Normally Open Contact
- 5 = Sense Input
- 6 = Sense Ground
- 7 = Remote Switch "A"
- 8 = Remote Switch "B"

*Contacts 1 and 2 on the terminal block are only for powering the device from a non-PoE 12VDC power source as an alternative to Network PoE power. Use of these contacts for any other purpose will damage the device and void the product warranty.

Use a 3.17 mm (1/8-inch) flat blade screwdriver for the terminal block screws



RTFM Button



When the device is operational and linked to a network, you can use the Reset Test Function Management (RTFM) button (SW1 [see picture]) to announce the device's IP address or restore the device to the factory default settings.

To announce the device's current IP address:

- Press and release the RTFM button within a five second window.

Note The device will use DHCP to obtain the new IP address (DHCP-assigned address or default to 10.10.10.10 if a DHCP server is not present).

To restore the device to factory default settings:

- Press and hold the RTFM button for longer than five seconds until you hear the device announce that it is restoring the factory default settings.

Conduit Mounting Restrictions (Rear Entry)

