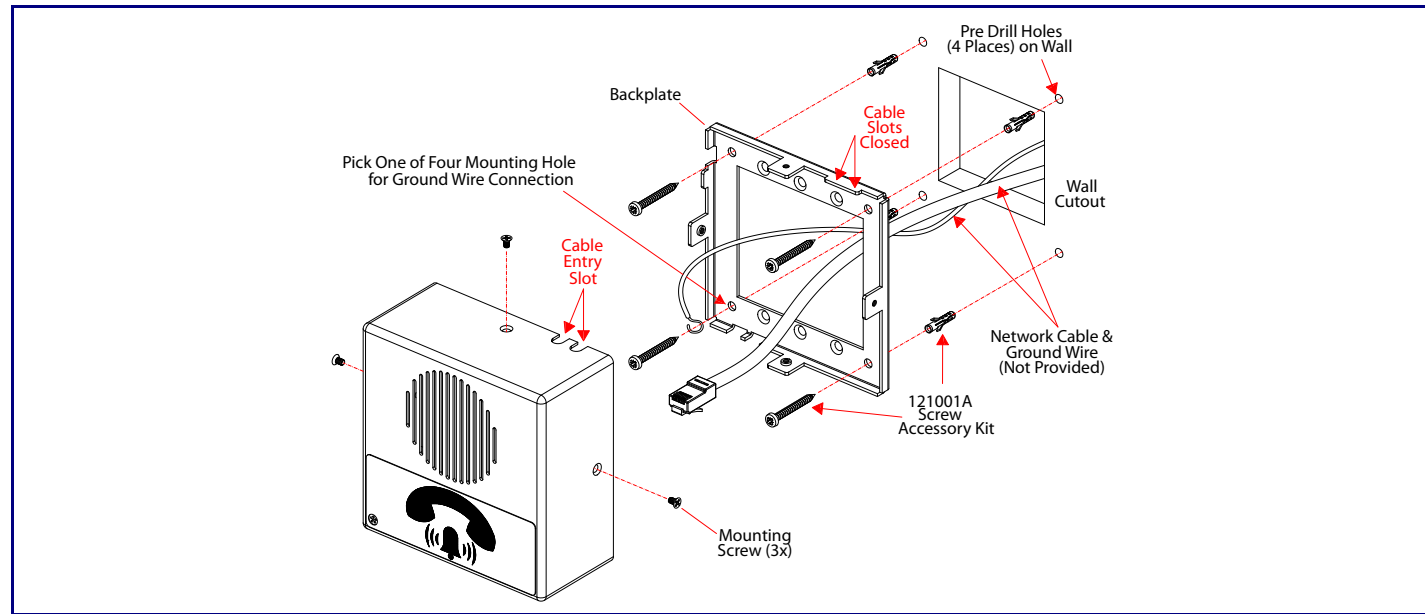
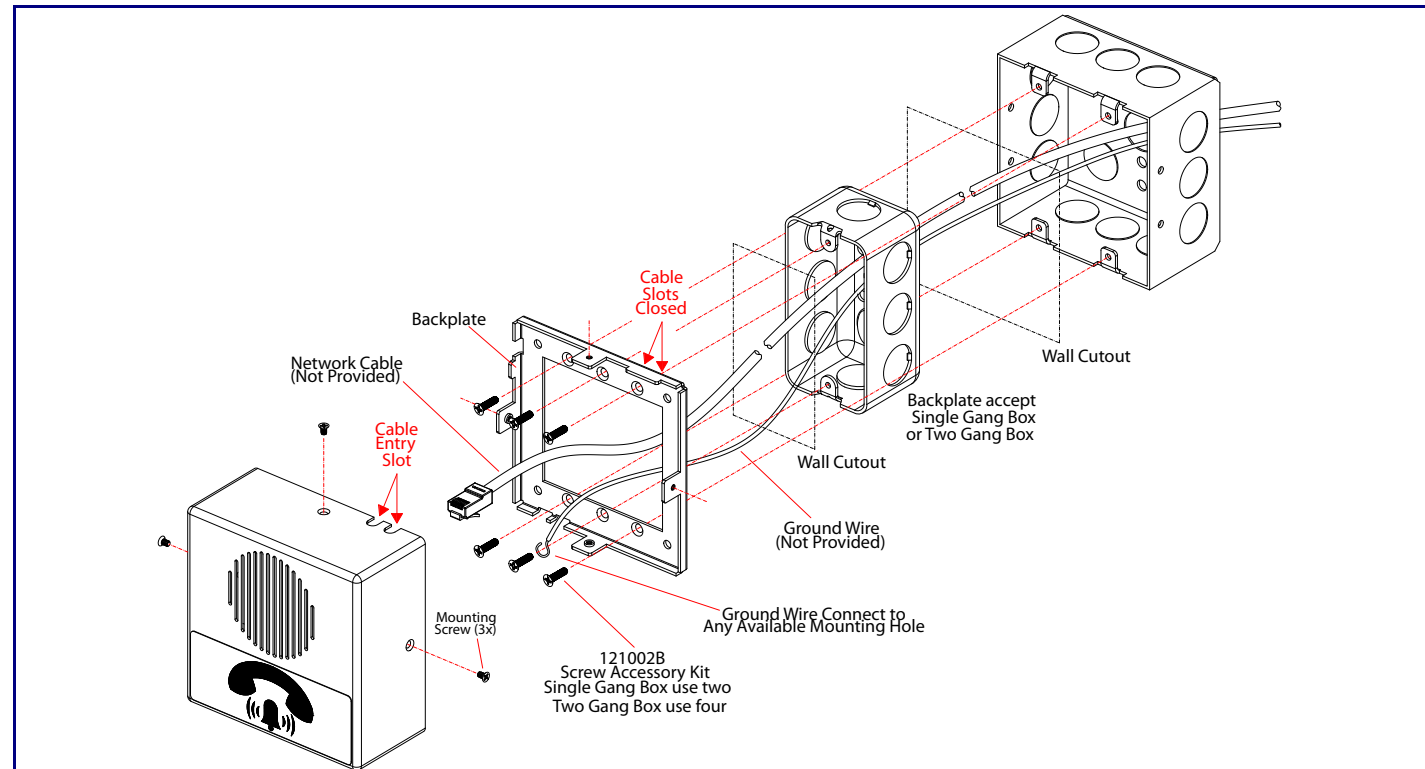


## Wall Mounting Options



## Gang Box Mounting Options



## Contacting CyberData

### Corporate Headquarters

CyberData Corporation  
3 Justin Court  
Monterey, CA 93940, USA

Phone: 831-373-2601  
Fax: 831-373-4193  
<https://www.cyberdata.net/>

Sales: 831-373-2601 ext. 334  
Support: 831-373-2601 ext. 333  
Support Website: <https://support.cyberdata.net/>  
RMA Department Contact and Status: <https://support.cyberdata.net/>  
Warranty Information: <https://support.cyberdata.net/>

**CyberData**  
The IP Endpoint Company

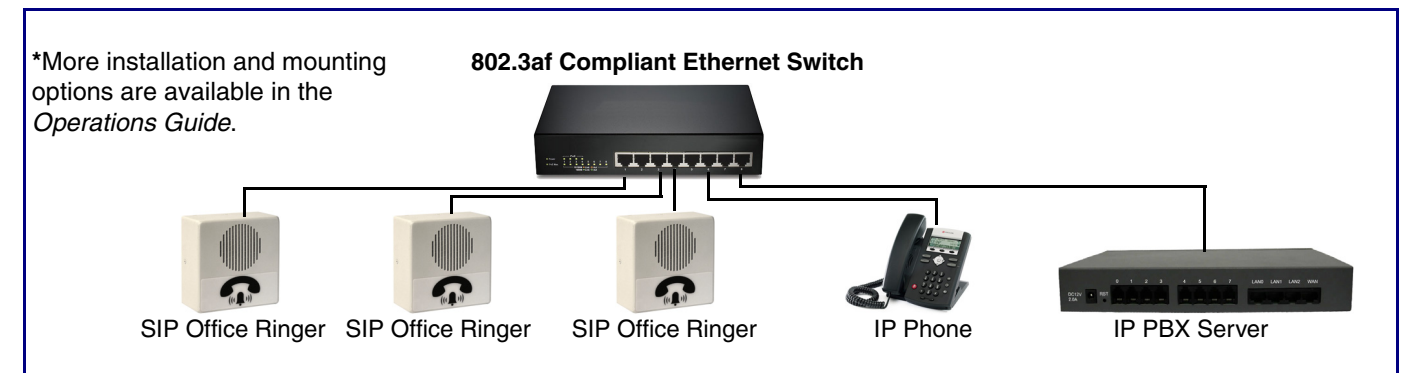
## Installation Quick Reference SIP Office Ringer SIP Compliant 011216



Parameter	Factory Default Setting
IP Addressing	DHCP
IP Address <sup>a</sup>	192.168.1.23
Web Access Username	admin
Web Access Password	admin
Subnet Mask <sup>a</sup>	255.255.255.0
Default Gateway <sup>a</sup>	192.168.1.1

a. Default if there is not a DHCP server present.

## Typical System Installation



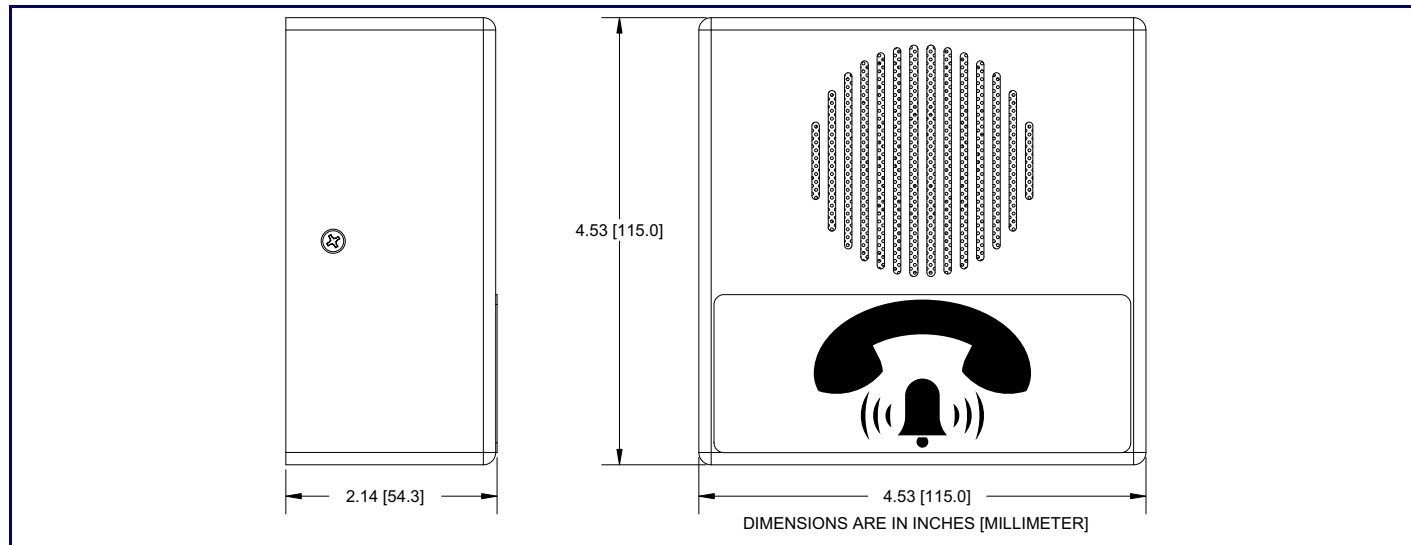
## Getting Started

- Download the *Operations Guide* PDF file, from the **Downloads** tab at the following webpage:  
<https://www.cyberdata.net/products/011216>
- Create a plan for the locations of your Office Ringers.
- WARNING: This product should be installed by a licensed electrician according to all local electrical and building codes.**
- WARNING: To prevent injury, this apparatus must be securely attached to the floor/wall in accordance with the installation instructions.**
- WARNING: The PoE connector is intended for intra-building connections only and does not route to the outside plant.**
- WARNING: This enclosure is not rated for any AC voltages!**

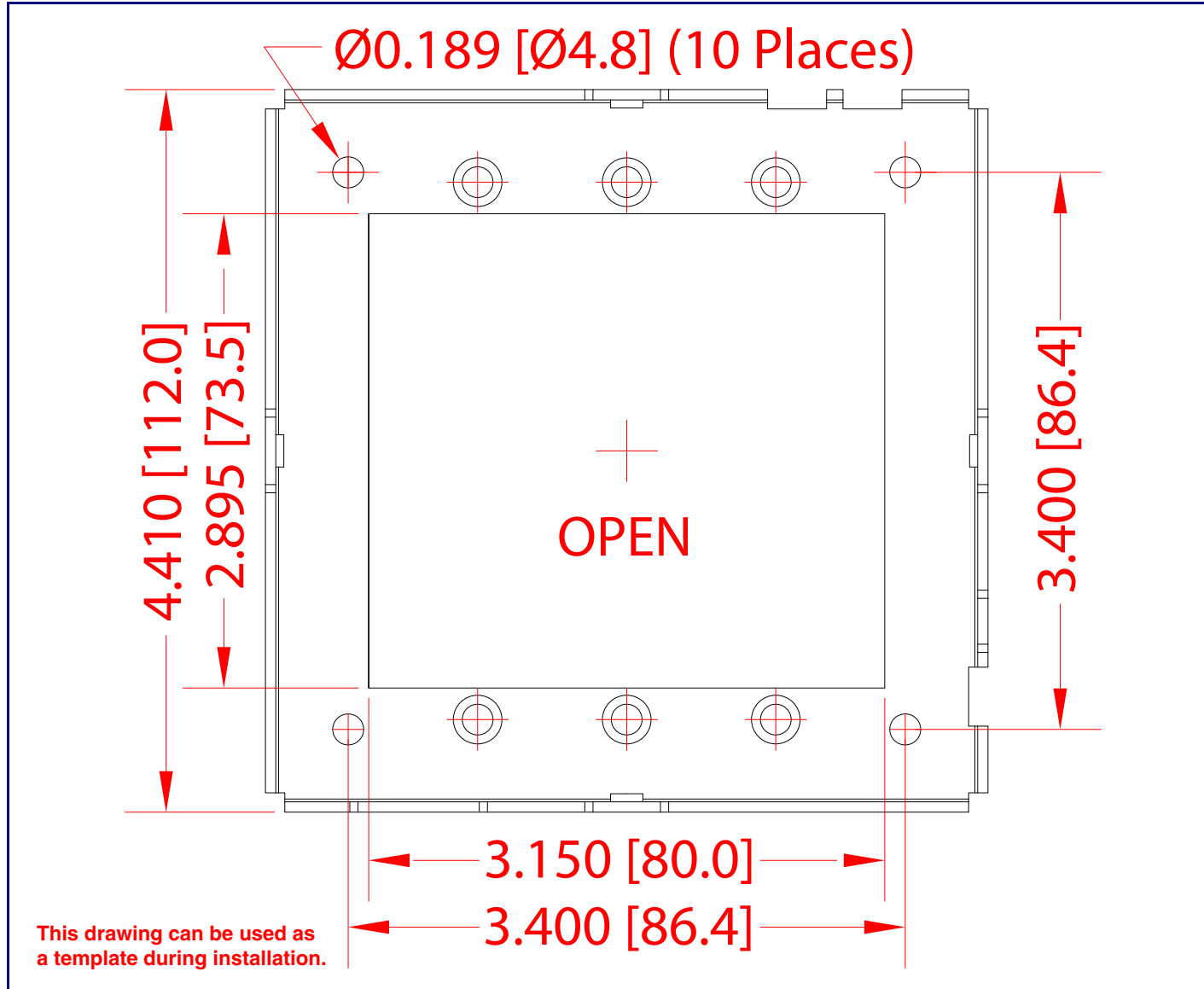
## Parts

(1) Office Ringer Assembly	(1) Wall Mounting Kit	(1) Gang Box Mounting Kit
	(4) #6 x 1.25-inch Sheet Metal Screw (4) Plastic ribbed anchor	(4) 6-32 x 0.5-inch flat undercut Phillips machine screw

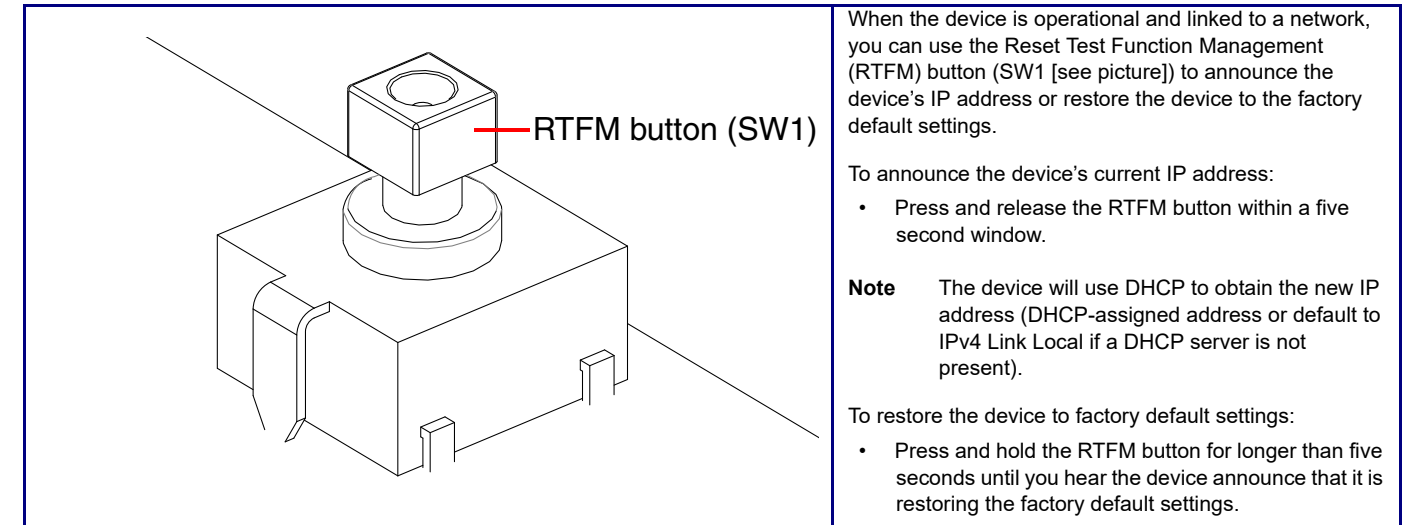
## Dimensions



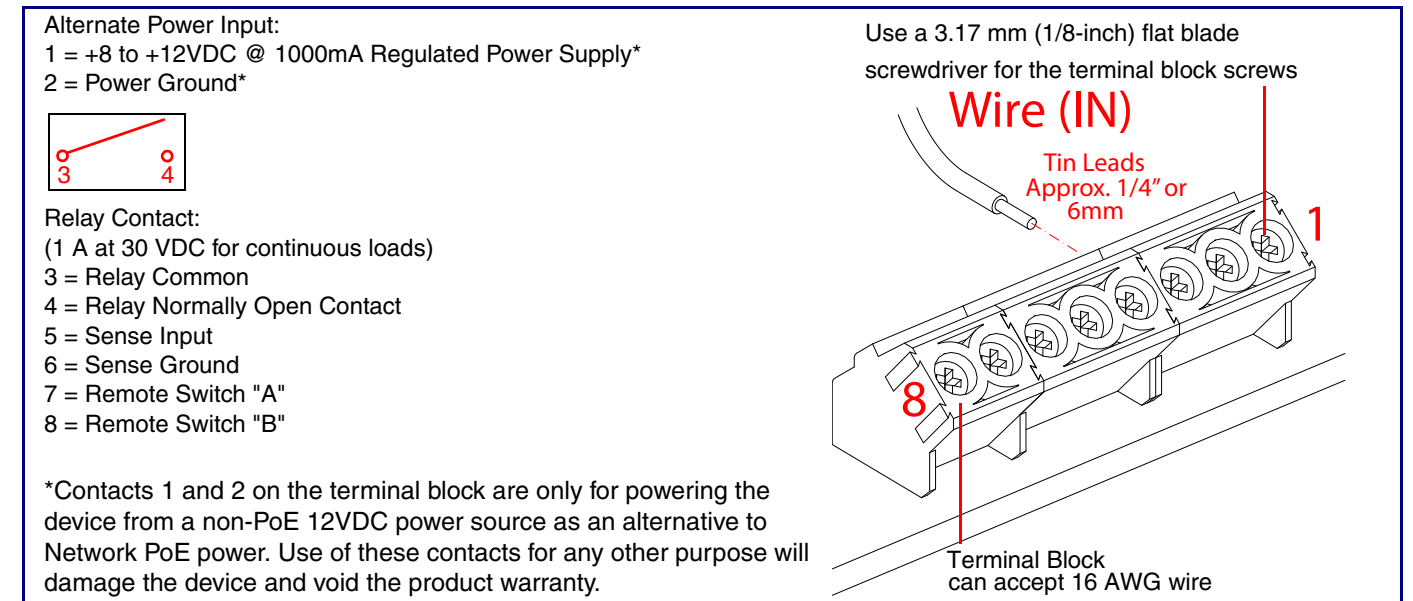
## Maximum Recommended Wall Cutout Dimensions



## RTFM Button



## Terminal Block Connections



## Plug in the Network Cable and Create Service Loop

