

Auxiliary RGB (Multi-Color) Strobe Kit

CyberData

The IP Endpoint Company

The CyberData Auxiliary RGB (Multi-Color) Strobe Kit is a cost-effective, user-installable option for the latest line of CyberData VoIP products. The Strobe Kit comes with a 1 meter (3.3 ft) cable that enables the user to connect to a supported CyberData IP endpoint. Power and signaling for the Strobe comes from the attached CyberData endpoint.

Setup of the Strobe's blink rates and brightness are through the web interface of the attached CyberData IP endpoint.

Features

- Meets ADA requirements for telephony signaling and notification
- Different Strobe colors, blink rate and brightness can be tied to multiple activation scenes
- Activates from a CyberData IP endpoint
- Mailbox "message waiting" indication
- Multicast activation
- Web-based setup
- Receives Singlewire InformaCast notifications when connected to a CyberData Singlewire-enabled device

Use areas include:

- Sales and support mailbox indication
- Classrooms
- Banks or financial institutions
- Court rooms
- Manufacturing warehouses
- Offices

Related Products:



011404 SIP Loudspeaker Amplifier (AC-Powered)



011394 SIP Speaker



011209 SIP Emergency Intercom



011049 SIP Call Button



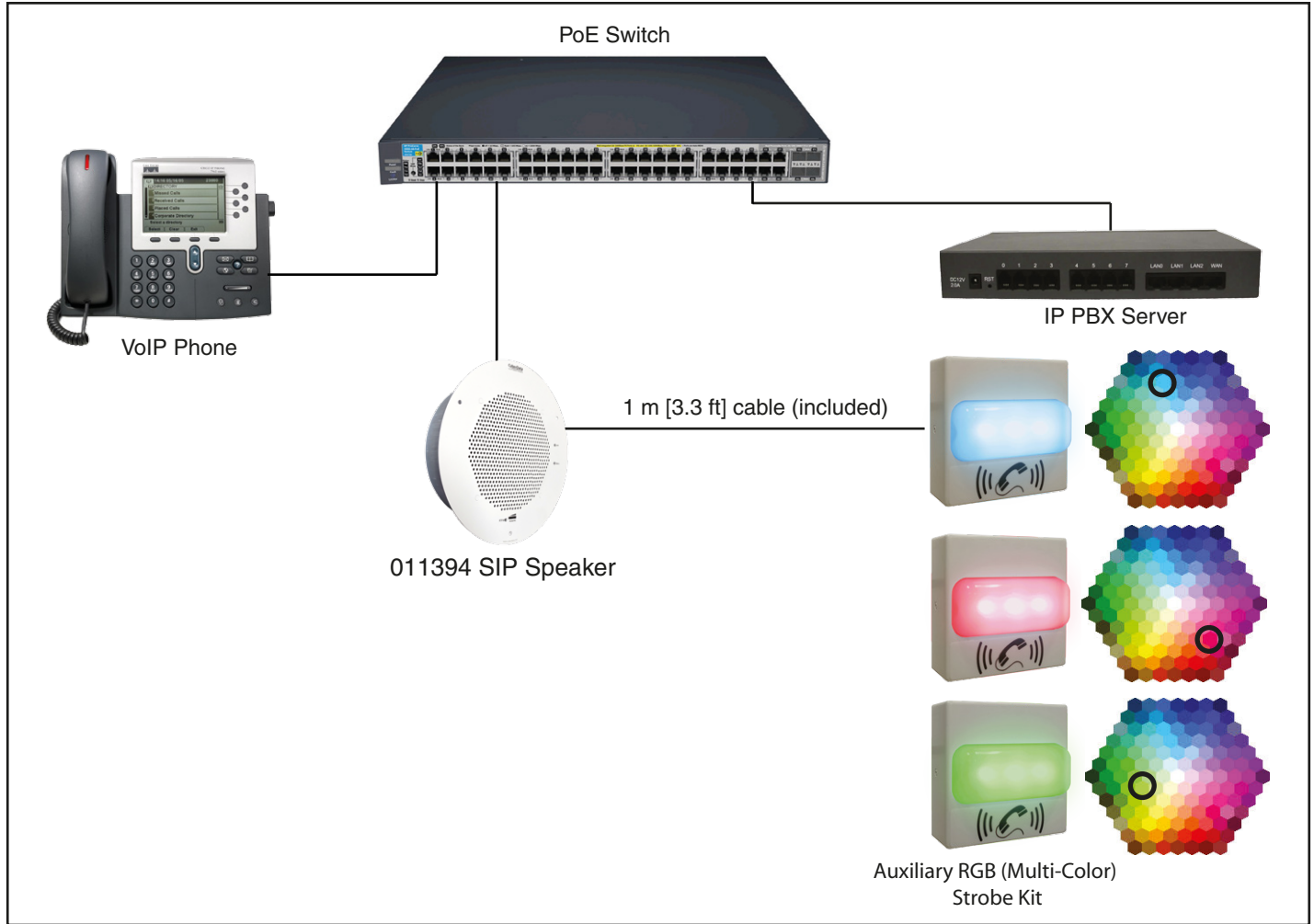
Specifications

Power Input	Supplied by the supported CyberData VoIP endpoint
Flash rate	5 user-defined scenes
LED MTBF	100,000 Hours
Operating Range	Temperature: -40° C to 55° C (-40° F to 131° F) Humidity: 5-95%, non-condensing
Storage Temperature	-40° C to 70° C (-40° F to 158° F)
Storage Altitude	Up to 15,000 ft. (4573 m)
Dimensions*	4.5 inches [115 mm] Length 2.1 inches [55 mm] Width 4.5 inches [115 mm] Height
Weight	1.0 lbs. [0.45 kg]
Boxed Weight	2.0 lbs. [0.90 kg]
Compliance	CE; EMC Directive – Class A EN 55032 & EN 55024, LV Safety Directive – EN 60950-1, RoHS Compliant, FCC; Part 15 Class A, Industry Canada; ICES-3 Class A, IEEE 802.3 Compliant
Warranty	2 Years Limited
Part Number	011288

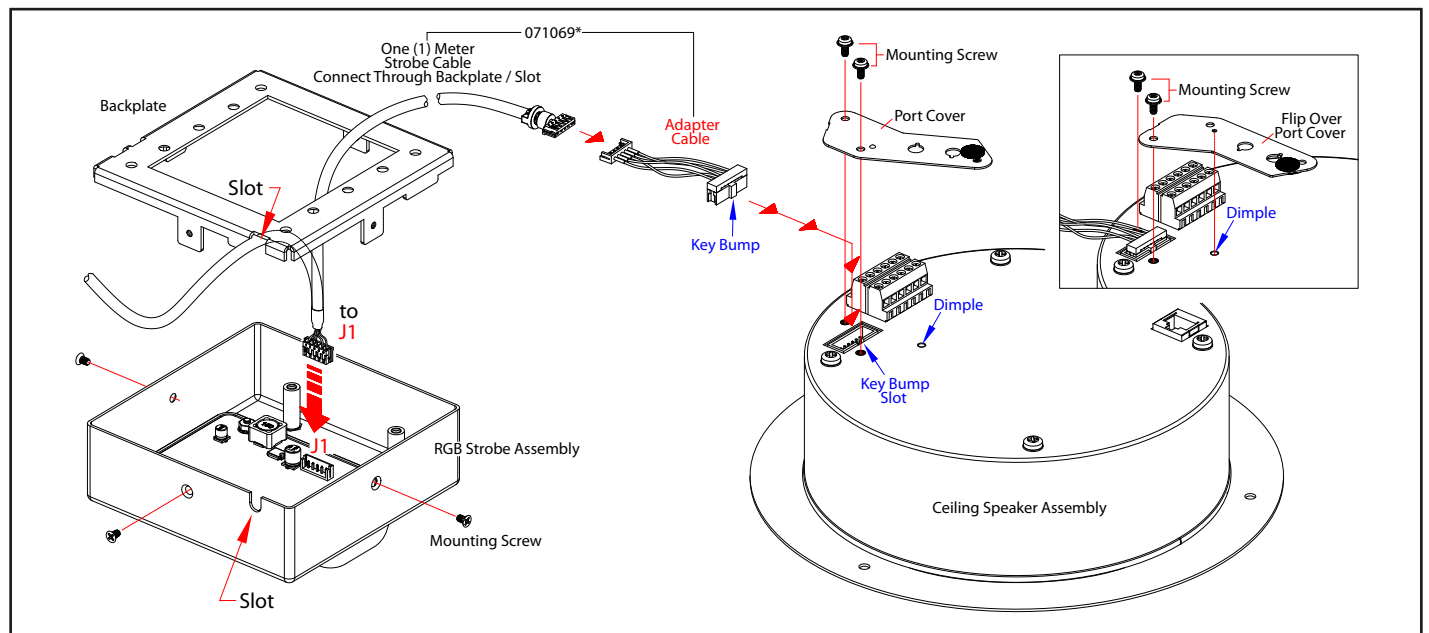
*Dimensions are measured from the perspective of the product being upright with the front of the product facing you.

Auxiliary RGB (Multi-Color) Strobe Kit

Connection Example

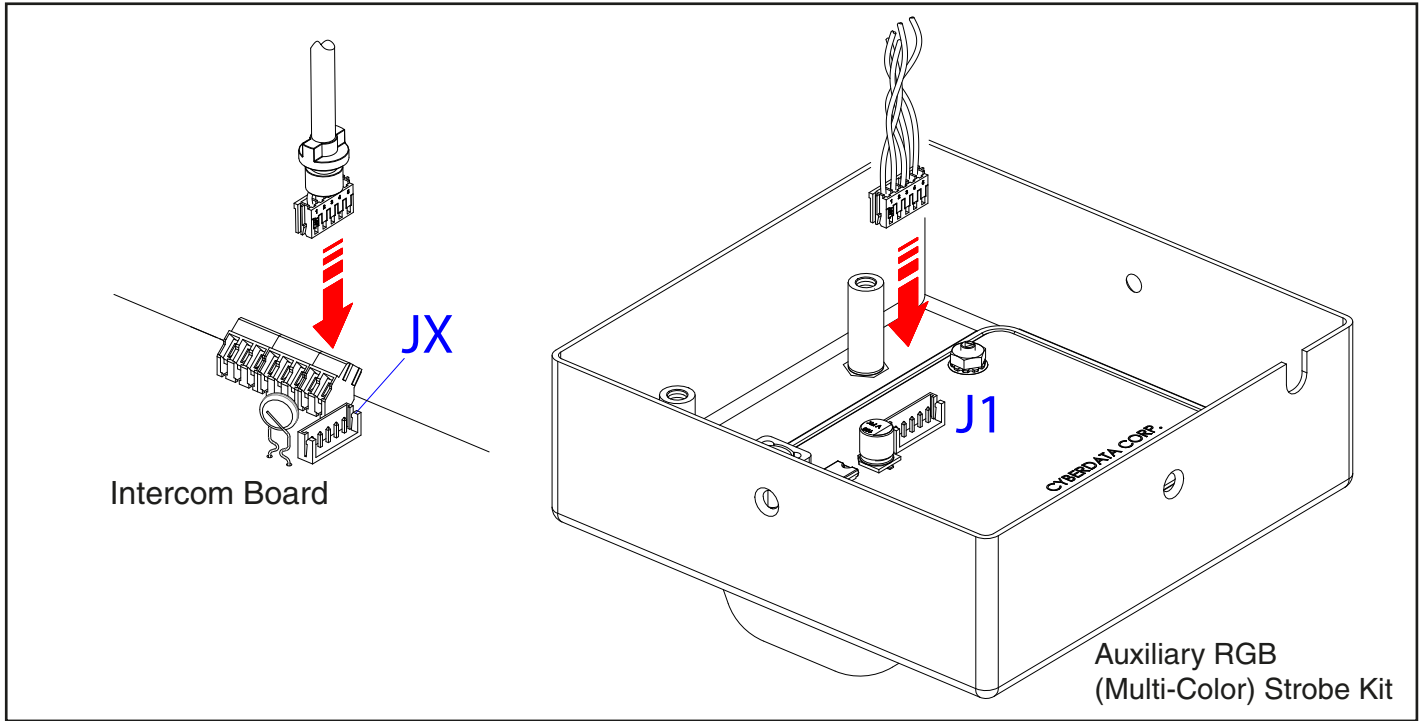


Strobe Kit Connections to the 011394 SIP Speaker



Auxiliary RGB (Multi-Color) Strobe Kit

Strobe Kit Connections to the Intercom



Strobe Kit Wall Mounting Options

