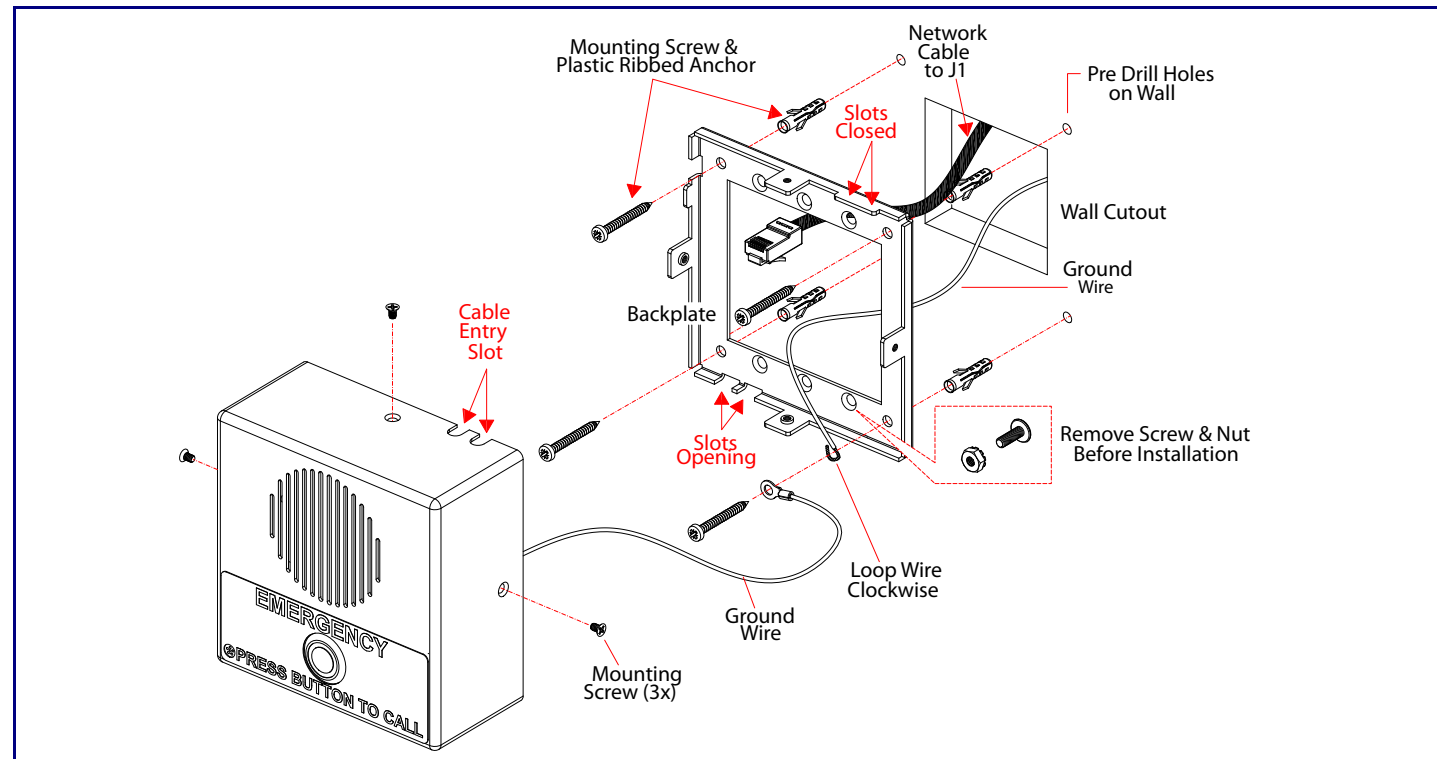
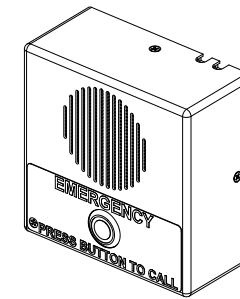
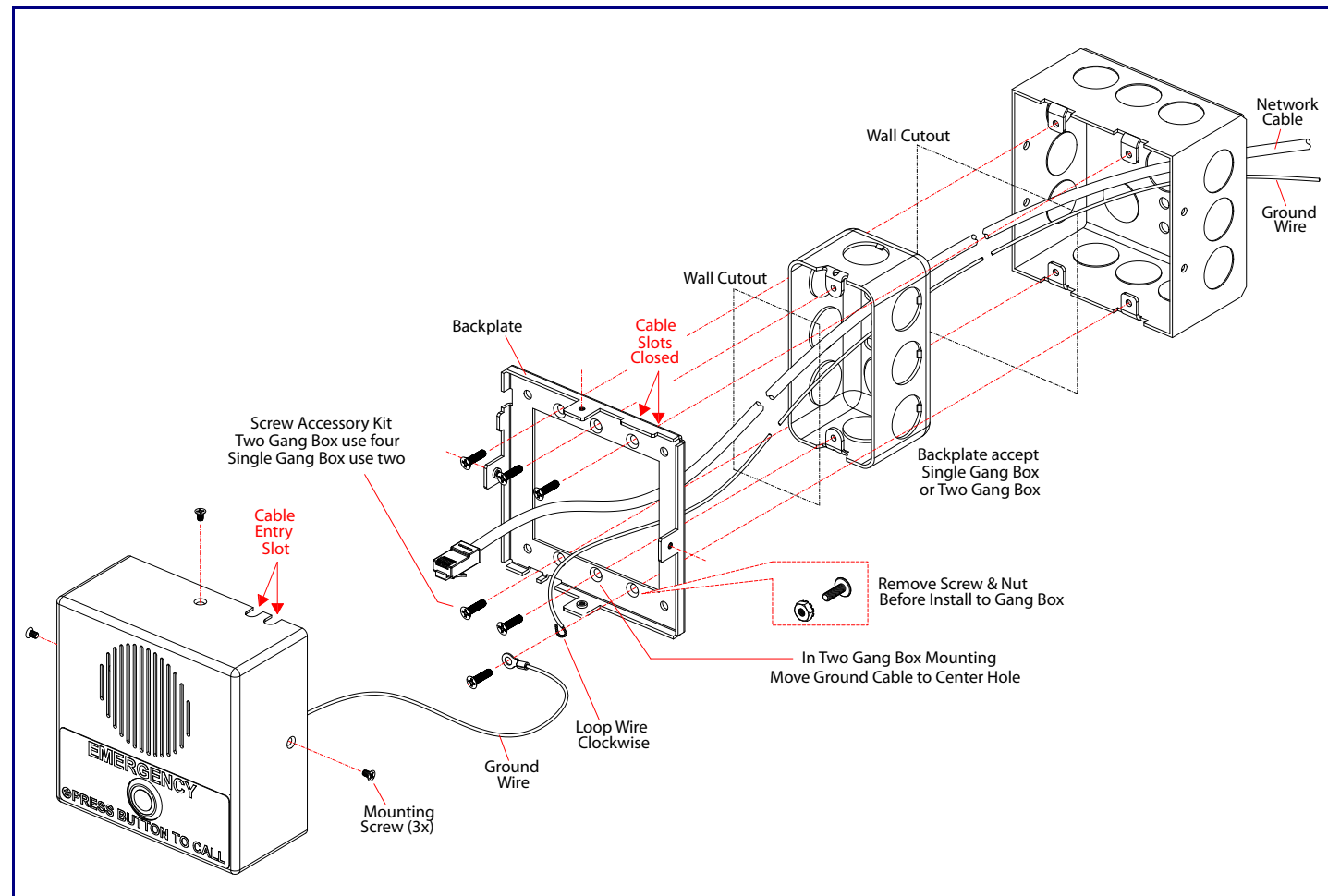


## Wall Mounting Options



## Gang Box Mounting Options



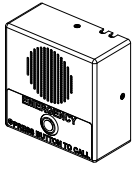
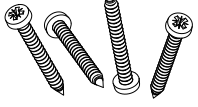
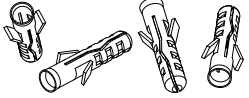
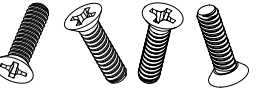
Parameter	Factory Default Setting
IP Addressing	DHCP
IP Address <sup>a</sup>	192.168.1.23
Web Access Username	admin
Web Access Password	admin
Subnet Mask <sup>a</sup>	255.255.255.0
Default Gateway <sup>a</sup>	192.168.1.1

a. Default if there is not a DHCP server present.

## Getting Started

- Download the *Operations Guide* PDF file, from the **Downloads** tab at the following webpage:  
<https://www.cyberdata.net/products/011304>
- Create a plan for the locations of your Intercoms.
- **WARNING:** This product should be installed by a licensed electrician according to all local electrical and building codes.
- **WARNING:** To prevent injury, this apparatus must be securely attached to the floor/wall in accordance with the installation instructions.
- **WARNING:** The PoE connector is intended for intra-building connections only and does not route to the outside plant.
- **WARNING:** This enclosure is not rated for any AC voltages!

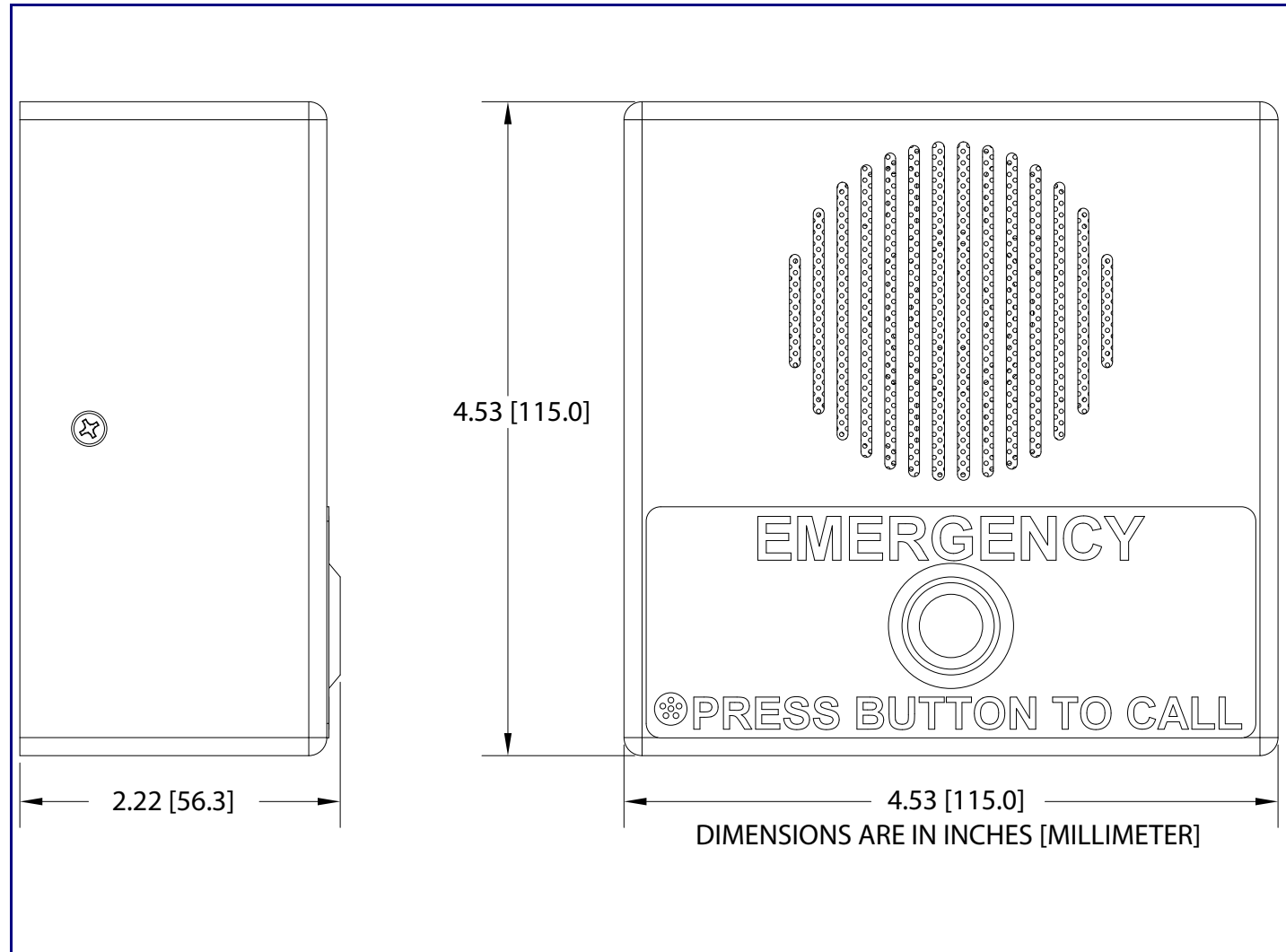
## Parts

(1) Intercom Assembly	(1) Wall Mounting Kit	(1) Gang Box Mounting Kit
	(4) Sheet Metal Screw 	(4) Plastic Ribbed Anchor 
		(4) #6-32 FlatHead Countersunk Machine Screw 

## Contacting CyberData

Corporate Headquarters	
CyberData Corporation 3 Justin Court Monterey, CA 93940, USA	Sales: 831-373-2601 ext. 334 Support: 831-373-2601 ext. 333 Support Website: <a href="https://support.cyberdata.net/">https://support.cyberdata.net/</a> RMA Department Contact and Status: <a href="https://support.cyberdata.net/">https://support.cyberdata.net/</a> Warranty Information: <a href="https://support.cyberdata.net/">https://support.cyberdata.net/</a>
Phone: 831-373-2601 Fax: 831-373-4193 <a href="https://www.cyberdata.net/">https://www.cyberdata.net/</a>	

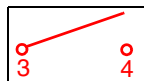
## Dimensions



## Terminal Block Connections

### Alternate Power Input:

- 1 = +8 to +12VDC @ 1000mA Regulated Power Supply\*
- 2 = Power Ground\*

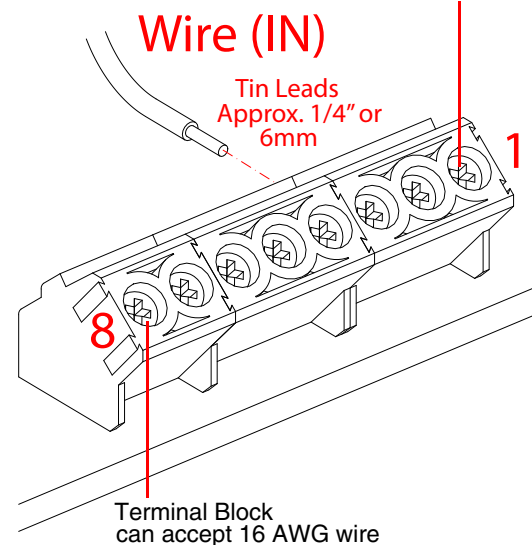


### Relay Contact:

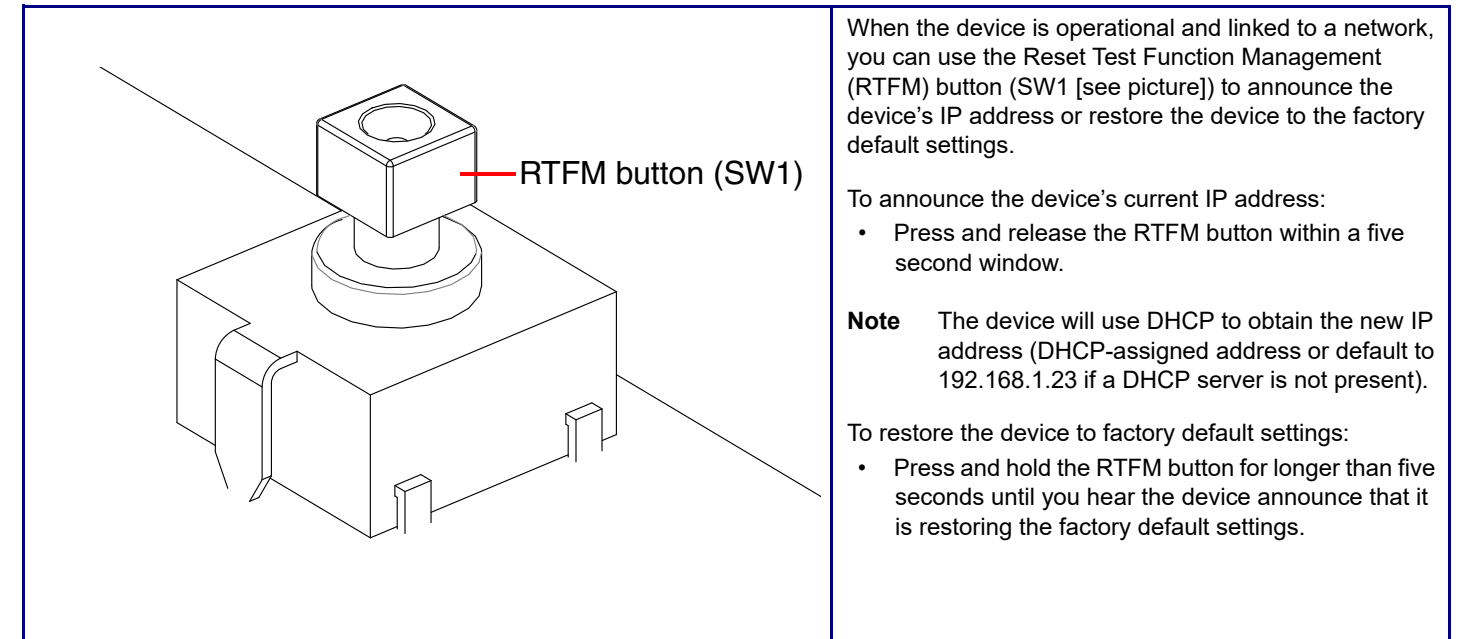
- (1 A at 30 VDC for continuous loads)
- 3 = Relay Common
- 4 = Relay Normally Open Contact
- 5 = Sense Input
- 6 = Sense Ground
- 7 = Remote Switch "A"
- 8 = Remote Switch "B"

\*Contacts 1 and 2 on the terminal block are only for powering the device from a non-PoE 12VDC power source as an alternative to Network PoE power. Use of these contacts for any other purpose will damage the device and void the product warranty.

Use a 3.17 mm (1/8-inch) flat blade screwdriver for the terminal block screws



## RTFM Button



## Maximum Recommended Wall Cutout Dimensions

