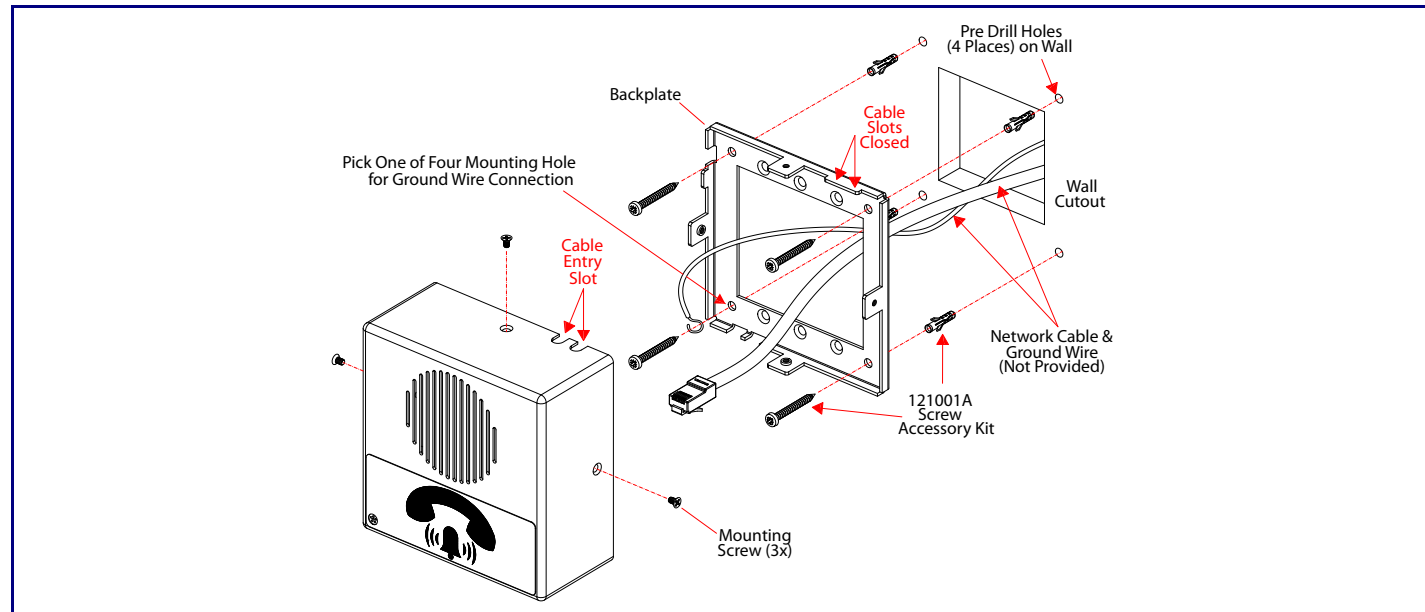
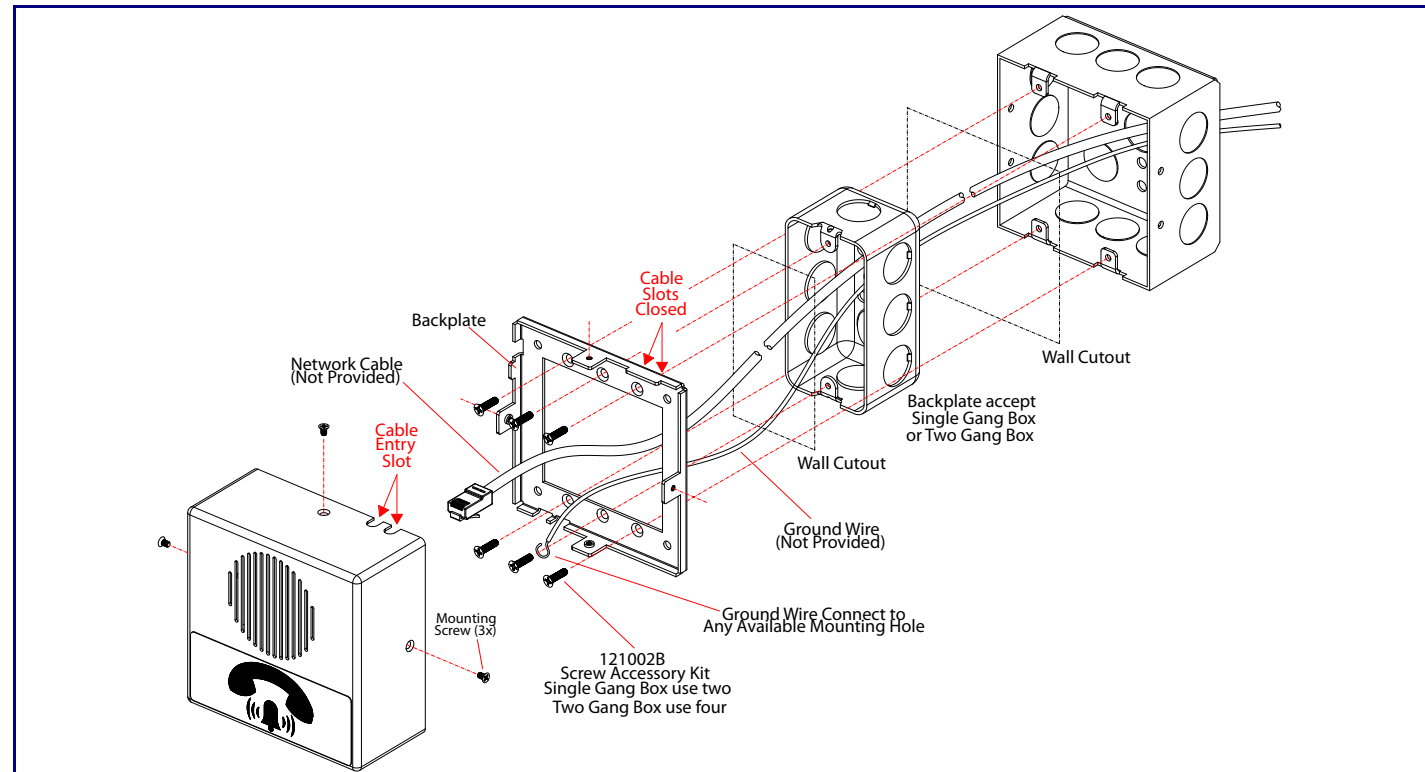


Wall Mounting Options



Gang Box Mounting Options



Contacting CyberData

Corporate Headquarters

CyberData Corporation
3 Justin Court
Monterey, CA 93940, USA

Phone: 831-373-2601
Fax: 831-373-4193
<http://www.cyberdata.net/>

Sales: (831) 373-2601 ext. 334
Support: 831-373-2601 ext. 333
Support Website: <http://support.cyberdata.net/>
RMA Department: (831) 373-2601 ext. 136
RMA Email: RMA@CyberData.net
RMA Status: <http://support.cyberdata.net/>
Warranty Information: <http://support.cyberdata.net/>

CyberData
The IP Endpoint Company

Installation Quick Reference

Singlewire InformaCast Office Ringer

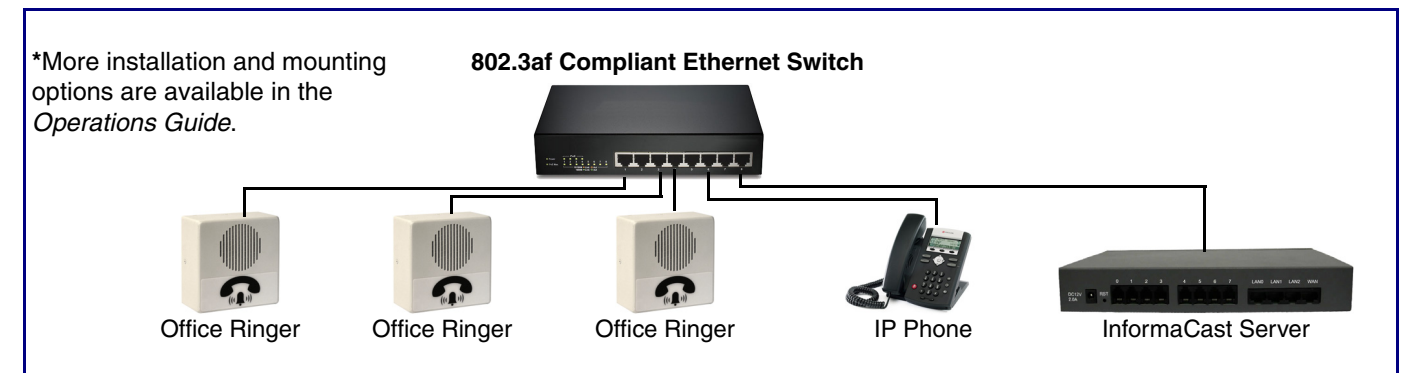
011311



Parameter	Factory Default Setting
IP Addressing	DHCP
IP Address ^a	10.10.10.10
Web Access Username	admin
Web Access Password	admin
Subnet Mask ^a	255.0.0.0
Default Gateway ^a	10.0.0.1

a. Default if there is not a DHCP server present.

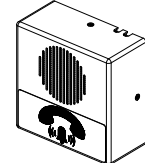
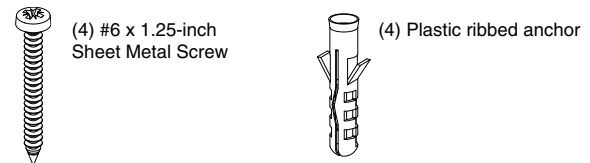
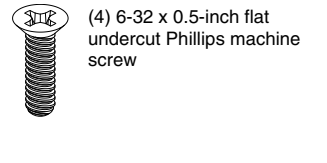
Typical System Installation



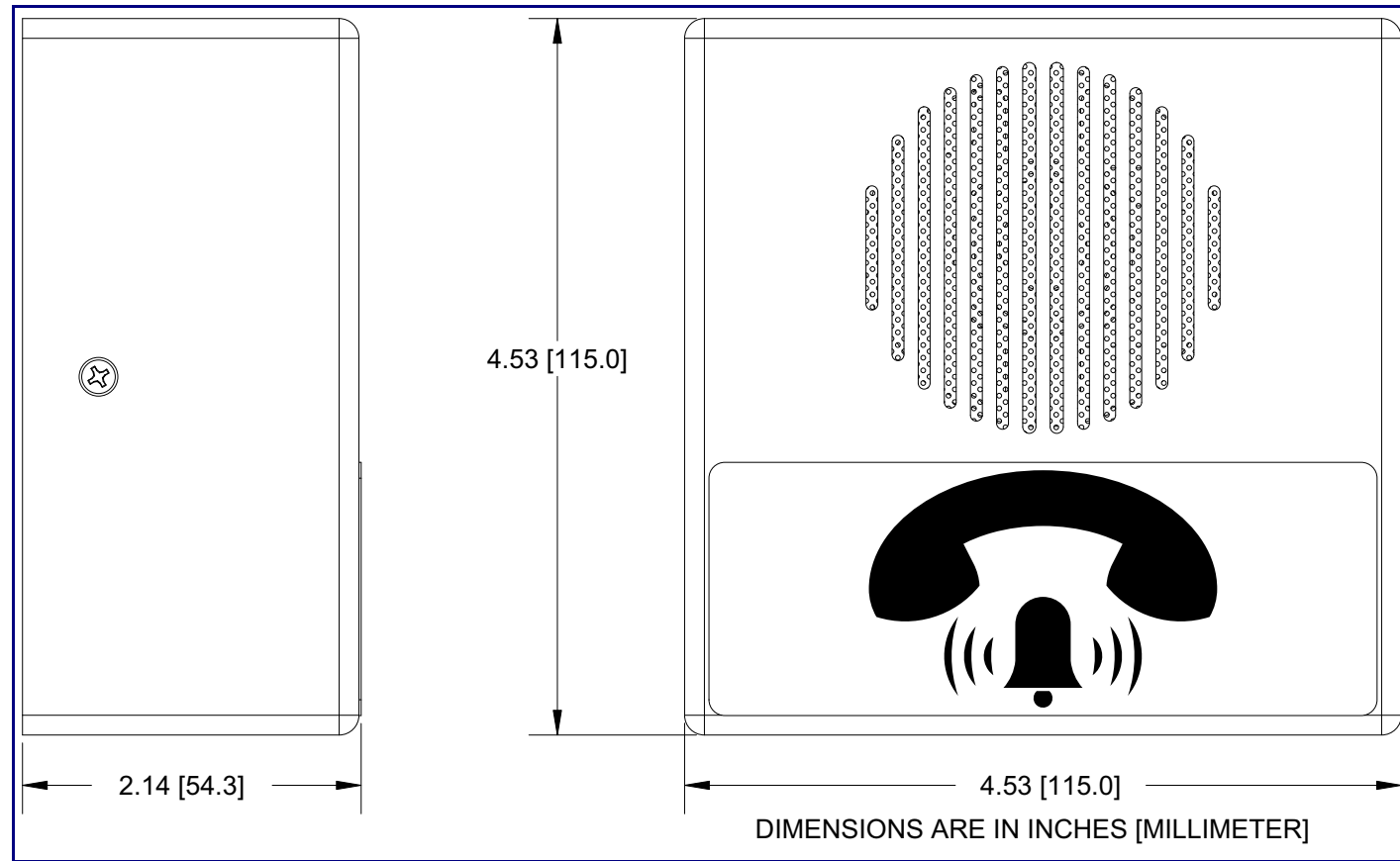
Getting Started

- Download the *Operations Guide* PDF file, from the **Downloads** tab at the following webpage:
<https://www.cyberdata.net/products/011311>
- Create a plan for the locations of your Office Ringers.
- **WARNING: This product should be installed by a licensed electrician according to all local electrical and building codes.**
- **WARNING: To prevent injury, this apparatus must be securely attached to the floor/wall in accordance with the installation instructions.**
- **WARNING: The PoE connector is intended for intra-building connections only and does not route to the outside plant.**
- **WARNING: This enclosure is not rated for any AC voltages!**

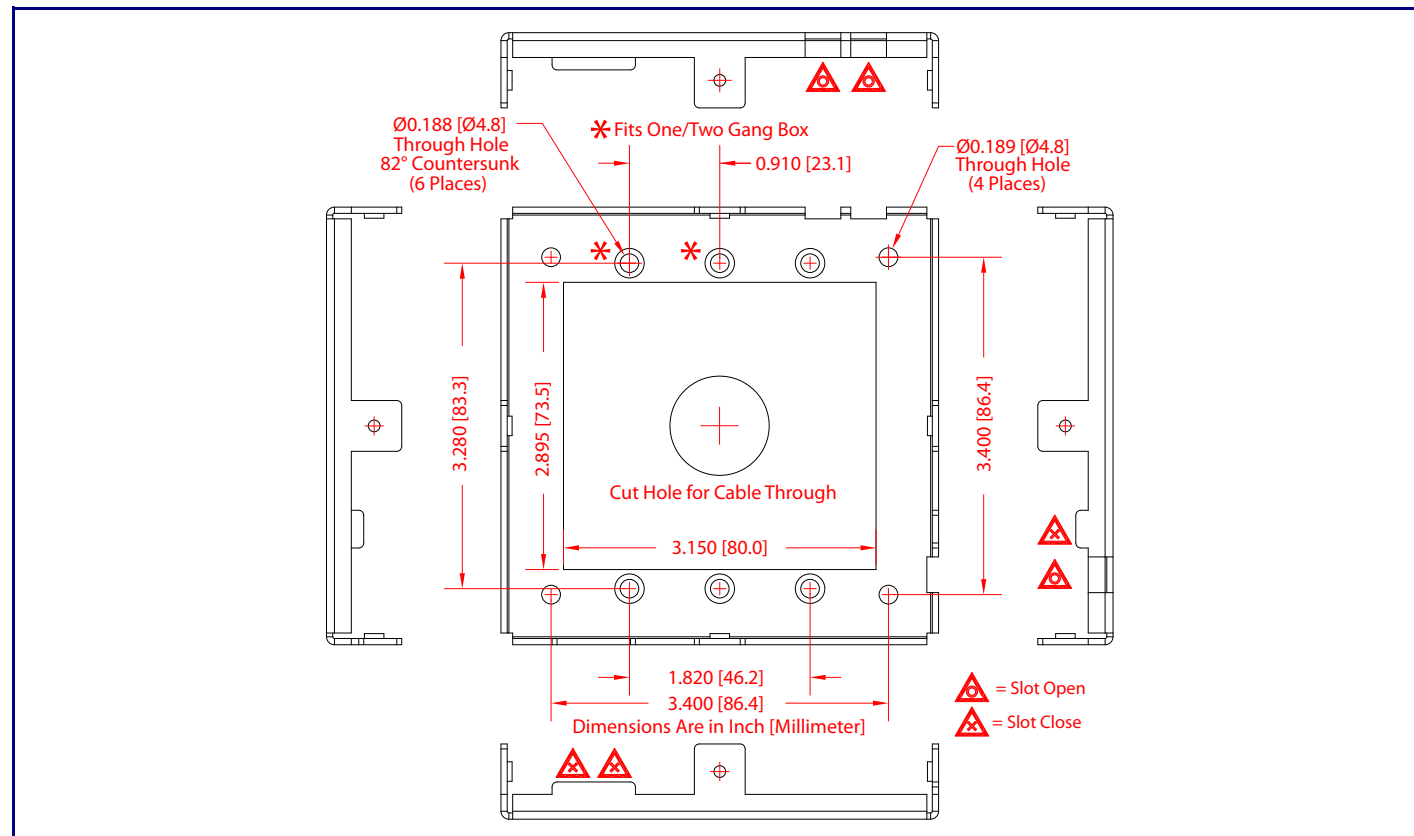
Parts

(1) Office Ringer Assembly 	(1) Wall Mounting Kit 	(1) Gang Box Mounting Kit 
---	--	--

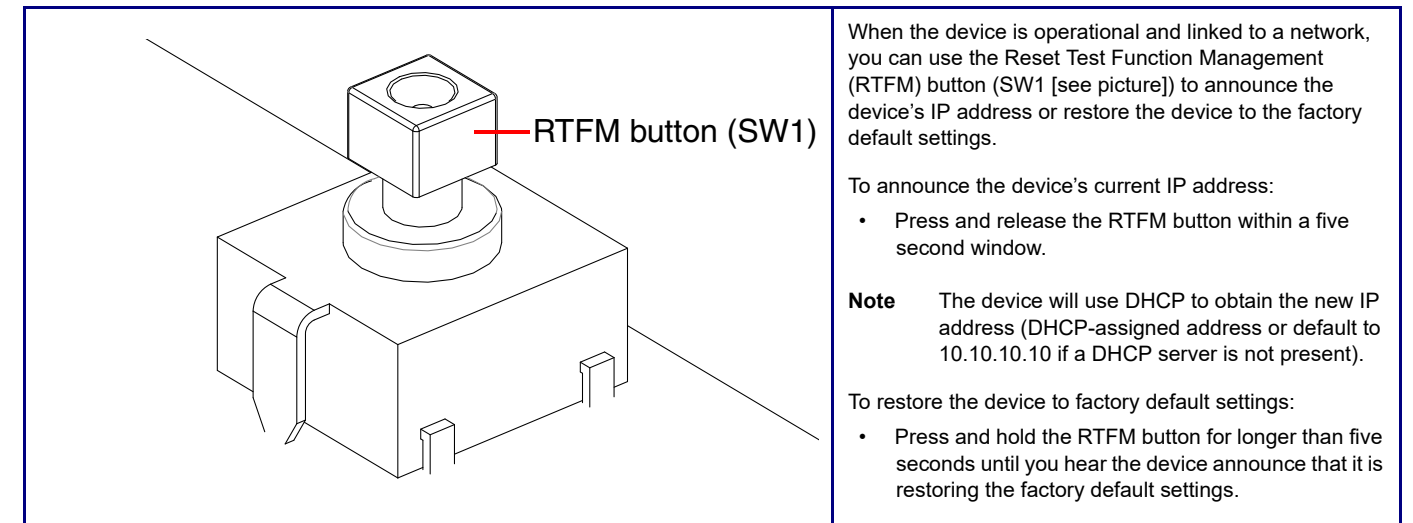
Dimensions



Dimensions for Wall Mounting and One / Two Gang Box Mounting



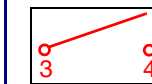
RTFM Button



Terminal Block Connections

Alternate Power Input:

- 1 = +8 to +12VDC @ 1000mA Regulated Power Supply*
- 2 = Power Ground*



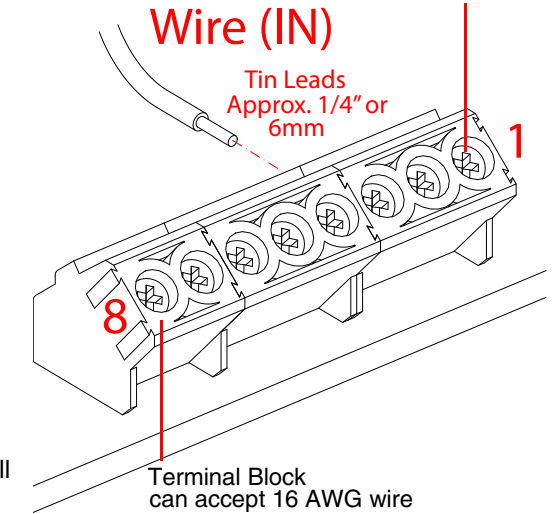
Relay Contact:

(1 A at 30 VDC for continuous loads)

- 3 = Relay Common
- 4 = Relay Normally Open Contact
- 5 = Sense Input
- 6 = Sense Ground
- 7 = Remote Switch "A"
- 8 = Remote Switch "B"

*Contacts 1 and 2 on the terminal block are only for powering the device from a non-PoE 12VDC power source as an alternative to Network PoE power. Use of these contacts for any other purpose will damage the device and void the product warranty.

Use a 3.17 mm (1/8-inch) flat blade screwdriver for the terminal block screws



Plug in the Network Cable and Create Service Loop

