

PoE Clock

011313



Default Settings	
IP addressing	DHCP
Time format	24 hour format
Time colon setting	Flashing colon
Light intensity setting	Auto Intensity (ambient light sense)
Time zone	Time Zone UTC -8
Daylight savings time	DST on the first Sunday in March 02:00
Standard time	Standard Time on the first Sunday November 02:00
NTP update setting	NTP update every 24 hours

Getting Started

- The PoE Clock Configuration Utility program is Windows-based software used for setting up the CyberData PoE Clock and display.
- You can download the configuration utility program from the **Downloads** tab at the following webpage:

<http://www.cyberdata.net/voip/011313/>

- You can download the Operations Guide from the **Downloads** tab at the following webpage:

<http://www.cyberdata.net/voip/011313/>

- Note: Upon installation of the clock, please place the shunt over JP1. A shunt is left hanging next to the coin cell.**

Error Codes

There are two error codes that can be shown by the clock. These messages are displayed briefly on the display of the clock after it has been powered.

- E 01** which means there is a memory corruption. The device should correct this when it is synced with NTP.
- E 02** which means no battery or low battery. This means that the JP 1 has not been connected or it could also mean that the battery is dead.

WARNING: Electrical Hazard: Hazardous voltages may be present. No user serviceable part inside. Refer to qualified service personnel for connecting or servicing.

WARNING: This product should be installed by a licensed electrician according to all local electrical and building codes.

WARNING: To prevent injury, this apparatus must be securely attached to the floor/wall in accordance with the installation instructions.

WARNING: The PoE connector is intended for intra-building connections only and does not route to the outside plant.

WARNING: This enclosure is not rated for any AC voltages!

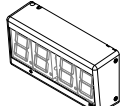


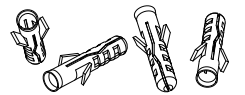
WARNING: Do not exceed the maximum allowable number of clocks connected to each PoE injector or switch:

AF compliant injector/switch - 2 units*

AT compliant injector/switch - 3 units*

*Refer to your PoE injector/switch datasheet for power-related information

Parts

(1) PoE Clock 	(1) Wall Mounting Kit 	(4) #6 x 1.5 inches sheet metal screw 	(4) #6 ribbed plastic anchor 
--	--	--	---

Contacting CyberData

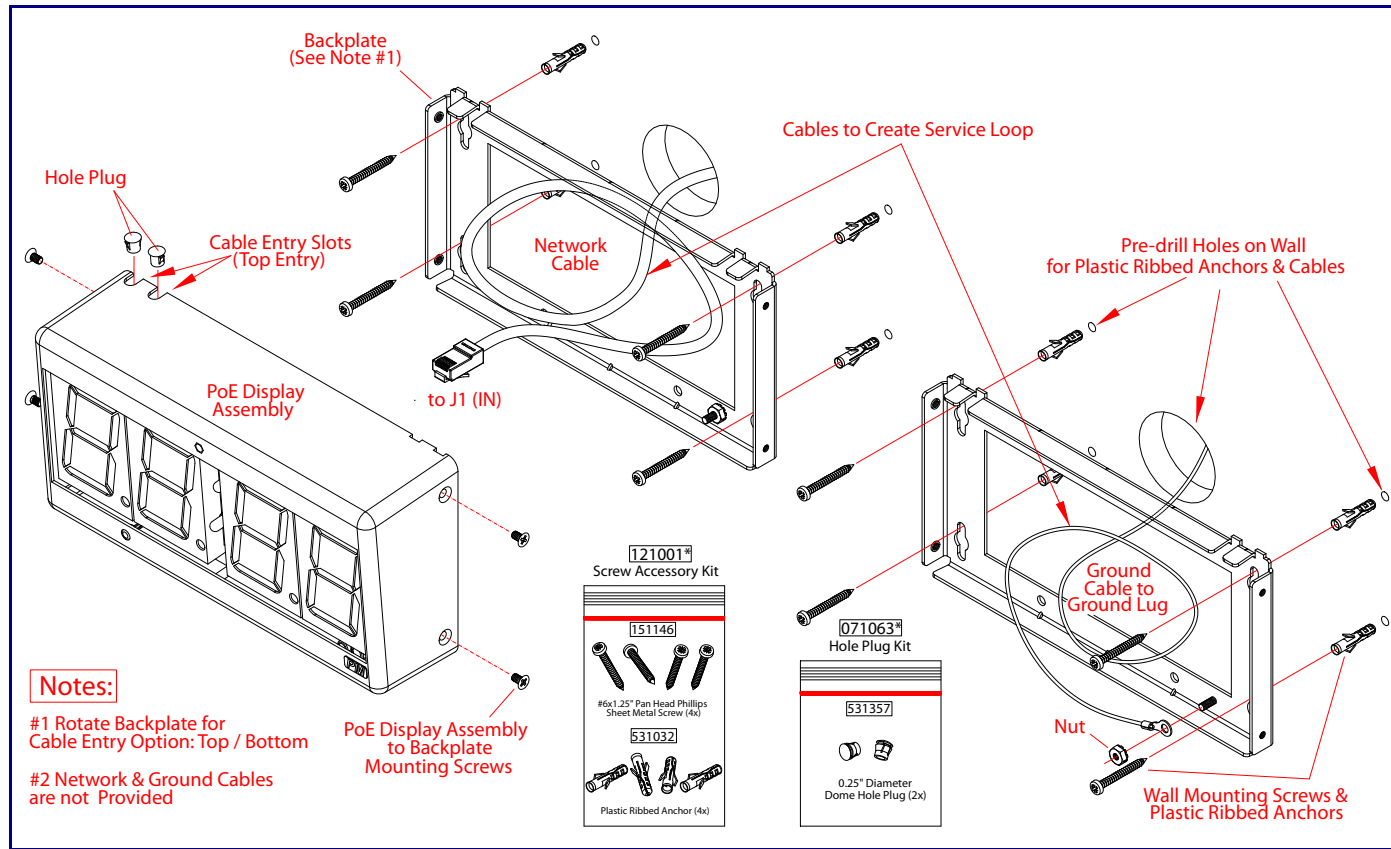
Corporate Headquarters

CyberData Corporation
3 Justin Court
Monterey, CA 93940, USA

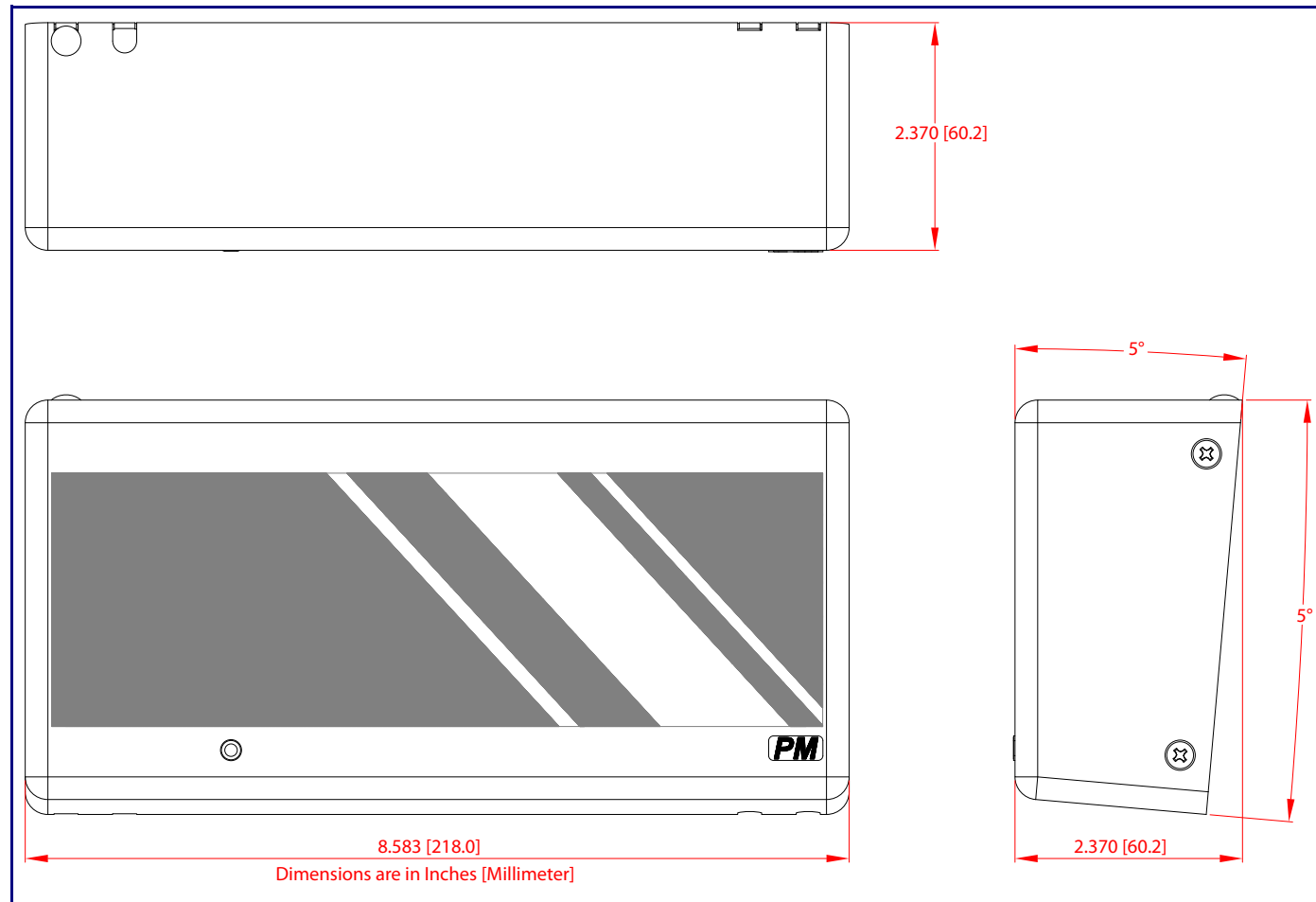
Phone: 831-373-2601
Fax: 831-373-4193
<http://www.cyberdata.net/>

Sales: (831) 373-2601 ext. 334
Support: 831-373-2601 ext. 333
Support Website: <http://support.cyberdata.net/>
RMA Department: (831) 373-2601 ext. 136
RMA Email: RMA@CyberData.net
RMA Status: <http://support.cyberdata.net/>
Warranty Information: <http://support.cyberdata.net/>

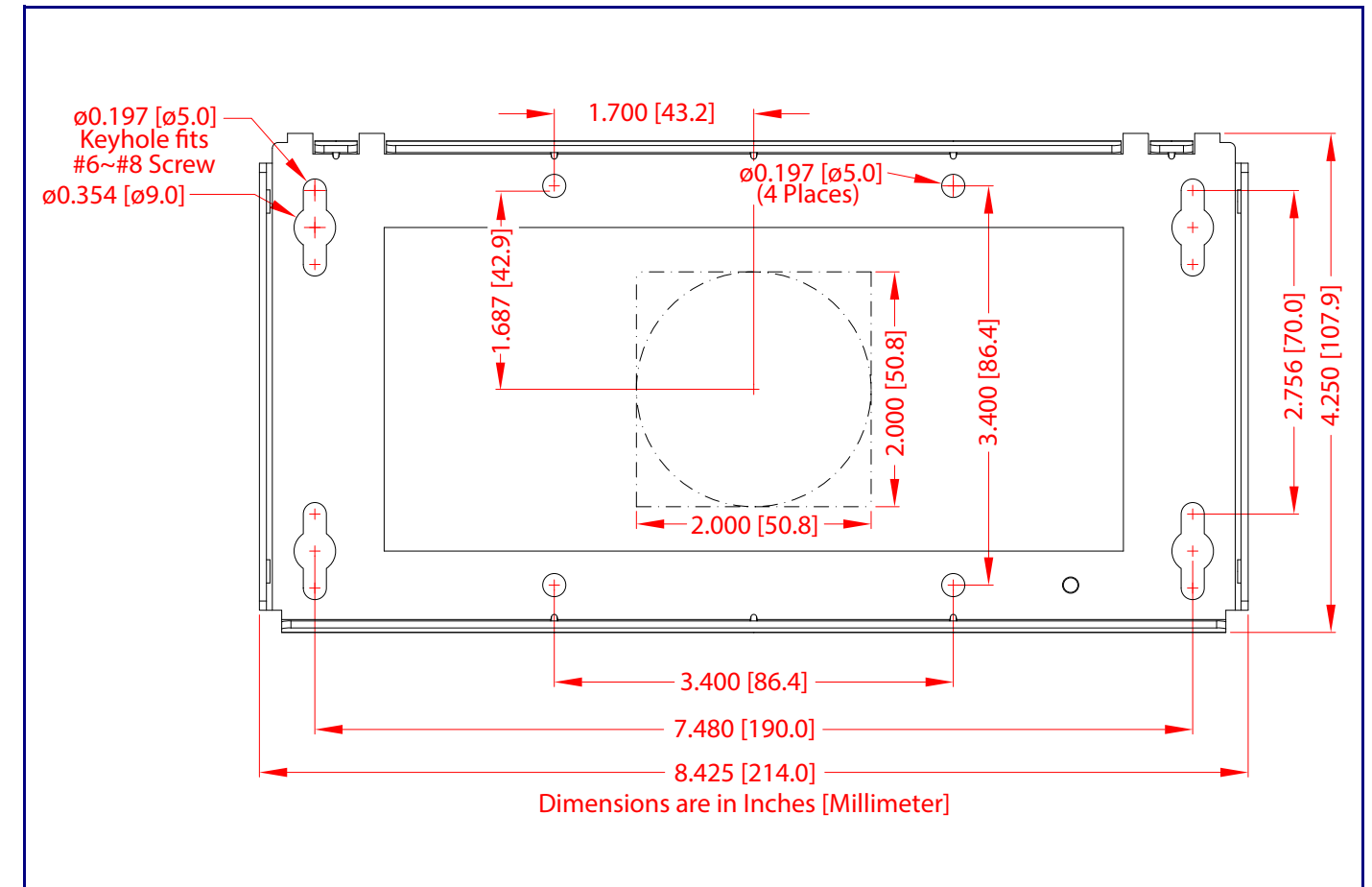
PoE Pass-through Connections



Dimensions



Recommended Wall Cutout Dimensions



Wall Mounting

