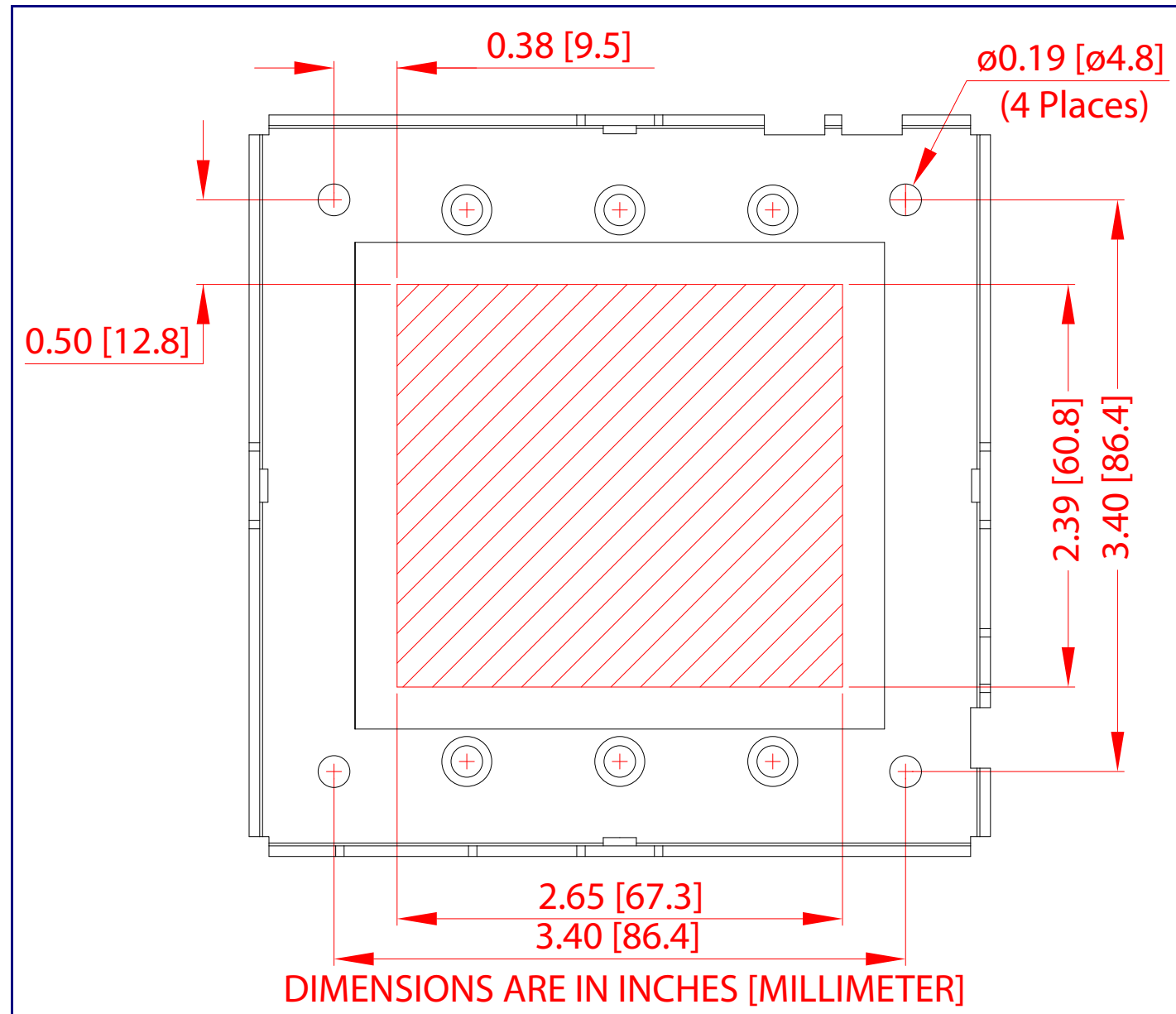


Wall Mounting with Single or Two Gang Box



CyberData *Installation Quick Reference* The IP Endpoint Company **SIP RGB Strobe** **011376**



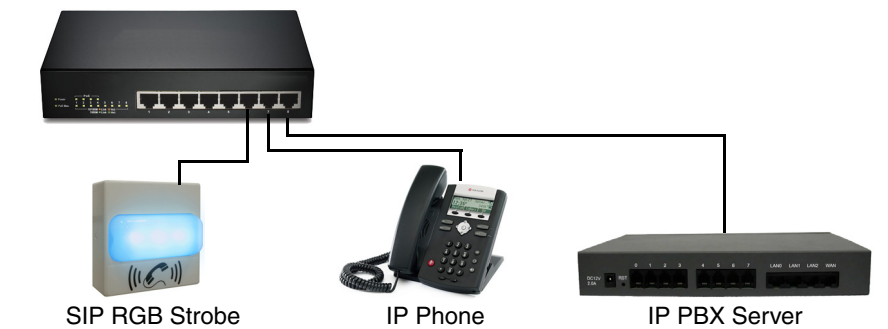
Parameter	Factory Default Setting
IP Addressing	DHCP
IP Address ^a	10.10.10.10
Web Access Username	admin
Web Access Password	admin
Subnet Mask ^a	255.0.0.0
Default Gateway ^a	10.0.0.1

a. Default if there is not a DHCP server present.

Typical System Installation

*More installation and mounting options are available in the Operations Guide.

802.3af Compliant Ethernet Switch



Getting Started

- Download the *SIP RGB Strobe Operations Guide* PDF file, from the SIP RGB Strobe product page at: <http://www.cyberdata.net/voip/011376/>
- Create a plan for the locations of your SIP RGB Strobes.
- **WARNING:** This product should be installed by a licensed electrician according to all local electrical and building codes.
- **WARNING:** To prevent injury, this apparatus must be securely attached to the floor/wall in accordance with the installation instructions.
- **WARNING:** The PoE connector is intended for intra-building connections only and does not route to the outside plant.
- **WARNING:** This enclosure is not rated for any AC voltages!

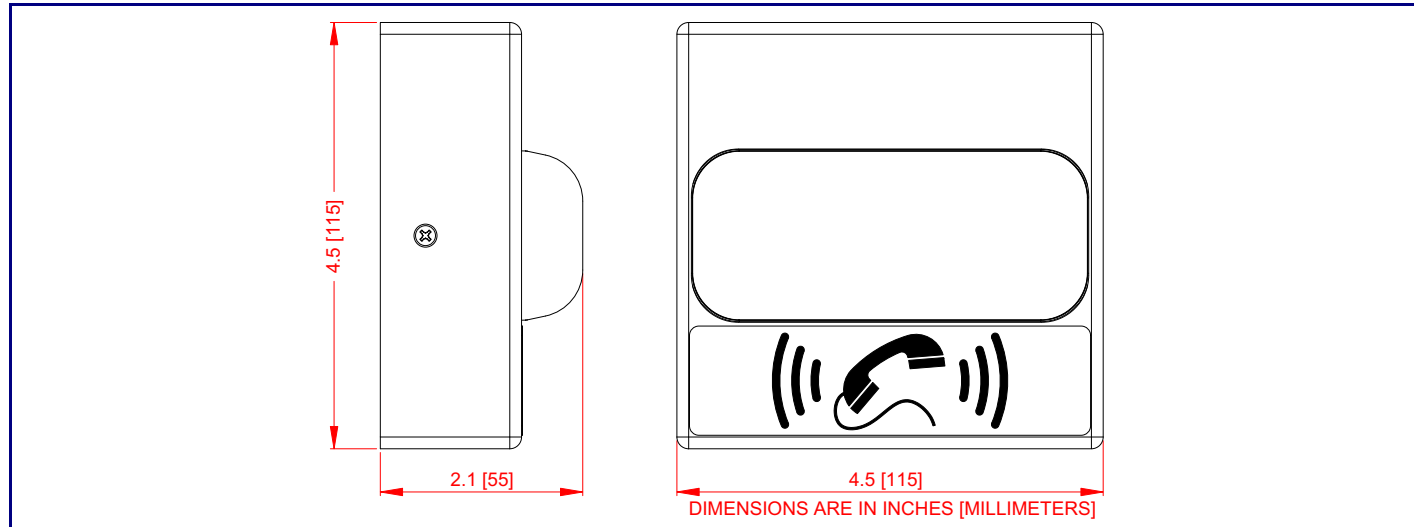
Contacting CyberData

Corporate Headquarters	
CyberData Corporation 3 Justin Court Monterey, CA 93940, USA Phone: 831-373-2601 Fax: 831-373-4193 http://www.cyberdata.net/	Sales: (831) 373-2601 ext. 334 Support: 831-373-2601 ext. 333 Support Website: http://support.cyberdata.net/ RMA Department: (831) 373-2601 ext. 136 RMA Email: RMA@CyberData.net RMA Status: http://support.cyberdata.net/ Warranty Information: http://support.cyberdata.net/

RGB Strobe Parts

(1) RGB Strobe Assembly 	(1) Wall Mounting Kit (4) #6 x 1.5 inches Sheet Metal Screw (4) #6 Ribbed Plastic Anchor	(1) Gang Box Mounting Kit (4) #6-32 x 0.625-inch Flat-Head Machine Screw
------------------------------------	---	--

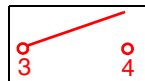
Dimensions



Connections

Alternate Power Input:

- 1 = +8 to +12VDC @ 1000mA Regulated Power Supply*
- 2 = Power Ground*

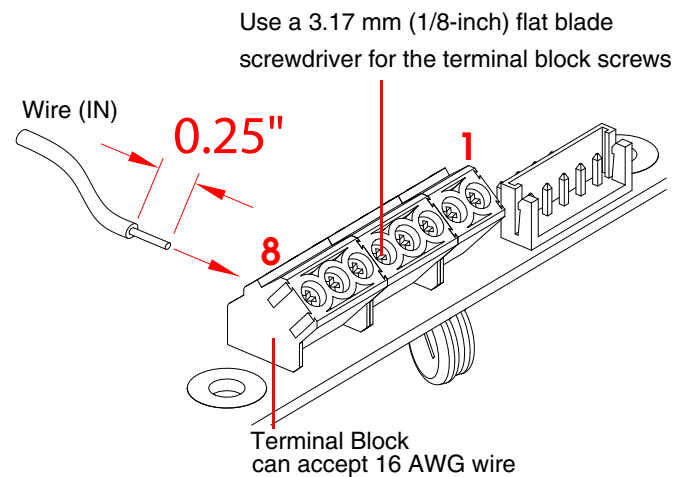


Relay Contact:

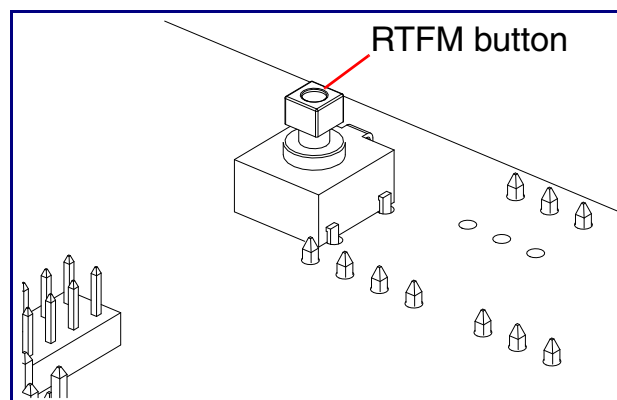
(1 A at 30 VDC for continuous loads)

- 3 = Relay Common
- 4 = Relay Normally Open Contact
- 5 = Sense Input
- 6 = Sense Ground
- 7 = Remote Switch "A"
- 8 = Remote Switch "B"

*Contacts 1 and 2 on the terminal block are only for powering the device from a non-PoE 12VDC power source as an alternative to Network PoE power. Use of these contacts for any other purpose will damage the device and void the product warranty.



RTFM Button

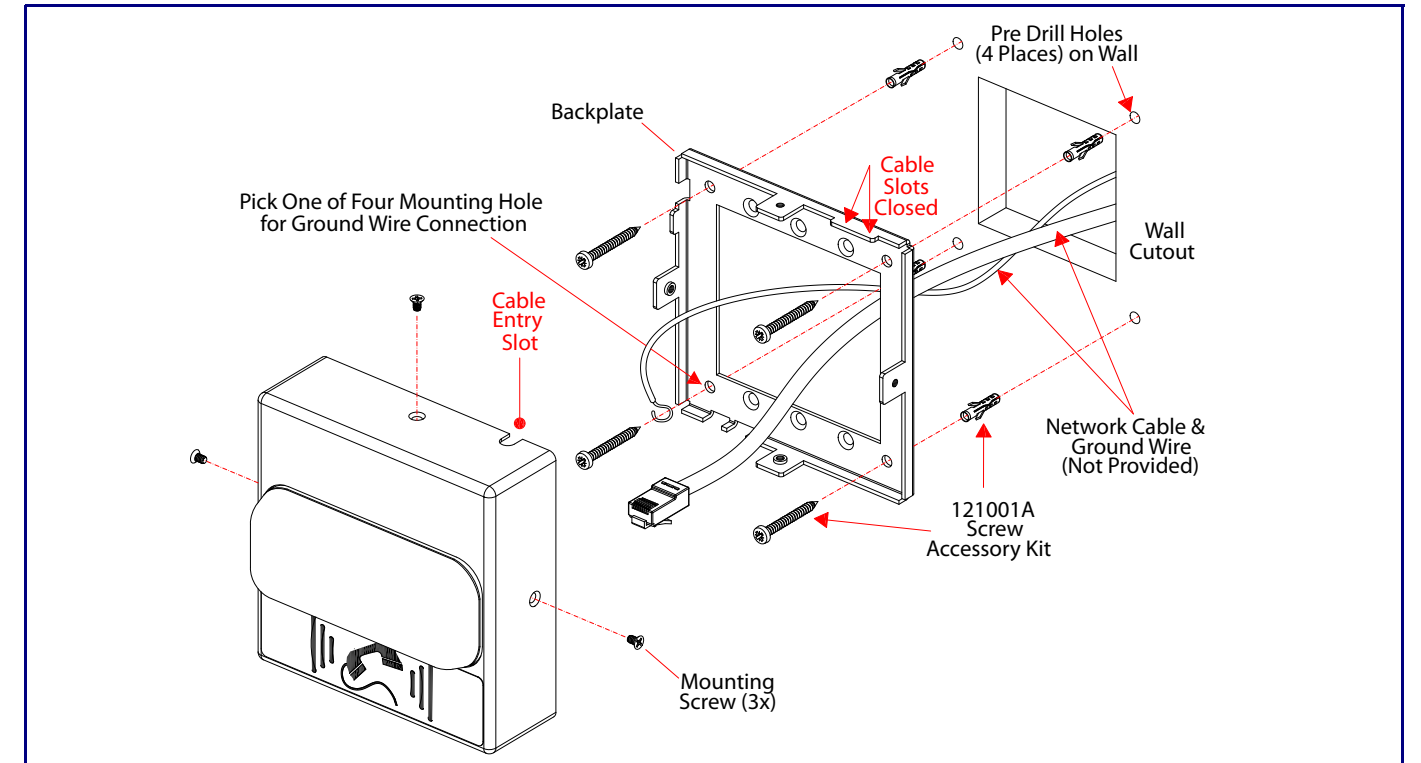


When the device is operational and linked to a network, you can use the Reset Test Function Management (RTFM) button (SW1) to restore the device to the factory default settings.

To restore the device to factory default settings:

- Press and hold the RTFM button for seven seconds, and then release the RTFM button.

Wall Mounting Option



Wall Mounting with Single or Two Gang Box

