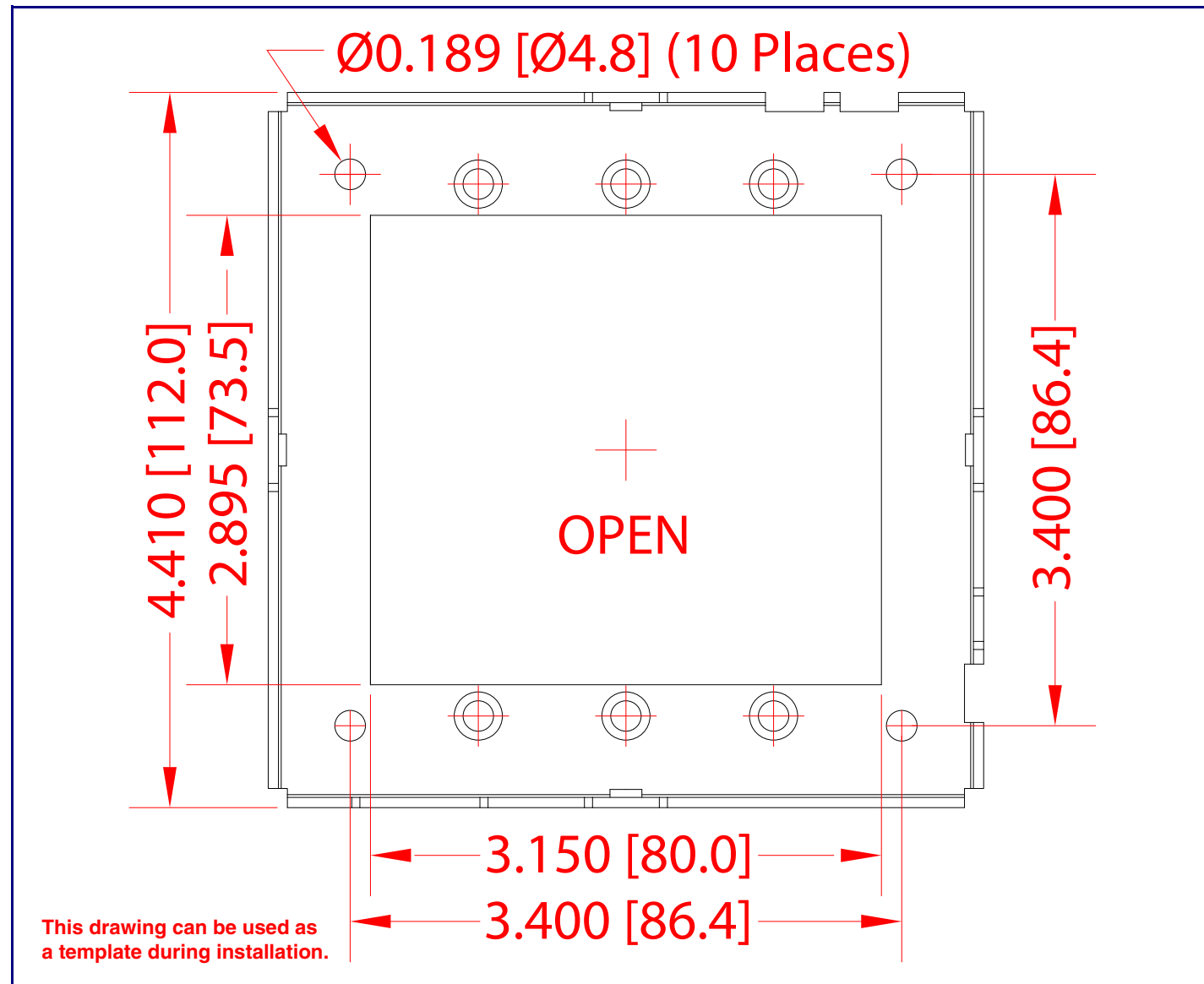


Maximum Recommended Wall Cutout Dimensions



Contacting CyberData

Corporate Headquarters

CyberData Corporation
3 Justin Court
Monterey, CA 93940, USA

Phone: 831-373-2601
Fax: 831-373-4193
<https://www.cyberdata.net/>

Sales: 831-373-2601 ext. 334
Support: 831-373-2601 ext. 333
Support Website: <https://support.cyberdata.net/>
RMA Department Contact and Status: <https://support.cyberdata.net/>
Warranty Information: <https://support.cyberdata.net/>

CyberData *Installation Quick Reference* The IP Endpoint Company *SIP RGB (Multi-Color) Strobe* **011376**



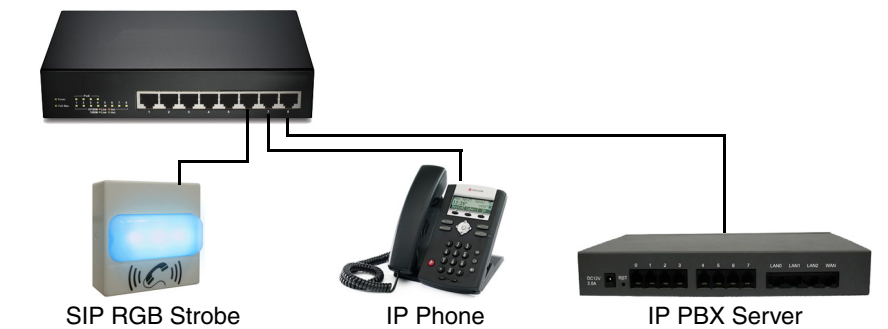
Parameter	Factory Default Setting
IP Addressing	DHCP
IP Address ^a	192.168.1.23
Web Access Username	admin
Web Access Password	admin
Subnet Mask ^a	255.255.255.0
Default Gateway ^a	192.168.1.1

a. Default if there is not a DHCP server present.

Typical System Installation

*More installation and mounting options are available in the Operations Guide.

802.3af Compliant Ethernet Switch



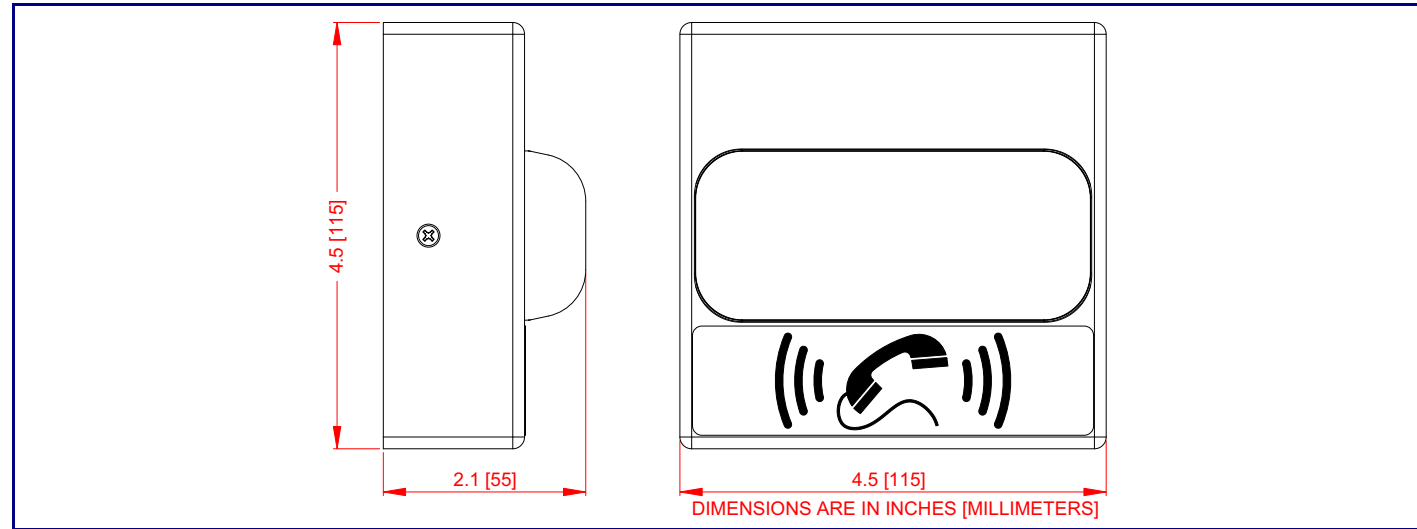
Getting Started

- Download the *SIP RGB (Multi-Color) Strobe Operations Guide* PDF file, from the SIP RGB (Multi-Color) Strobe product page at: <https://www.cyberdata.net/products/011376>
- Create a plan for the locations of your SIP RGB (Multi-Color) Strobes.
- **WARNING:** This product should be installed by a licensed electrician according to all local electrical and building codes.
- **WARNING:** To prevent injury, this apparatus must be securely attached to the floor/wall in accordance with the installation instructions.
- **WARNING:** The PoE connector is intended for intra-building connections only and does not route to the outside plant.
- **WARNING:** This enclosure is not rated for any AC voltages!

RGB Strobe Parts

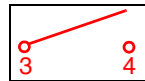
(1) RGB Strobe Assembly 	(1) Wall Mounting Kit (4) #6 x 1.5 inches Sheet Metal Screw (4) #6 Ribbed Plastic Anchor	(1) Gang Box Mounting Kit (4) #6-32 x 0.625-inch Flat-Head Machine Screw
------------------------------------	-------------------------------------------------------------------------------------------------------	------------------------------------------------------------------------------------

Dimensions



Connections

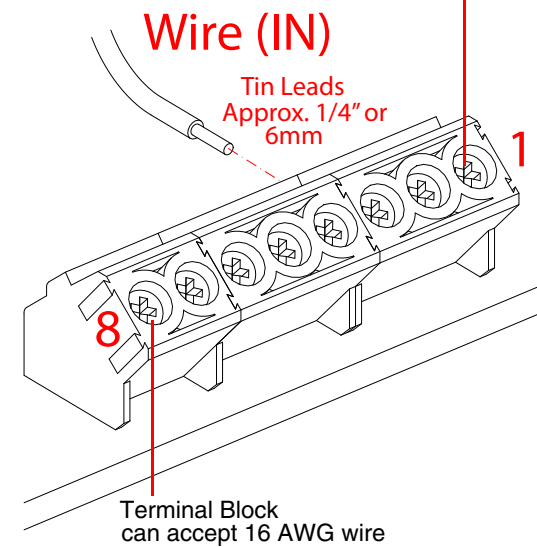
Alternate Power Input:
 1 = +8 to +12VDC @ 1000mA Regulated Power Supply*
 2 = Power Ground*



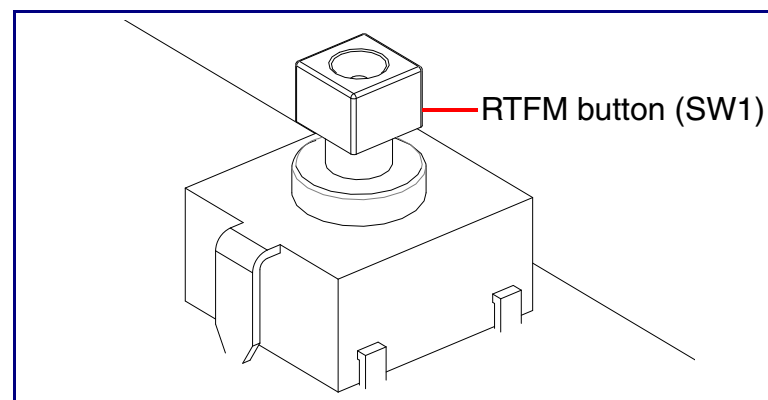
Relay Contact:
 (1 A at 30 VDC for continuous loads)
 3 = Relay Common
 4 = Relay Normally Open Contact
 5 = Sense Input
 6 = Sense Ground
 7 = Remote Switch "A"
 8 = Remote Switch "B"

*Contacts 1 and 2 on the terminal block are only for powering the device from a non-PoE 12VDC power source as an alternative to Network PoE power. Use of these contacts for any other purpose will damage the device and void the product warranty.

Use a 3.17 mm (1/8-inch) flat blade screwdriver for the terminal block screws



RTFM Button

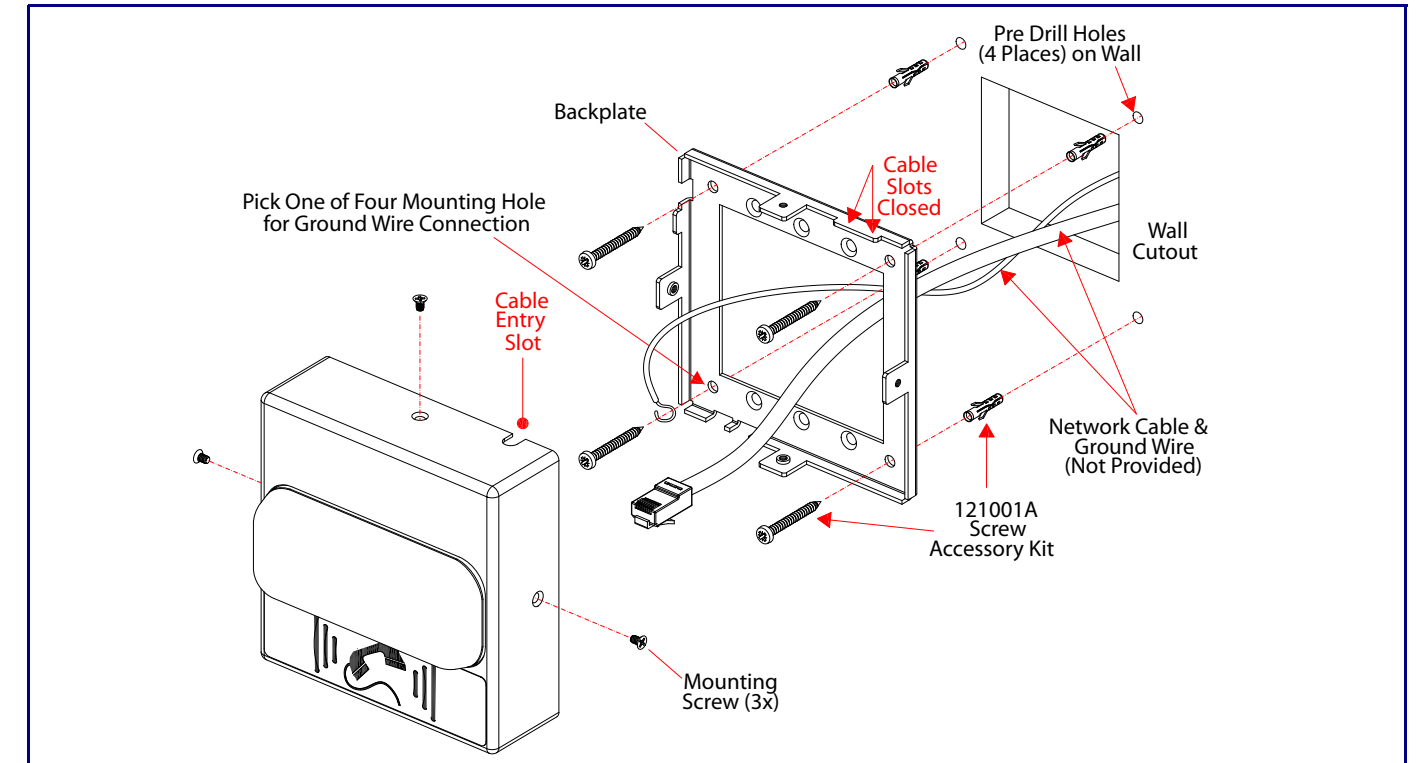


When the device is operational and linked to a network, you can use the Reset Test Function Management (RTFM) button (SW1) to restore the device to the factory default settings.

To restore the device to factory default settings:

- Press and hold the RTFM button for seven seconds, and then release the RTFM button.

Wall Mounting Option



Wall Mounting with Single or Two Gang Box

