

# SIP RGB (Multi-Color) Strobe

The wall-mounted SIP RGB (Multi-Color) Strobe operates as a visual alerting device. The device can be set up as part of a ring group or page group with the Strobe engaged as notification of incoming calls or pages.

The SIP RGB (Multi-Color) Strobe may also be activated by being part of a Multicast group. When audio is detected on a specific Multicast address and port, the strobe will activate. Users can program or listen to up to 10 Multicast addresses.

Through a web page setup, you can have the SIP RGB (Multi-Color) Strobe respond to message waiting signals by blinking. When the message has been heard, the strobe stops blinking.

Multiple colors, blink rate and brightness can be selected for each of the different activation methods

Users may also use CyberData's HTTP command set to directly access the strobe's functions.

CyberData's SIP enabled VoIP products are compatible with a vast majority of VoIP systems including SBCs, Gateways, and phone systems both on-premise or cloud-based.

## Features

- Meets ADA requirements for telephony signaling and notification
- Simultaneous SIP and multicast
- Night Ringer function - second SIP extension that can be configured with its own strobe scene
- Door closure and tamper alert signals
  
- TLS 1.2 (including mutual authentication) and SRTP enhanced security for IP Endpoints in a local or cloud-based environment
- Autoprovisioning via HTTP, HTTPS, or TFTP
- HTTPS or HTTP web based configuration. HTTPS is enabled by default.
- Configurable event generation for device health and status monitoring
- 802.11q VLAN tagging
- HTTP command interface
- Support for Cisco SRST resiliency

## Indoor Use areas include:

- Sales and support mailbox indication
- Classrooms, courtrooms and offices
- Banks or financial institutions
- Manufacturing warehouses



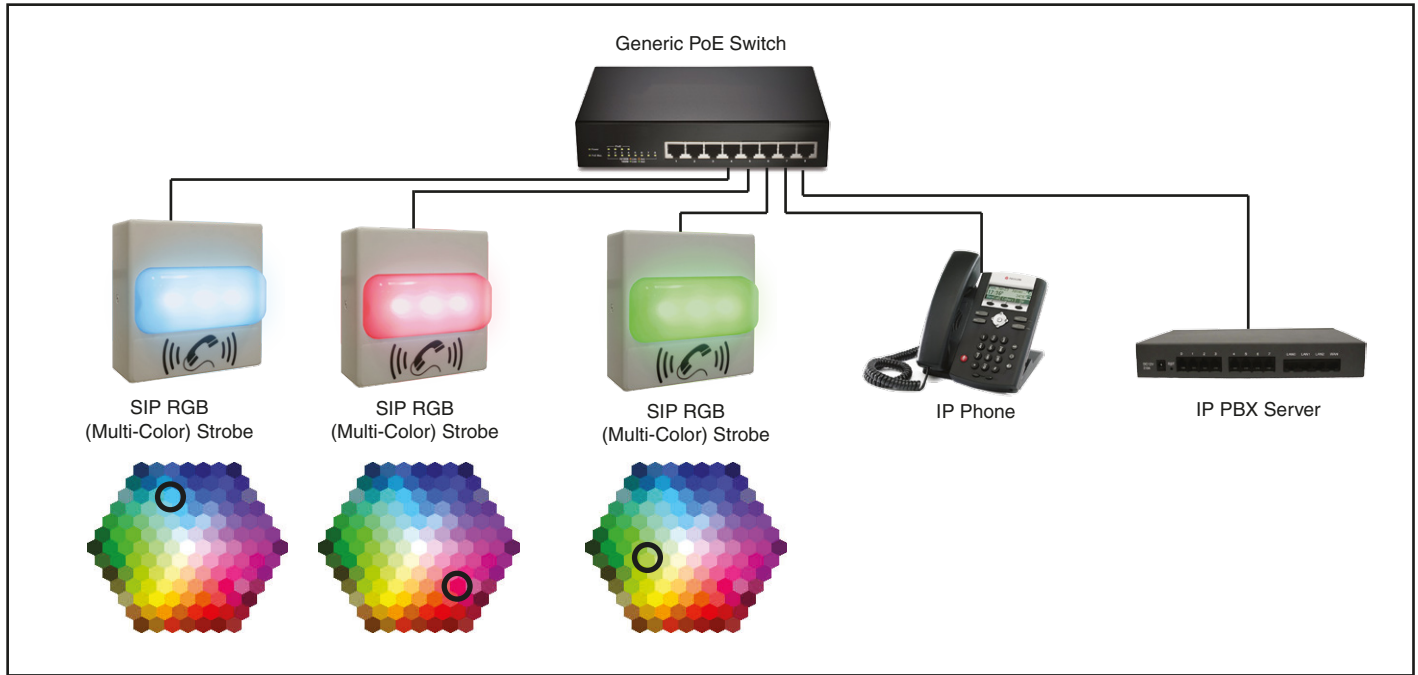
## Specifications

Ethernet I/F	10/100 Mbps
Protocol	SIP RFC 3261 Compatible
Power Input	PoE 802.3af compliant or +8 to +12VDC @ 1000mA Regulated Power Supply (not included)
Flash rate	5 user-defined scenes
LED MTBF	100,000 Hours
On-Board Relay	1A @ 30 VDC
Network Security	TLS 1.2, SRTP, HTTPS
Payload Types	G.711 a-law, G.711 $\mu$ -law, G.722, and G.729
Operating Range	Temperature: -40° C to 55° C (-40° F to 131° F) Humidity: 5-95%, non-condensing
Storage Temperature	-40° C to 70° C (-40° F to 158° F)
Storage Altitude	Up to 15,000 ft. (4573 m)
Dimensions*	4.5 inches [115 mm] Length 2.1 inches [55 mm] Width 4.5 inches [115 mm] Height
Weight	1.0 lbs. [0.45 kg]
Boxed Weight	2.0 lbs. [0.90 kg]
Compliance	CE: EMC Directive – Class A EN 55032 & EN 55024, LV Safety Directive – EN 62368-1; RoHS Compliant; FCC Part 15 Class A; Industry Canada ICES-3 Class A; IEEE 802.3 Compliant; TAA Compliant
Warranty	2 Years Limited
Part Number	011376

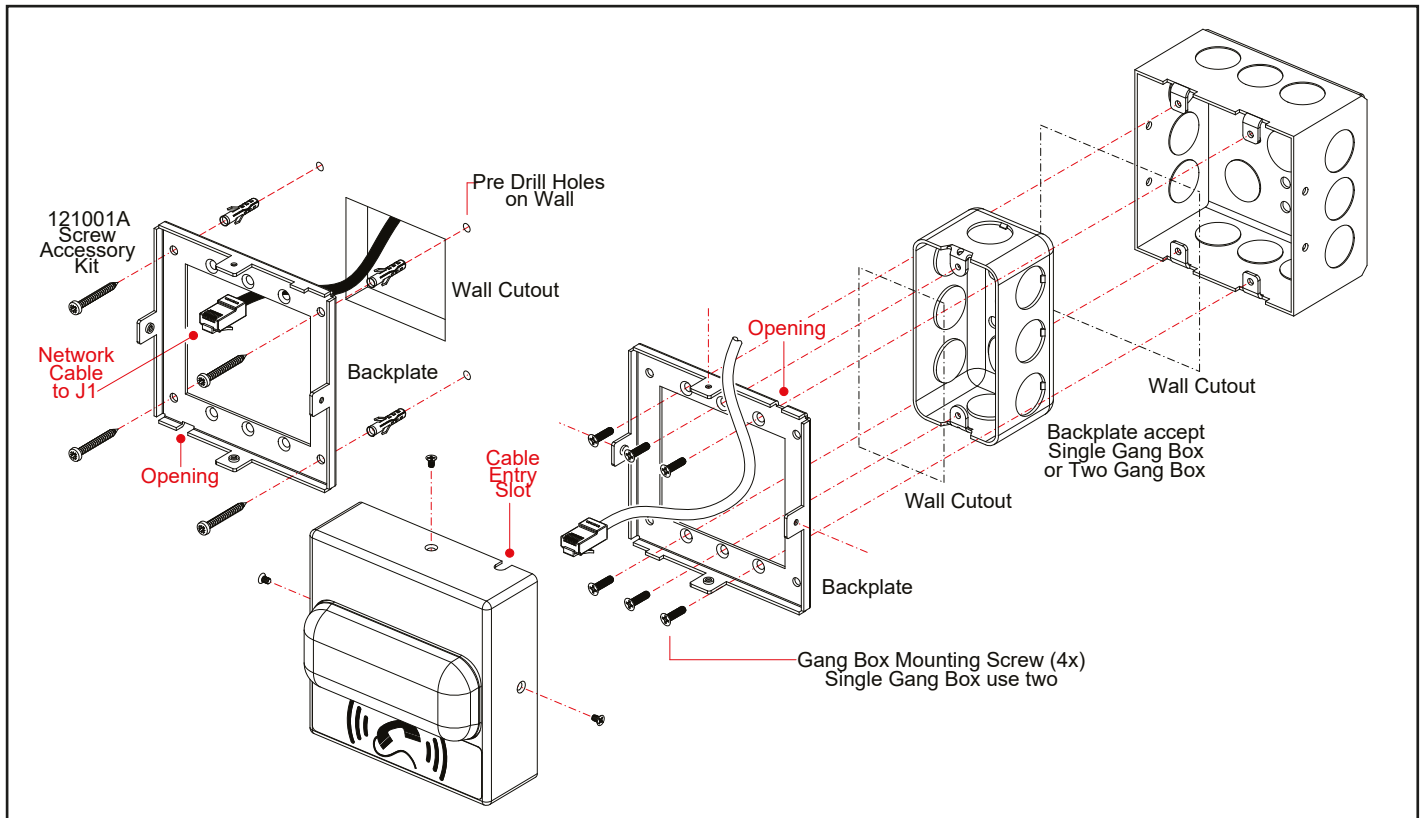
\*Dimensions are measured from the perspective of the product being upright with the front of the product facing you.

# SIP RGB (Multi-Color) Strobe

## Typical Installation

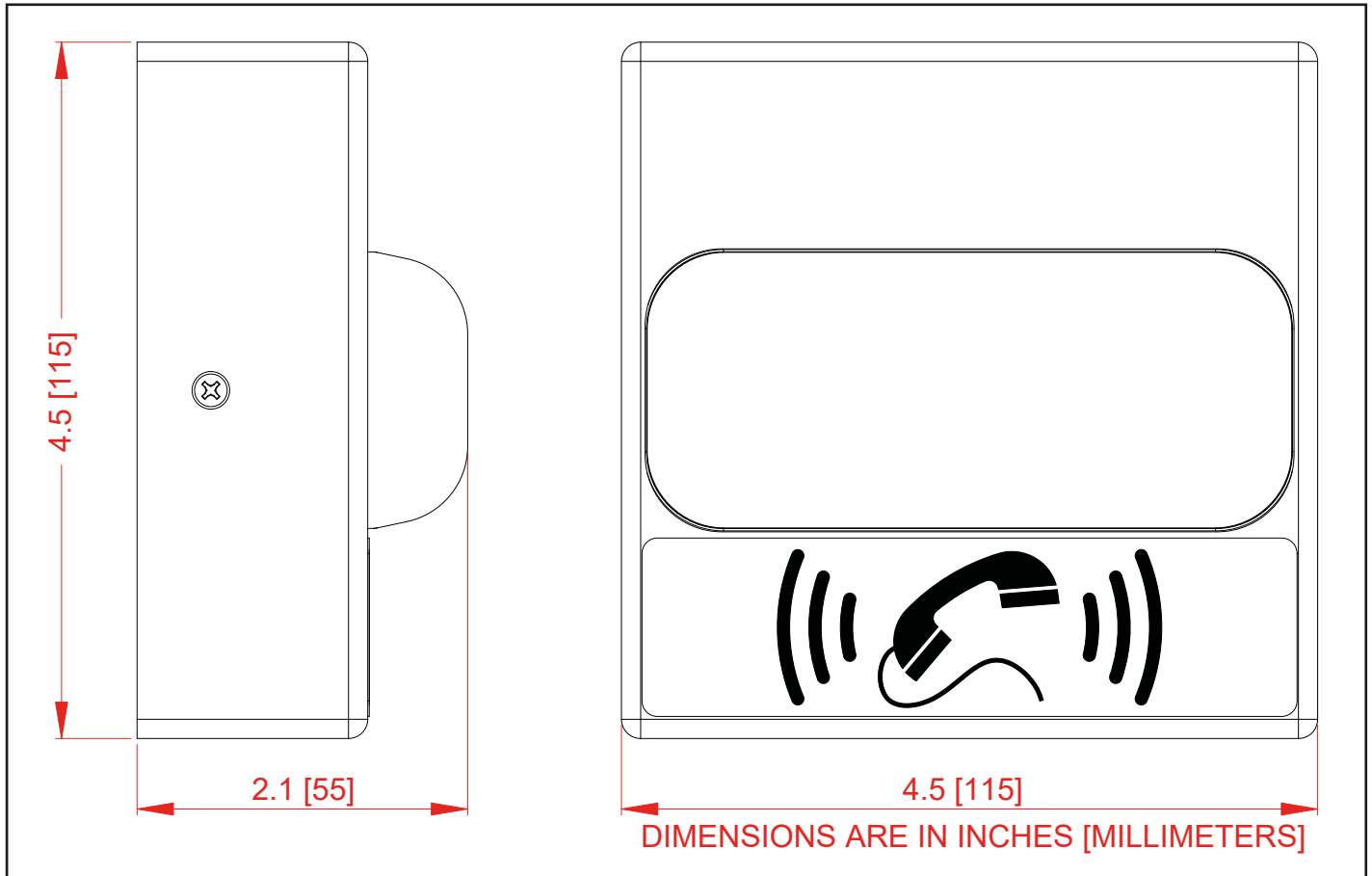


## Mounting Options



# SIP RGB (Multi-Color) Strobe

## Dimensions



### Related Products:



011146 SIP Paging Server with Bell Scheduler