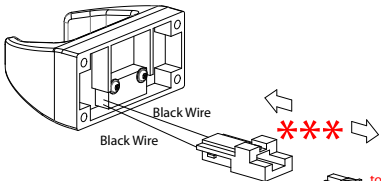


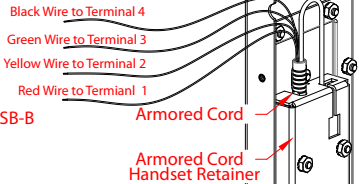
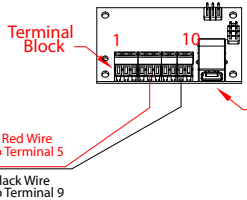
Use Provided #00 Screw Driver
to Install Wires to Terminal Block

Hookswitch



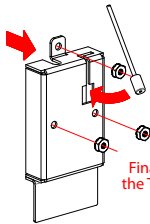
Disconnect Before Proceed

USB to Analog
Audio Module (UAAM)



3c

Slide Armored Cord &
Lanyard Stop into Slot.



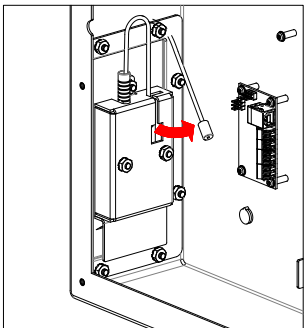
3d

Finally, Re-install
the Three Hex Nuts.

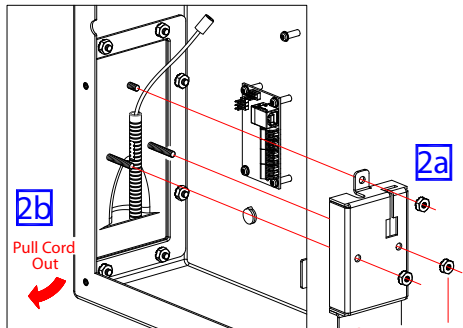
Tool Required to Remove Hex Nut:
1) 11/32" or 9mm Socket & Socket Wrench

To Remove Damaged Armored Cord Handset:

1 Slide Out Lanyard Stop from
Armored Cord Handset Retainer:



2 To Remove the Armored Cord Handset Retainer
by Removing the Three Hex Nuts;
Also Disconnect Wires from UAAM (See Above Diagram).



3

Re-install Armored Cord Handset:

