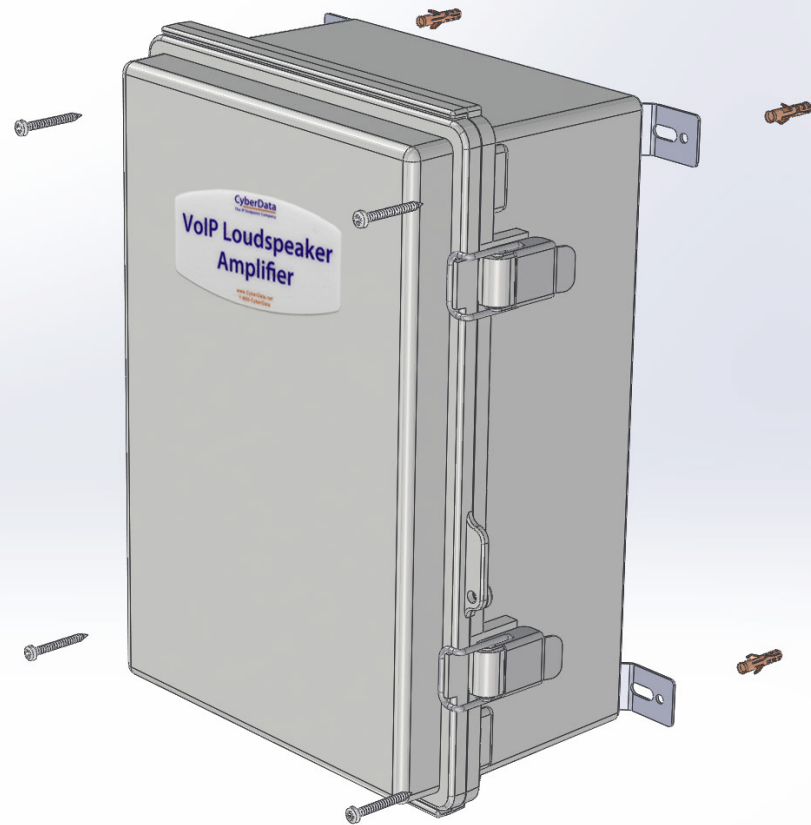


Mounting the Enclosure

To mount the enclosure:

1. Prepare holes for the screws.
2. Plug in the power adapter and use the **Power (PWR)** LED to verify that the power is on.
3. Plug the ethernet cable into the device. The **Link/Activity (Link/Act.)** LED verifies the network connection.
4. For wall mounting, use the three #8 x 1-1/4-inch Pan Head Phillips Self-Tapping Screws.



CyberData
The IP Endpoint Company

Installation Quick Reference InformaCast Enabled Loudspeaker Amplifier (AC-Powered) SIP Compliant 011406



Parameter	Factory Default Setting
IP Addressing	DHCP
IP Address ^a	10.10.10.10
Web Access Username	admin
Web Access Password	admin
Subnet Mask ^a	255.0.0.0
Default Gateway ^a	10.0.0.1

a. Default if there is not a DHCP server present.

Getting Started

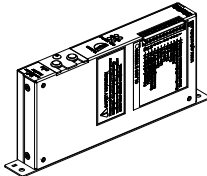

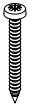
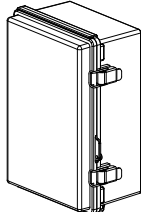
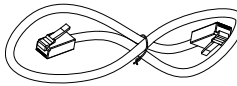
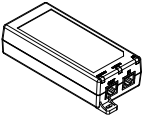
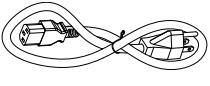
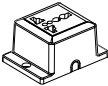
- Download the *InformaCast Enabled Loudspeaker Amplifier Operations Guide* PDF file from the **Documents** tab at the following webpage: <https://www.cyberdata.net/products/011406>
- Create a plan for the locations of your paging amplifiers.
- **WARNING: This product should be installed by a licensed electrician according to all local electrical and building codes.**
- **WARNING: To prevent injury, this apparatus must be securely attached to the floor/wall in accordance with the installation instructions.**
- **WARNING: The PoE connector is intended for intra-building connections only and does not route to the outside plant.**
- **WARNING: The InformaCast Enabled Loudspeaker Amplifier enclosure is not rated for any AC voltages!**

Wiring the 125V AC Plug

The green wire with the yellow stripe is a ground connection for electrostatic discharge (ESD) protection, and should not be removed.

To wire the 125V AC plug, consult a licensed electrician and the local building codes in your area.

Parts

(1) Assembly 	(1) Wall Mounting Kit	
	(4) #8 Plastic Anchors 	(4) #8 x 1-1/4" Pan Head Phillips Self-Tapping Screws 
(1) Enclosure 	Additional Parts	
	(1) CAT 5e/CAT6 cable 	(1) PoE Power Injector 
	(1) IEC Power Cord 	(1) Universal Receptacle 

Contacting CyberData

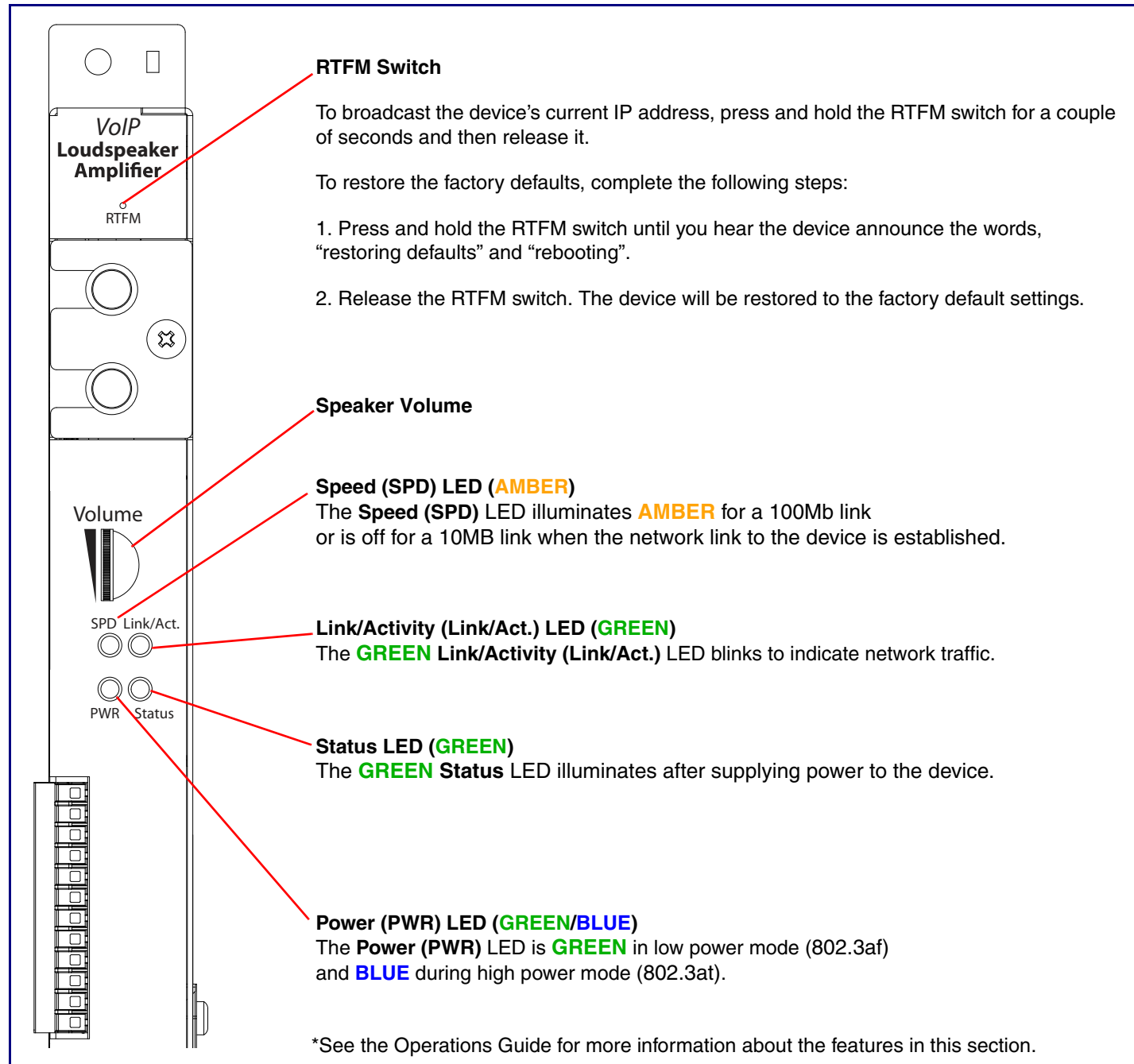
Corporate Headquarters

CyberData Corporation
3 Justin Court
Monterey, CA 93940, USA

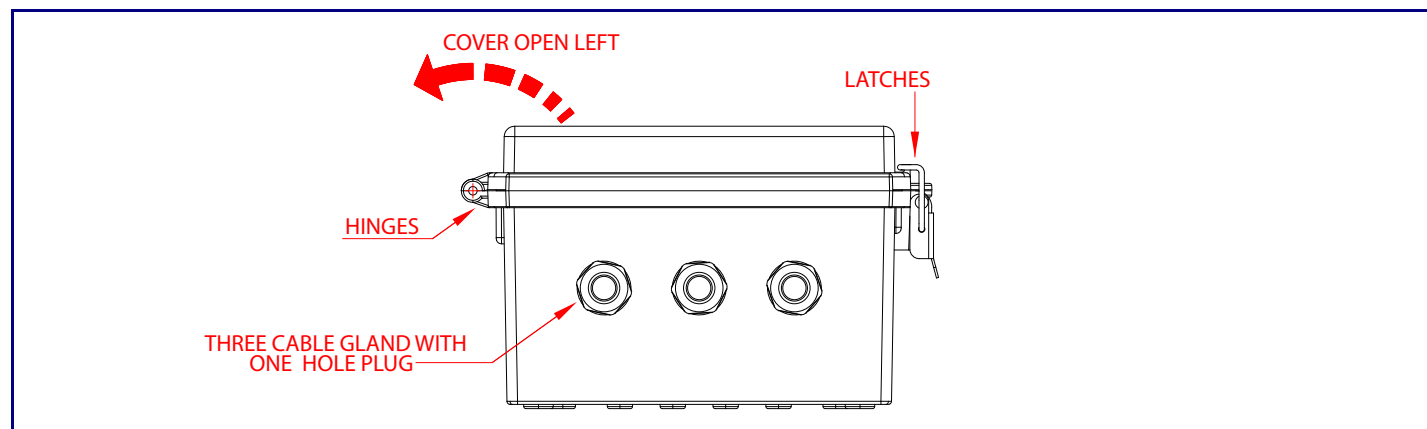
Phone: 831-373-2601
Fax: 831-373-4193
<http://www.cyberdata.net/>

Sales: (831) 373-2601 ext. 334
Support: 831-373-2601 ext. 333
Support Website: <http://support.cyberdata.net/>
RMA Department: (831) 373-2601 ext. 136
RMA Email: RMA@CyberData.net
RMA Status: <http://support.cyberdata.net/>
Warranty Information: <http://support.cyberdata.net/>

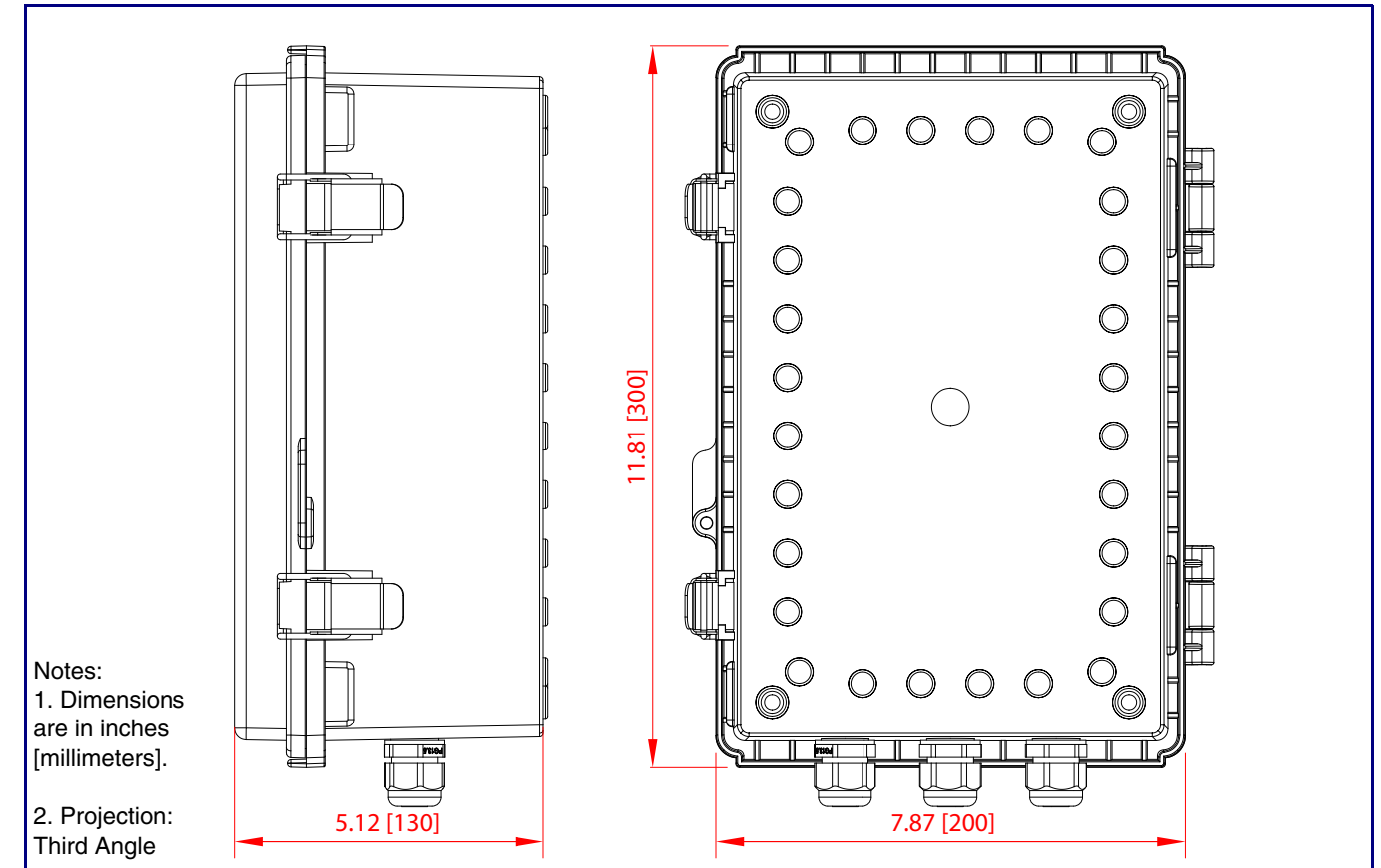
Features



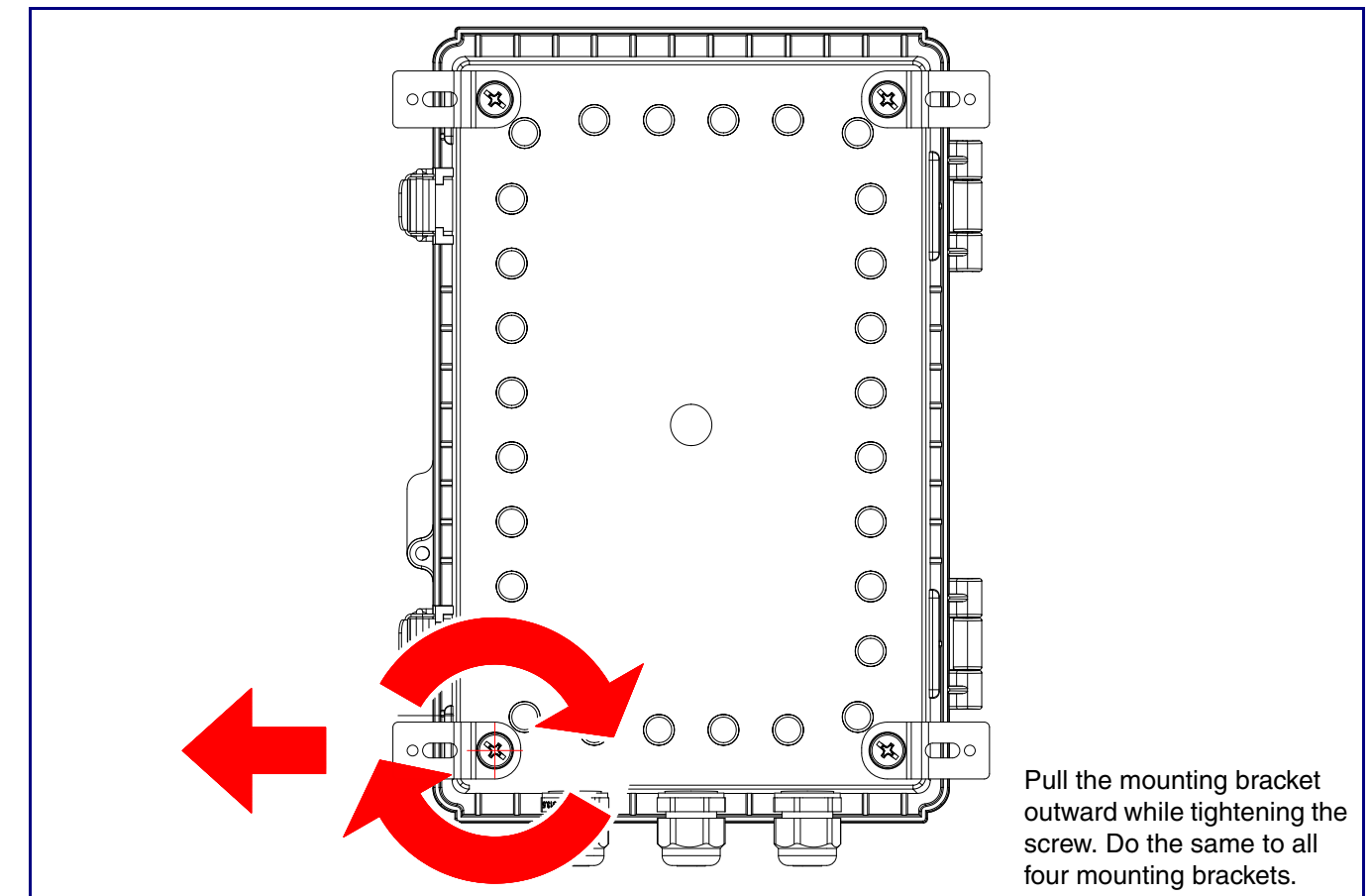
Enclosure Features



Dimensions



Mounting Bracket



**Mounting Hole (1 1/64", 0.172" or 4.4mm)
fit #8 Screw or 4mm Screw**

**In Order to Assure Size Accuracy,
Make Sure that PAGE SCALING is Select to NONE
Prior to Printing this Mounting Template.**

**Change this Settings by Selecting:
File, Print - PAGE HANDLING - Page Scaling to NONE.**

**Click on "Properties" Tab
Change the Paper Size to 11" x 17" or
A3 (297mm x 420mm)**

**After Printing, Verify that Size is Correct by
Checking Scale on Printed Page.**

9.92 [252]

8.5 [216]

DIMENSIONS ARE IN INCHES [MILLIMETER]

