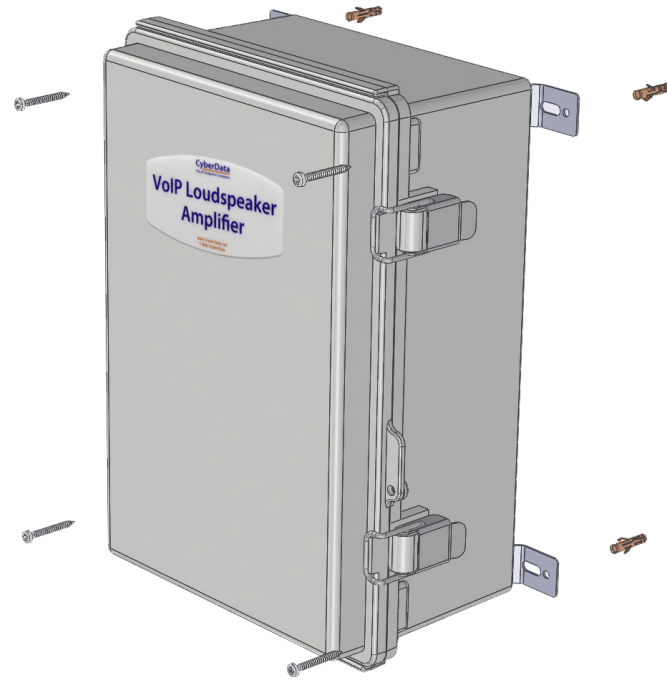


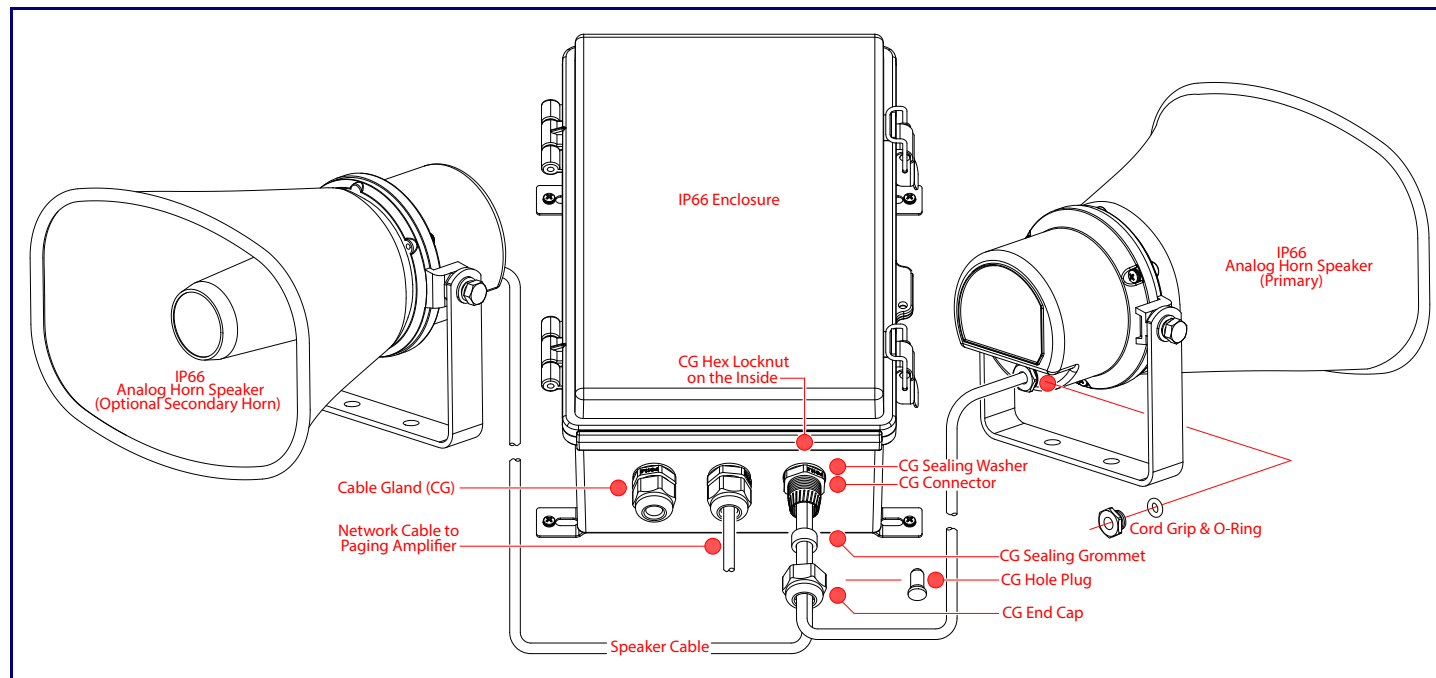
## Mounting the Enclosure

### To mount the enclosure:

1. Prepare holes for the screws.
2. Plug in the power adapter and use the **Power (PWR)** LED to verify that the power is on.
3. Plug the ethernet cable into the device. The **Link/Activity (Link/Act.)** LED verifies the network connection.
4. For wall mounting, use the three #8 x 1-1/4-inch Pan Head Phillips Self-Tapping Screws.



## IP66 Weatherproofing



## Contacting CyberData

### Corporate Headquarters

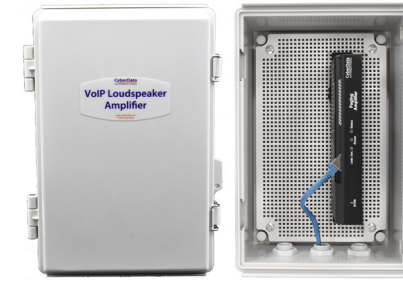
CyberData Corporation  
3 Justin Court  
Monterey, CA 93940, USA

Phone: 831-373-2601  
Fax: 831-373-4193  
<https://www.cyberdata.net/>

Sales: 831-373-2601 ext. 334  
Support: 831-373-2601 ext. 333  
Support Website: <https://support.cyberdata.net/>  
RMA Department Contact and Status: <https://support.cyberdata.net/>  
Warranty Information: <https://support.cyberdata.net/>

**CyberData**  
The IP Endpoint Company

## Installation Quick Reference InformaCast Enabled Loudspeaker Amplifier (PoE) 011407



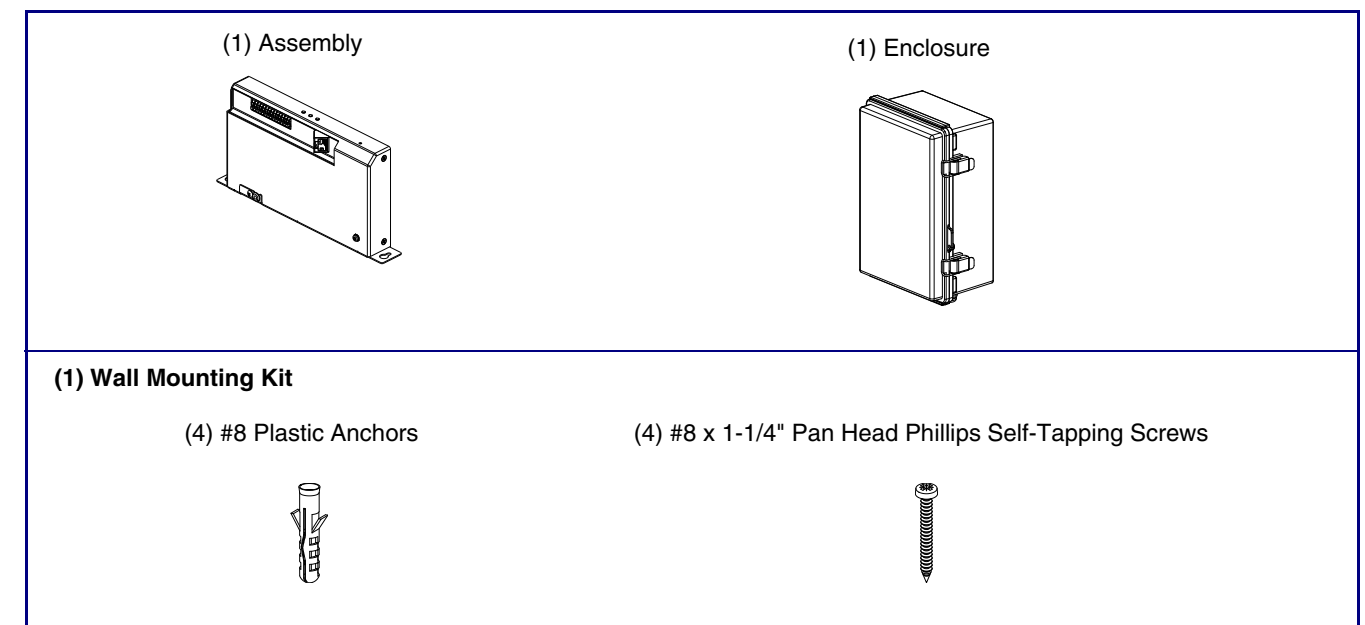
Parameter	Factory Default Setting
IP Addressing	DHCP
IP Address <sup>a</sup>	192.168.1.23
Web Access Username	admin
Web Access Password	admin
Subnet Mask <sup>a</sup>	255.255.255.0
Default Gateway <sup>a</sup>	192.168.1.1

a. Default if there is not a DHCP server present.

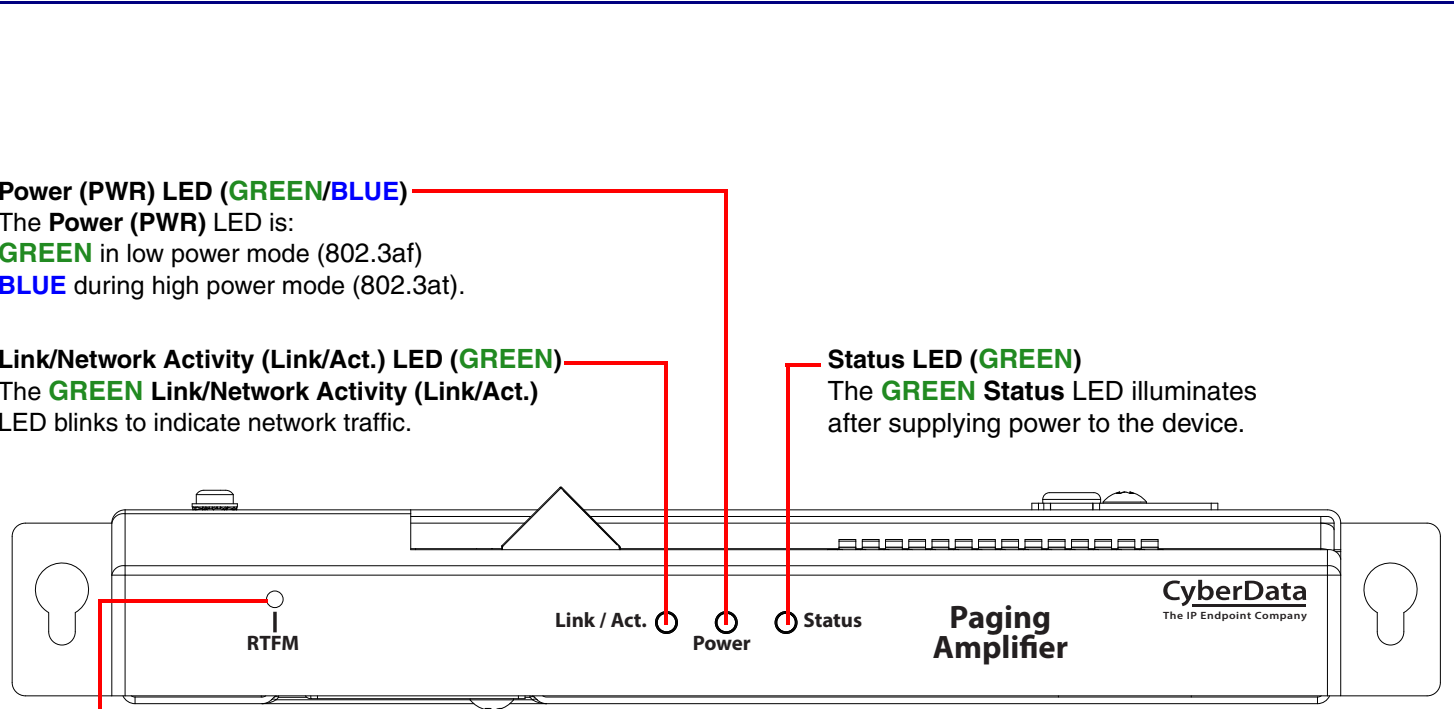
## Getting Started

- Download the Operations Guide PDF file from the **Documents** tab at the following webpage: <https://www.cyberdata.net/products/011407>
- Create a plan for the locations of your paging amplifiers.
- **WARNING:** This product should be installed by a licensed electrician according to all local electrical and building codes.
- **WARNING:** To prevent injury, this apparatus must be securely attached to the floor/wall in accordance with the installation instructions.
- **WARNING:** The PoE connector is intended for intra-building connections only and does not route to the outside plant.
- **WARNING:** The InformaCast Enabled Loudspeaker Amplifier enclosure is not rated for any AC voltages!

## Parts



## Features of the Paging Amplifier



**Power (PWR) LED (GREEN/BLUE)**  
The **Power (PWR)** LED is:  
**GREEN** in low power mode (802.3af)  
**BLUE** during high power mode (802.3at).

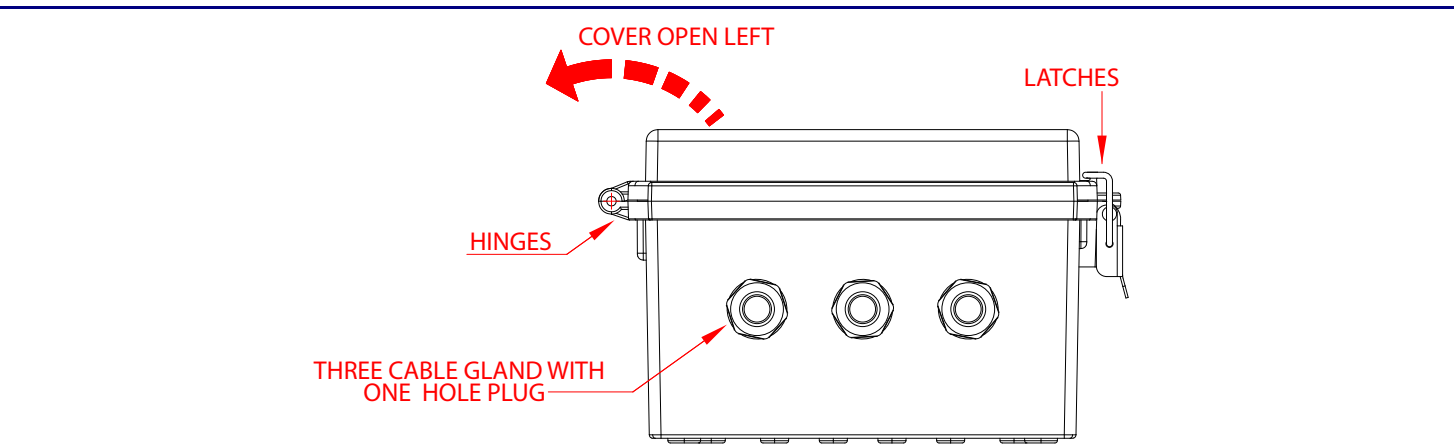
**Link/Network Activity (Link/Act.) LED (GREEN)**  
The **GREEN Link/Network Activity (Link/Act.)** LED blinks to indicate network traffic.

**Status LED (GREEN)**  
The **GREEN Status** LED illuminates after supplying power to the device.

**RTFM Switch**  
To broadcast the device's current IP address, press and hold the RTFM switch for a couple of seconds and then release it.  
To restore the factory defaults, complete the following steps:  
1. Press and hold the RTFM switch for several seconds.  
2. Release the RTFM switch. The device will be restored to the factory default settings, and will announce "restoring defaults" and "rebooting."

\*See the Operations Guide for more information about the features in this section.

## Enclosure Features



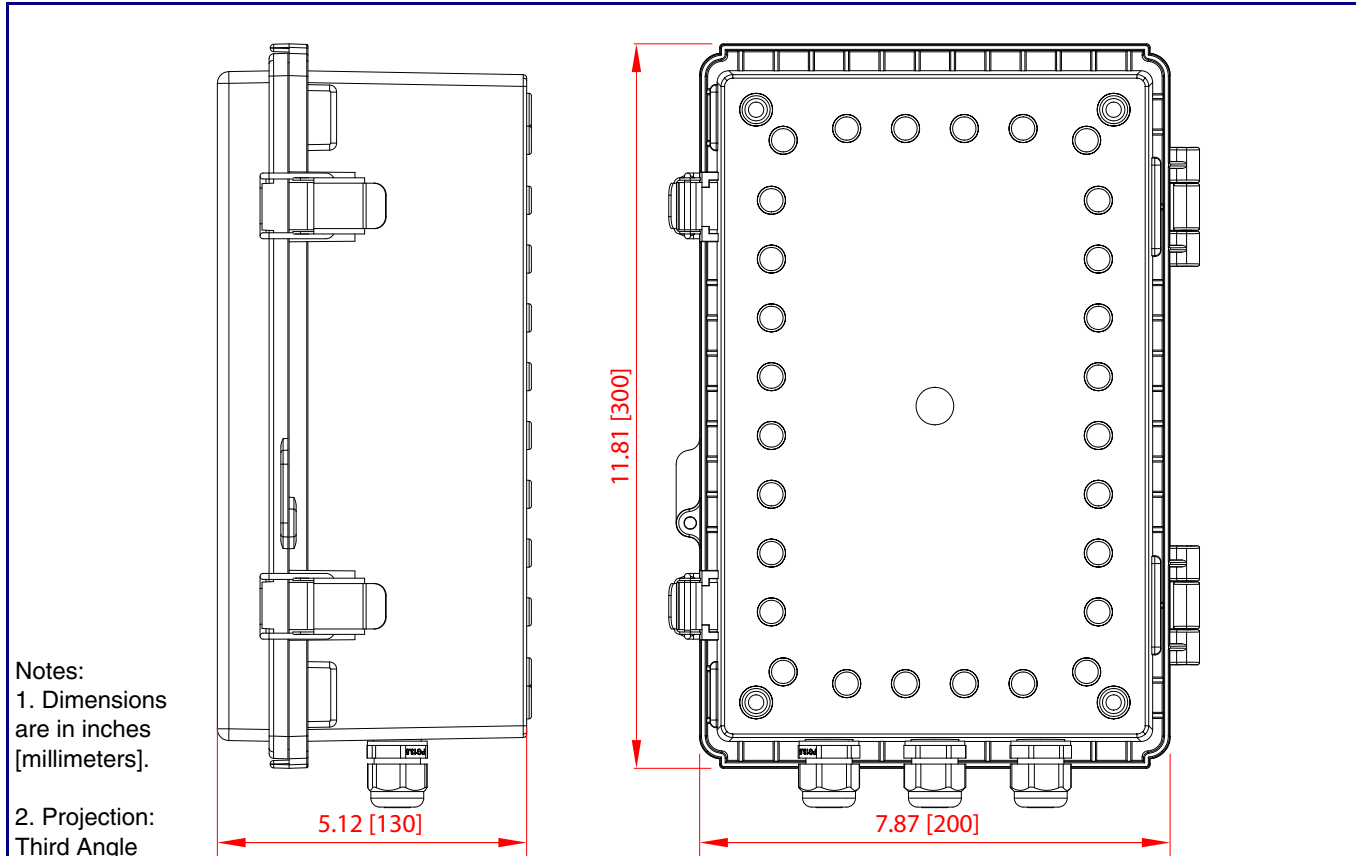
**COVER OPEN LEFT**

**LATCHES**

**HINGES**

**THREE CABLE GLAND WITH ONE HOLE PLUG**

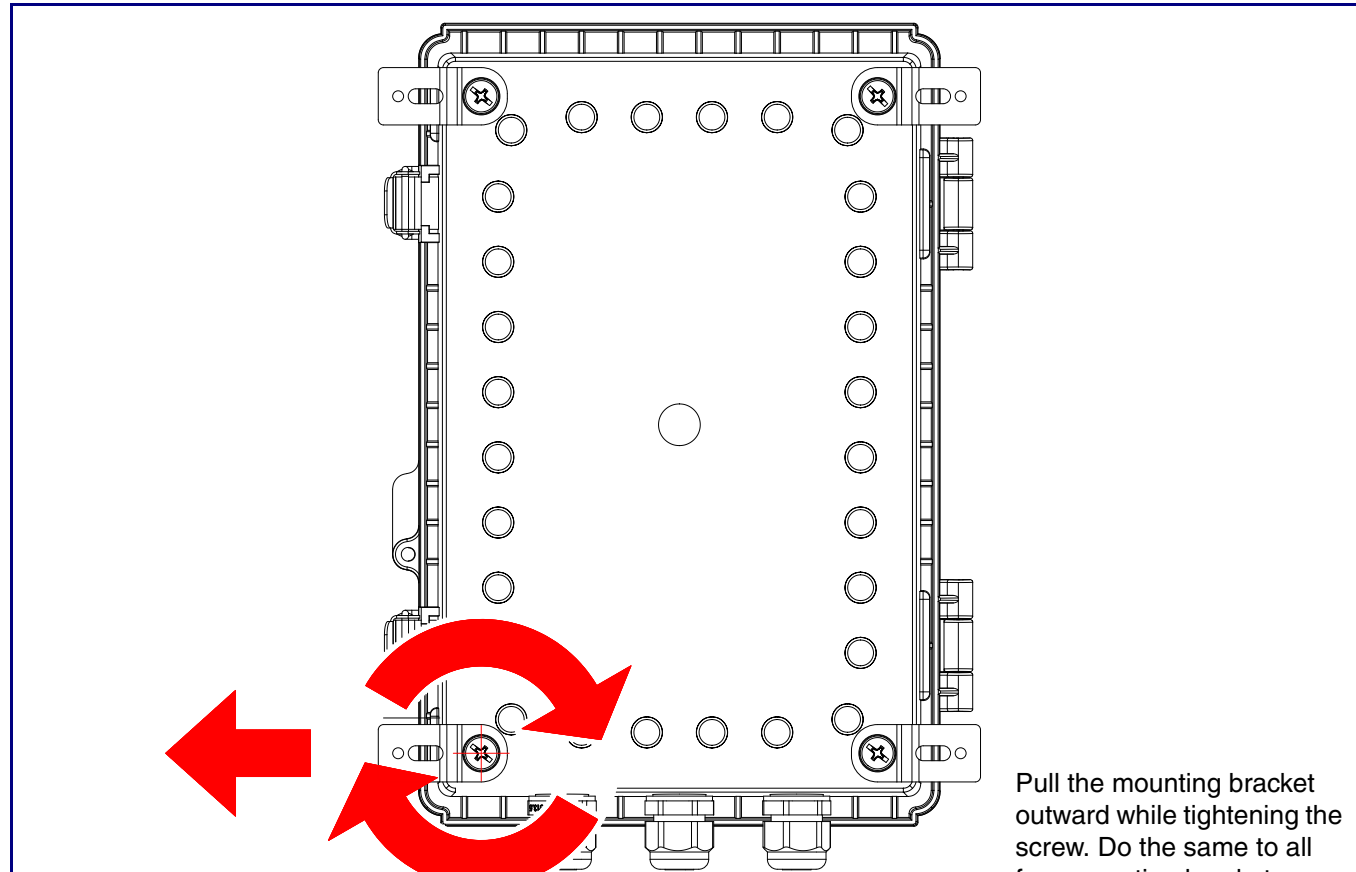
## Dimensions



Notes:  
1. Dimensions are in inches [millimeters].  
2. Projection: Third Angle

Dimensions shown:  
Height: 11.81 [300]  
Width: 7.87 [200]  
Depth: 5.12 [130]

## Mounting Brackets (package of four included)



Pull the mounting bracket outward while tightening the screw. Do the same to all four mounting brackets.

**Mounting Hole (1 1/64", 0.172" or 4.4mm)  
fit #8 Screw or 4mm Screw**

**In Order to Assure Size Accuracy,  
Make Sure that PAGE SCALING is Select to NONE  
Prior to Printing this Mounting Template.**

**Change this Settings by Selecting:  
File, Print - PAGE HANDLING - Page Scaling to NONE.**

**Click on "Properties" Tab  
Change the Paper Size to 11" x 17" or  
A3 (297mm x 420mm)**

**After Printing, Verify that Size is Correct by  
Checking Scale on Printed Page.**

9.92 [252]

8.5 [216]

**DIMENSIONS ARE IN INCHES [MILLIMETER]**

