

## Gooseneck Mounting

**Note:** To mount the intercom, use methods compliant with local electrical codes.

**Note:** More installation and mounting information is illustrated in the Operations Guide.

**Caution**  
**Equipment Hazard:** Do not use an electric or power screwdriver to fasten the face plate and PCB assembly to the gang box. To prevent over-torque damage to the gasket, do not apply more than 10 inch-pounds force. Over-torquing will cause the gasket to tear, risk moisture intrusion, and effectively void the manufacturer's warranty.

## Contacting CyberData

Corporate Headquarters	
CyberData Corporation 3 Justin Court Monterey, CA 93940, USA	Sales: 831-373-2601 ext. 334 Support: 831-373-2601 ext. 333 Support Website: <a href="https://support.cyberdata.net/">https://support.cyberdata.net/</a> RMA Department Contact and Status: <a href="https://support.cyberdata.net/">https://support.cyberdata.net/</a> Warranty Information: <a href="https://support.cyberdata.net/">https://support.cyberdata.net/</a>
Phone: 831-373-2601 Fax: 831-373-4193 <a href="https://www.cyberdata.net/">https://www.cyberdata.net/</a>	

# 011414

Parameter	Factory Default Setting
IP Addressing	DHCP
IP Address <sup>a</sup>	10.10.10.10
Web Access Username	admin
Web Access Password	admin
Subnet Mask <sup>a</sup>	255.0.0.0
Default Gateway <sup>a</sup>	10.0.0.1

a. Default if there is not a DHCP server present.



## Typical System Installation

\*More installation and mounting information is available in the Operations Guide.

802.3af Compliant Ethernet Switch

SIP h.264 Video Outdoor Intercom with Keypad    IP Phone    IP PBX Server

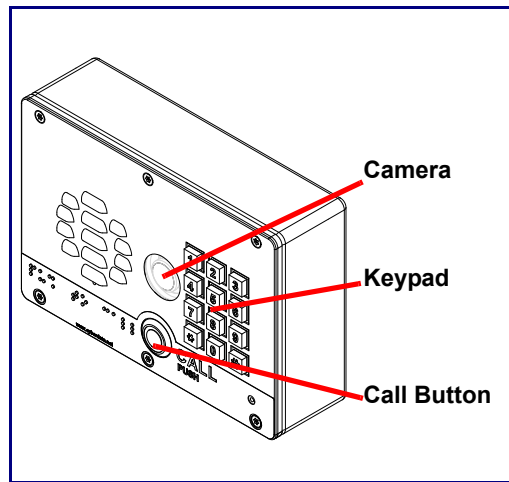
## Getting Started

- Download the *Operations Guide* PDF file, from the **Downloads** tab at the following webpage:  
<https://www.cyberdata.net/products/011414>
- Create a plan for the locations of your Keypad Intercoms.
- WARNING:** This product should be installed by a licensed electrician according to all local electrical and building codes.
- WARNING:** To prevent injury, this apparatus must be securely attached to the floor/wall in accordance with the installation instructions.
- WARNING:** The PoE connector is intended for intra-building connections only and does not route to the outside plant.
- WARNING:** This enclosure is not rated for any AC voltages!

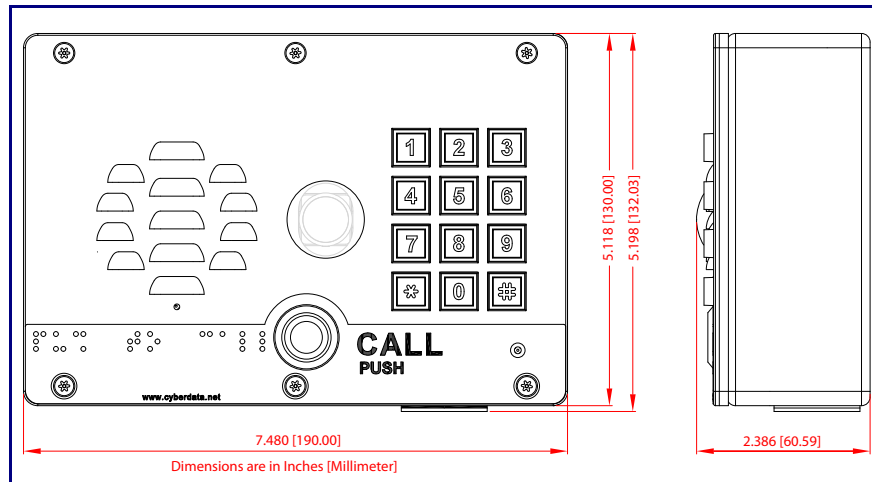
## Parts

(1) Assembly 	<b>Accessory Kit</b>  Carriage Bolt Bolts Carriage Bolt Nuts Carriage Bolt Washers  Mounting Component Security Torx Key Accessory Kit Security Torx MS	<b>Optional Accessories</b> (1) 1/2-inch EMT compression connector with extra sealing locknut 	(1) 531085* Hole plug assembly 
------------------	--	--	------------------------------------

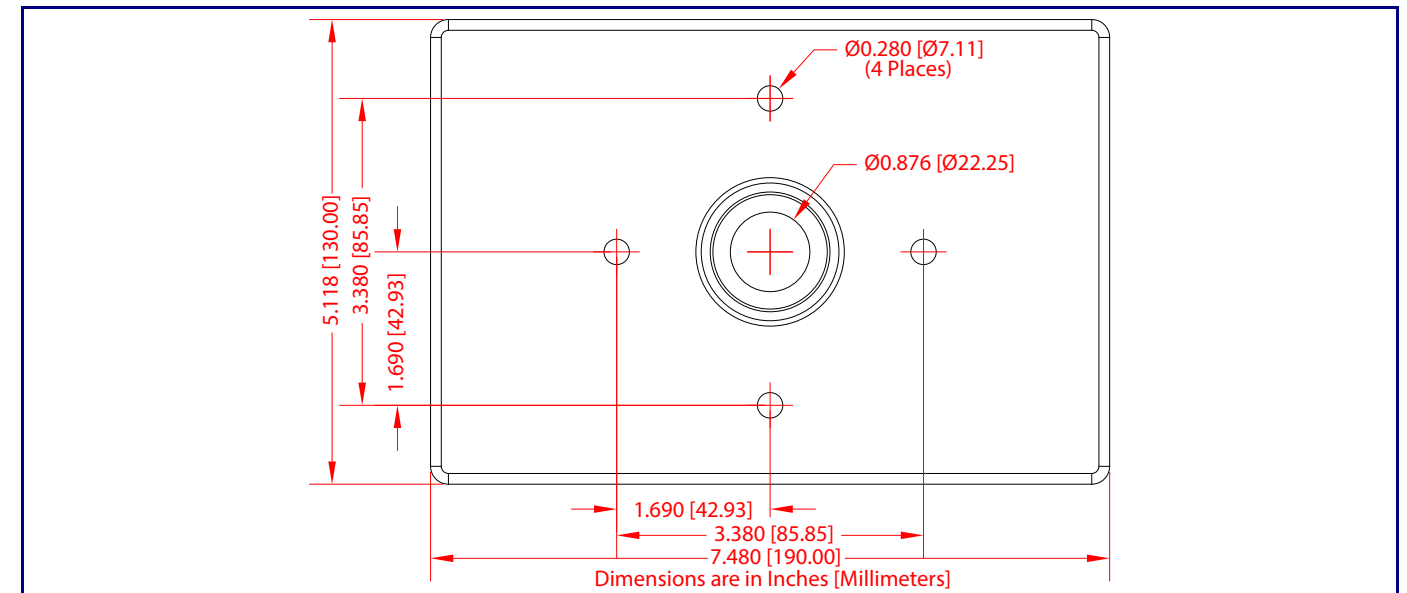
## Features



## Dimensions (Front and Side View)



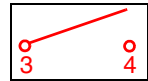
## Dimensions (Rear View and Mounting Holes)



## Terminal Block Connections

### Alternate Power Input:

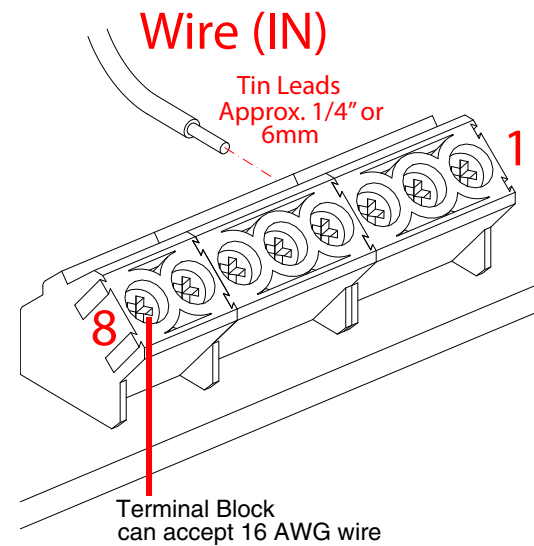
- 1 = +8 to +12VDC @ 1000mA Regulated Power Supply\*
- 2 = Power Ground\*



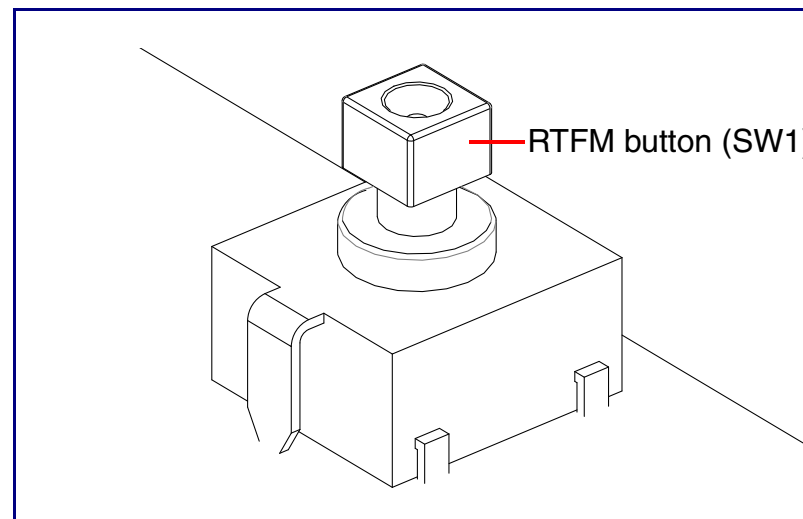
- Relay Contact:  
(1 A at 30 VDC for continuous loads)
- 3 = Relay Common
  - 4 = Relay Normally Open Contact
  - 5 = Sense Input
  - 6 = Sense Ground
  - 7 = Remote Switch "A"
  - 8 = Remote Switch "B"

\*Contacts 1 and 2 on the terminal block are only for powering the device from a non-PoE 12VDC power source as an alternative to Network PoE power. Use of these contacts for any other purpose will damage the device and void the product warranty.

Use a 3.17 mm (1/8-inch) flat blade screwdriver for the terminal block screws



## RTFM Button



When the device is operational and linked to a network, you can use the Reset Test Function Management (RTFM) button (SW1 [see picture]) to announce the device's IP address or restore the device to the factory default settings.

To announce the device's current IP address:

- Press and release the RTFM button within a five second window.

**Note** The device will use DHCP to obtain the new IP address (DHCP-assigned address or default to 10.10.10.10 if a DHCP server is not present).

To restore the device to factory default settings:

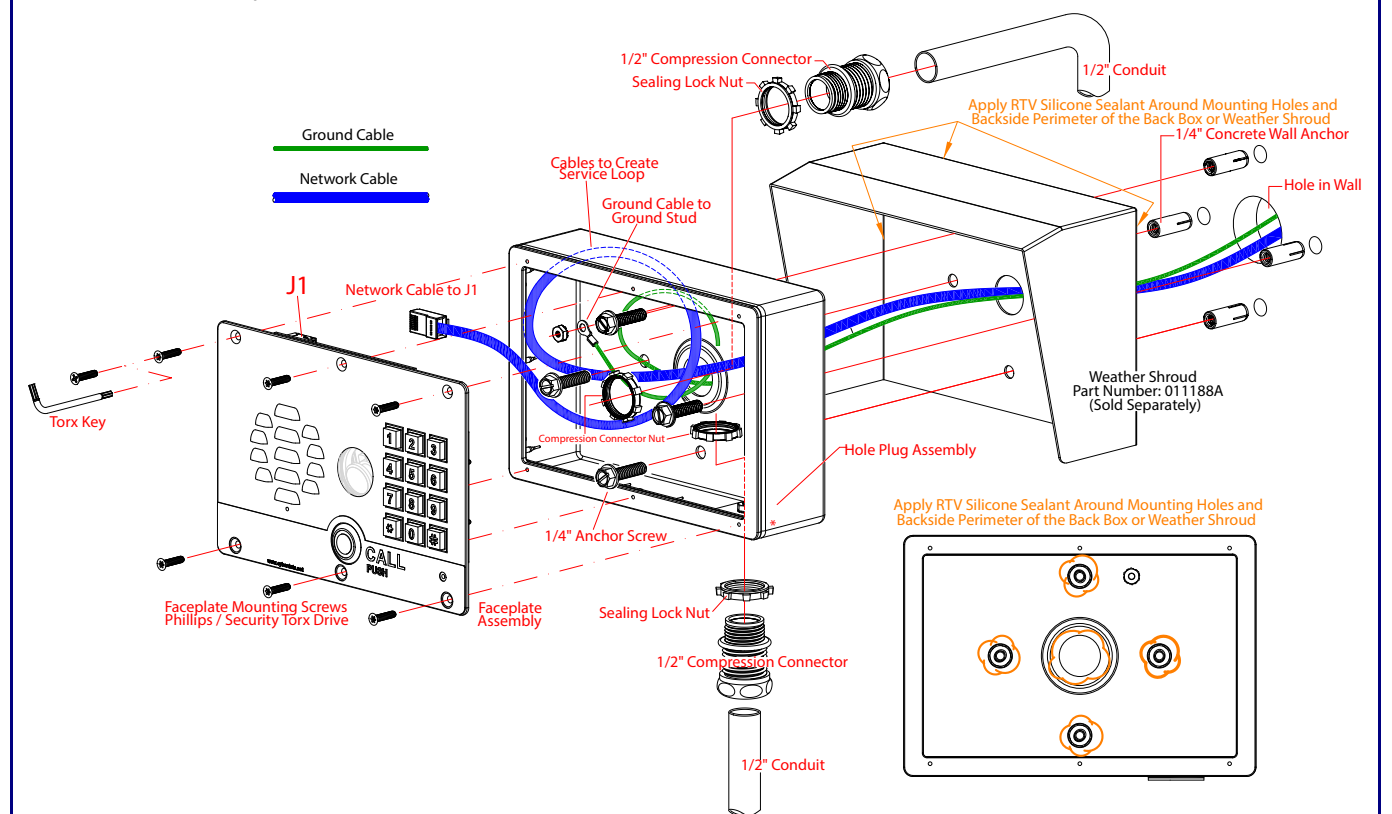
- Press and hold the RTFM button for longer than five seconds until you hear the device announce that it is restoring the factory default settings.

## Wall Mounting and Conduit Mounting with Ground Cable and Network Cable Installation

**Note:** To mount the device, use methods compliant with local electrical codes.

**Note:** More installation and mounting information is illustrated in the Operations Guide.

**Note:** For flush mount installations, purchase the 011442 Flush Mount Kit, 2x (sold separately). For more information, go to: <https://www.cyberdata.net/products/011442>



### Caution

**Equipment Hazard:** Do not use an electric or power screwdriver to fasten the face plate and PCB assembly to the gang box. To prevent over-torque damage to the gasket, do not apply more than 10 inch-pounds force. Over-torquing will cause the gasket to tear, risk moisture intrusion, and effectively void the manufacturer's warranty.