

SIP h.264 Video Outdoor Intercom with Keypad

CyberData

The IP Endpoint Company

This outdoor intercom with h.264 video connects to your VoIP phone system providing clear two-way audio, visual confirmation and secure access control.

This device is constructed to protect it from vandalism while the weatherproofing protects it from your elements.

If you are looking for an easy to install, secure access control intercom with camera and built-in dry contact to trigger doors and gates, this is it.

CyberData's SIP enabled VoIP products are compatible with a vast majority of VoIP systems including SBCs, Gateways, and phone systems both on-premise and cloud-based.



Features

- Full duplex audio with enhanced acoustic echo cancelling
- Half-duplex push-to-talk audio controlled from either the phone side using DTMF or the intercom side using the call button
- Relay configurable for secure access in all keypad modes
- Security mode allows for up to 500 user codes with configurable times and blacklisting plus extension dialing
- Simultaneous SIP and multicast
- Supports user-uploadable ring and alert tones
- Loud/Night Ringer function - second SIP extension
- Can receive pages directly from Poly phones as well as other devices that send standard multicast

- Adjustable camera angle
- DTMF-controlled dry relay contact for auxiliary control
- Door closure and tamper alert signal
- 12-key keypad with backlight
- Programmable speed dial
- Network volume control
- Supports Outdoor Auxiliary Strobe Kit for IP66-rated outdoor visual notification

- TLS 1.2 enhanced security for IP endpoints in a local or cloud-based environment
- Autoprovisioning via HTTP, HTTPS, or TFTP
- HTTPS or HTTP web based configuration. HTTPS is enabled by default
- Configurable event generation for device health and status monitoring
- 802.11q VLAN tagging
- Web-based upgradeable firmware
- Support for Cisco SRST resiliency

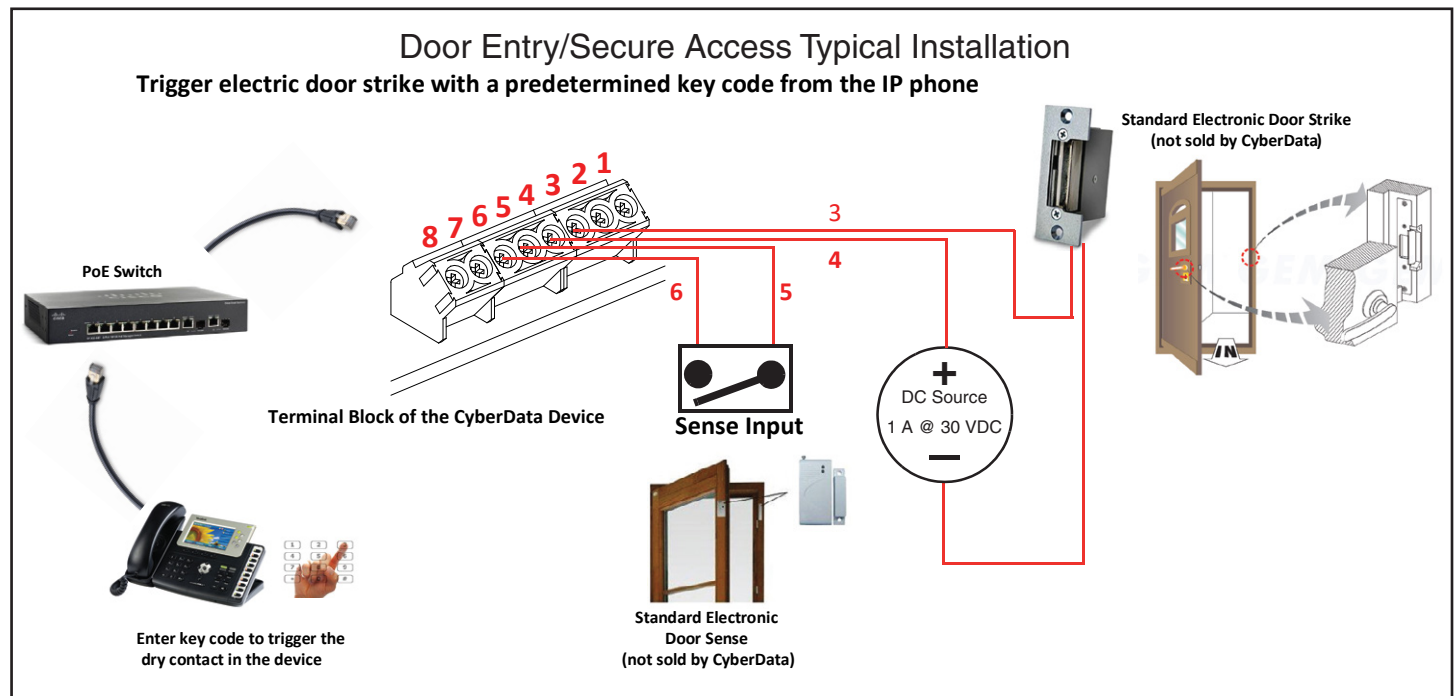
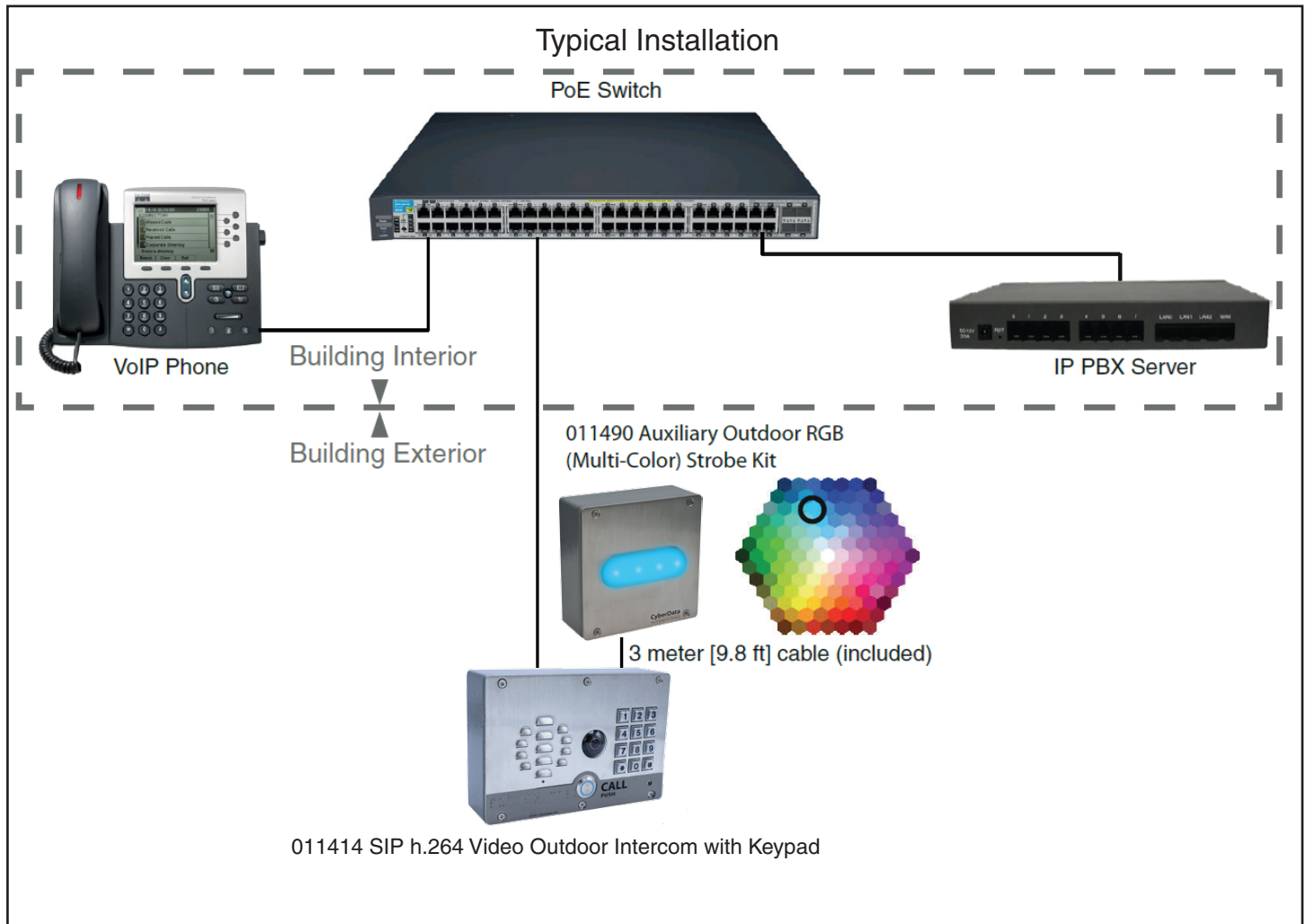
Specifications

Ethernet I/F	10/100 Mbps
Protocol	SIP RFC 3261 Compatible
Power Input	PoE 802.3af compliant or +8 to +12VDC @ 1000mA Regulated Power Supply (not included)
Audio Output (Max) Power Rating (Max)	802.3af: 86dB @ 1 meter 802.3af: 5-Watts
On-Board Relay	1A @ 30 VDC
Payload Types	G.711 a-law, G.711μ-law, G.722, and G.729
Video Codec	H.264 Baseline
Camera Resolution	320 x 240
SIP Video Payload	Baseline profile @ 320x240
Video Lens Angle	72 degrees, with 30 degree mechanical adjustment
Network Security	TLS 1.2
IP Rating	IP65
Operating Range	Temperature: -40° C to 55° C (-40° F to 131° F) Humidity: 5-95%, non-condensing
Storage Temperature Storage Altitude	Temperature: -40° C to 70° C (-40° F to 158° F) Up to 15,000 ft. (4573 m)
Dimensions*	Length: 7.480 inch [190 mm] Width: 2.284 inch [58 mm] Height: 5.118 inch [130 mm]
Weight Boxed Weight	2.8 lbs. [1.27 kg] 4.0 lbs. [1.81 kg]
Compliance	CE: EMC Directive – Class A EN 55032 & EN 55024, LV Safety Directive EN 62368-1; RoHS Compliant; FCC Part 15 Class; Industry Canada ICES-3 Class A; IEEE 802.3 Compliant; TAA Compliant
Warranty	2 Years Limited
Part Number	011414

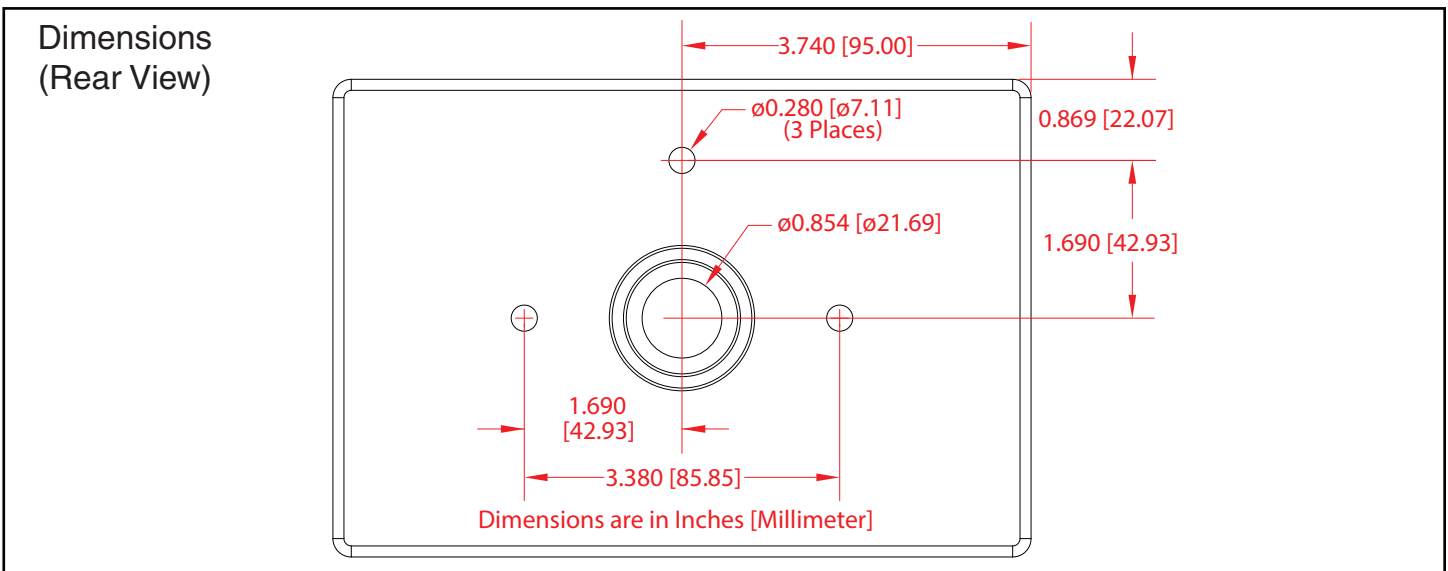
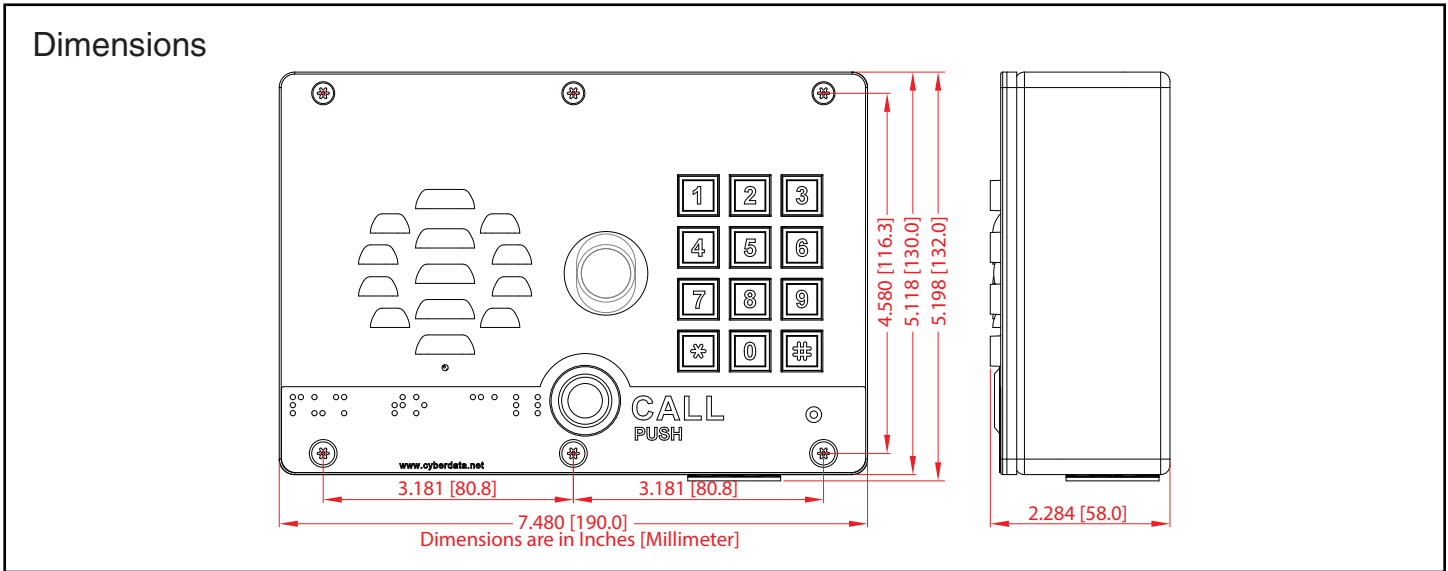
Note: Electronics are conformal coated for environmental protection.

*Dimensions are measured from the perspective of the product being upright with the front of the product facing you.

SIP h.264 Video Outdoor Intercom with Keypad



SIP h.264 Video Outdoor Intercom with Keypad



Related Products:



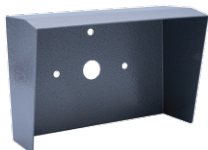
011375 Network Dual Door Strike Relay



011269 Door Strike Intermediate Relay Module



011490 Outdoor Auxiliary RGB (Multi-Color) Strobe Kit



011215 Outdoor Keypad Intercom Shroud



011442 Flush Mount Kit, 2x