

# SIP IP66 Indoor/Outdoor Horn

The CyberData SIP IP66 Indoor/Outdoor Horn connects into local area networks with a single CAT 5/6 cable from your PoE switch and provides an easy method for implementing a loud IP-based overhead paging system for loud areas such as warehouses, manufacturing floors and outdoor areas.

The interface is compatible with most IP PBX servers that comply with the SIP RFC 3261. For non-SIP environments, the speaker can be configured to listen to multicast address and port number combinations to form paging zones.

The unique perforated front screen prevents birds and flying insects, such as wasps, from building nests inside the horn thus eliminating the need for periodic clean out.

CyberData's SIP enabled VoIP products are compatible with a vast majority of VoIP systems including SBCs, Gateways, and phone systems both on-premise and cloud-based.

## Features

- Concurrent SIP and multicast
- Paging prioritization
- Support for 10 multicast paging groups
- Supports user-uploadable ring tones and up to ten stored messages
- Ambient Noise Compensation adjusts the volume, at the start of a stream, to compensate for the environment's ambient noise level. This helps to ensure all pages and notifications will be heard even as the daily ambient noise levels fluctuate.
- Support for security code to prevent unwanted SIP calls
- Can receive pages directly from Poly phones as well as other devices that can send standard multicast
- Loud/Night Ringer function - second SIP extension
- Supports delayed pages with call buffering
- Audio health check, to verify operation of hardware, that can be scheduled or launched manually
  
- Digital volume control
- Sealed network cable gland
- Protective screen keeps out flying pests and reduces maintenance
  
- TLS 1.2 and SRTP enhanced security for IP Endpoints in a local or cloud-based environment
- Autoprovisioning via HTTP, HTTPS, or TFTP
- HTTPS or HTTP web-based configuration. HTTPS is enabled by default
- 802.11q VLAN tagging
- Configurable event generation for device health and status monitoring
- Support for Cisco SRST resiliency
- HTTP Command Interface

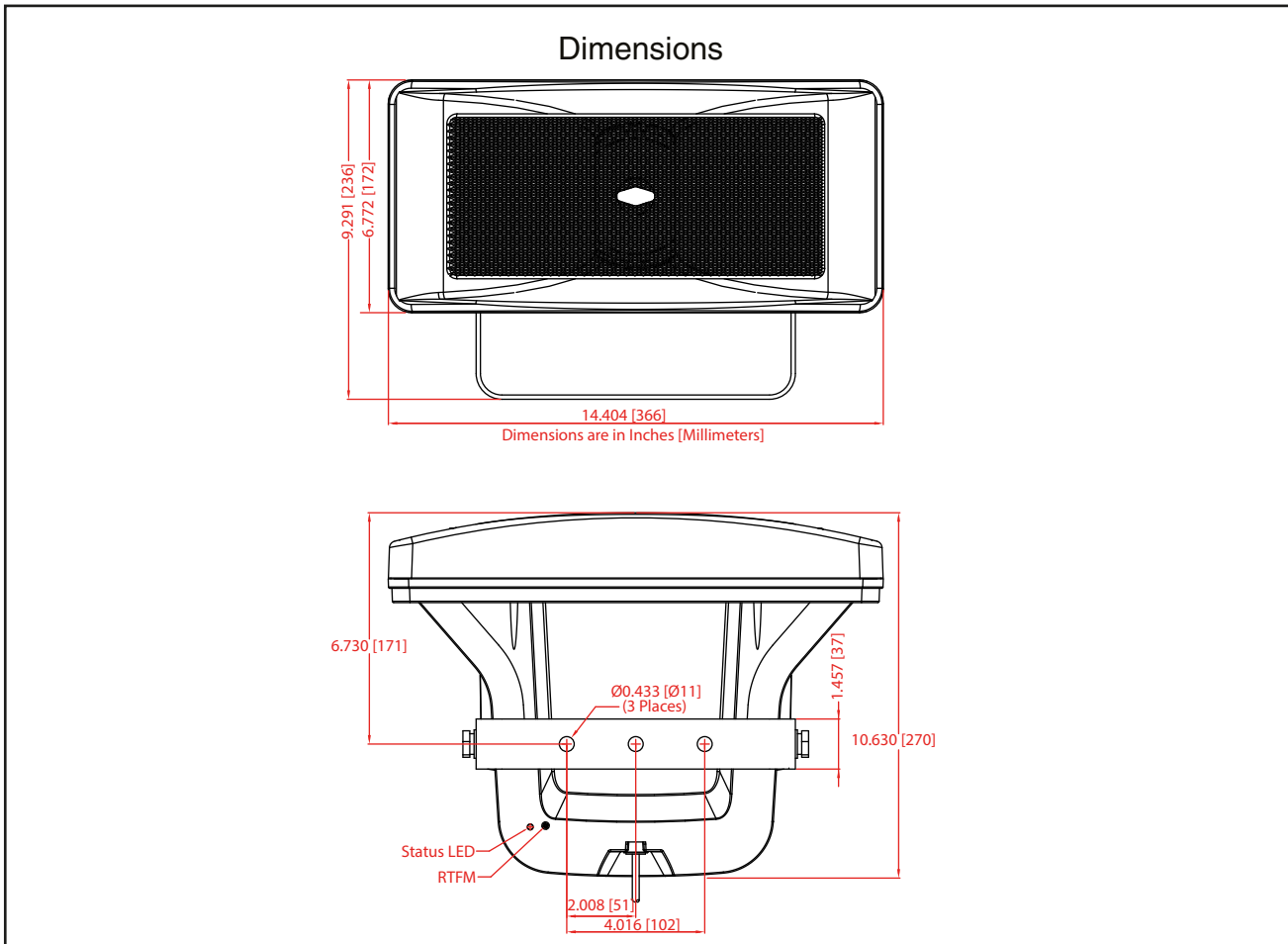
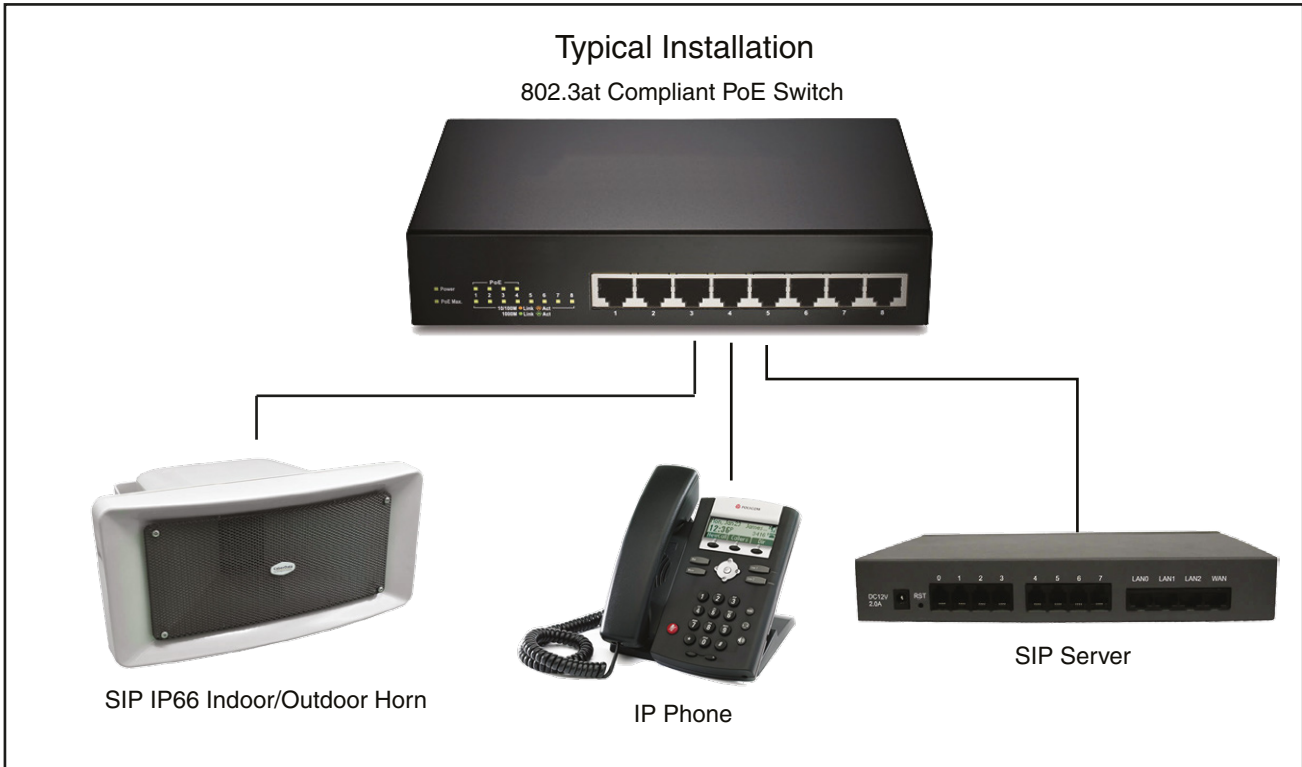


## Specifications

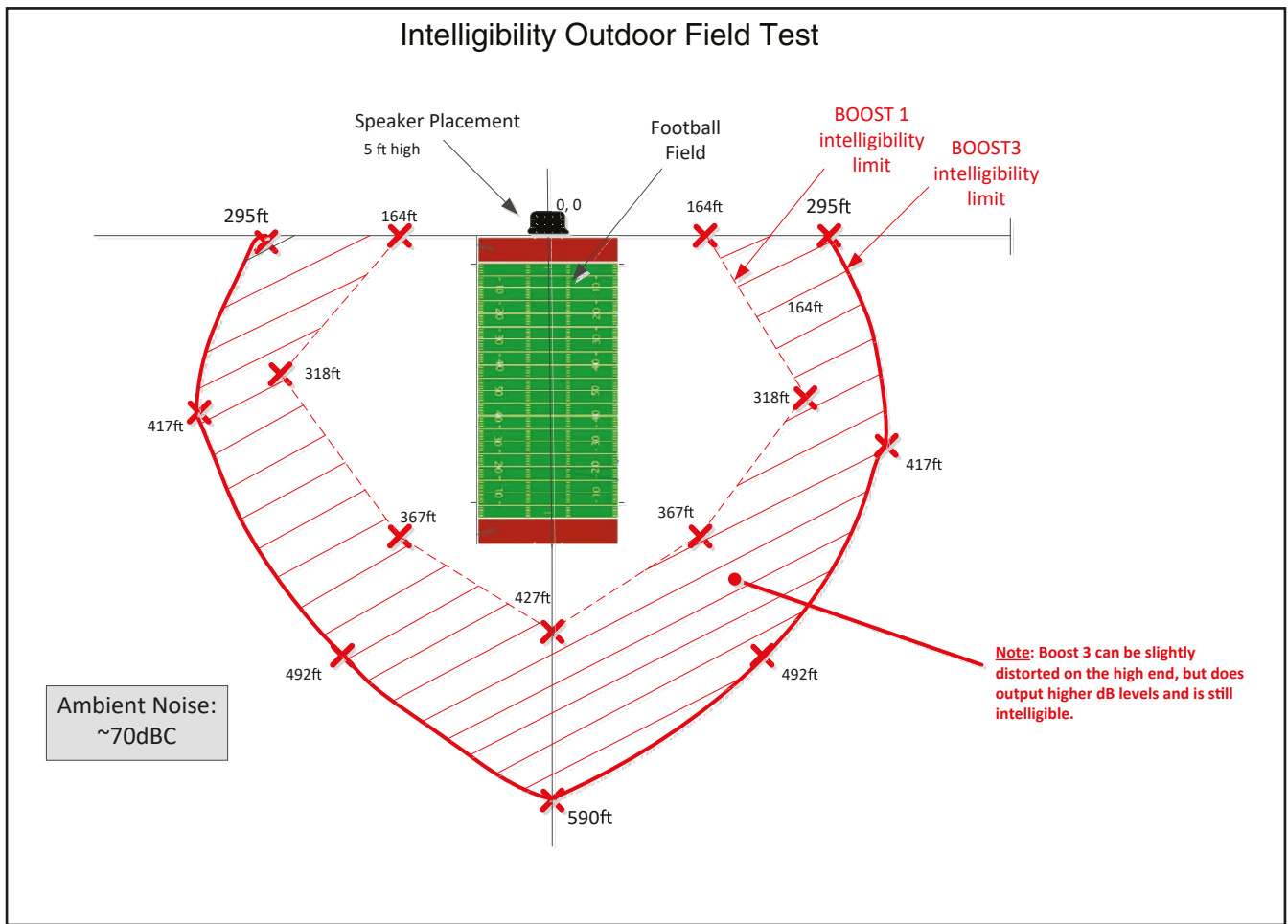
Ethernet I/F	10/100 Mbps
Protocol	SIP RFC 3261 Compatible
Power Input	PoE 802.3at or 802.3af
Audio Output	802.3at: 107.7 (+/- 0.2) dBC @ 1M and 1kHz 802.3af: 104.8 (+/- 0.2) dBC @ 1M and 1kHz
Payload Types	G.711 a-law, G.711 $\mu$ -law, G.722, G.729
Network Security	TLS 1.2, SRTP, HTTPS
IP Rating	IP66
Operating Range	Temperature: -40° C to 55° C (-40° F to 131° F) Humidity: 5-95%, non-condensing
Storage Temperature	-40° C to 70° C (-40° F to 158° F)
Storage Altitude	Up to 15,000 ft. (4573 m)
Dimensions*	Length: 14.404 in. [366 mm] Width: 10.630 in. [270 mm] Height: 6.772 in. [172 mm] (without stand) Height: 9.291 in. [236 mm] (with stand)
Weight	6.6 lbs. [3.00 kg]
Boxed Weight	8.8 lbs. [3.99 kg]
Compliance	CE: EMC Directive – Class A EN 55032 & EN 55024, LV Safety Directive – EN 62368-1; RoHS Compliant; FCC Part 15 Class A; Industry Canada ICES-3 Class A; IEEE 802.3 Compliant; TAA Compliant
Warranty	2 Years Limited
Part Number	011457

\*Dimensions are measured from the perspective of the product being upright with the front of the product facing you.

# SIP IP66 Indoor/Outdoor Horn



# SIP IP66 Indoor/Outdoor Horn



## Related Products:



011446 Multicast  
VoIP Microphone



011146 SIP Paging Server  
with Bell Scheduler



011124 PoE Power  
Injector 802.3at