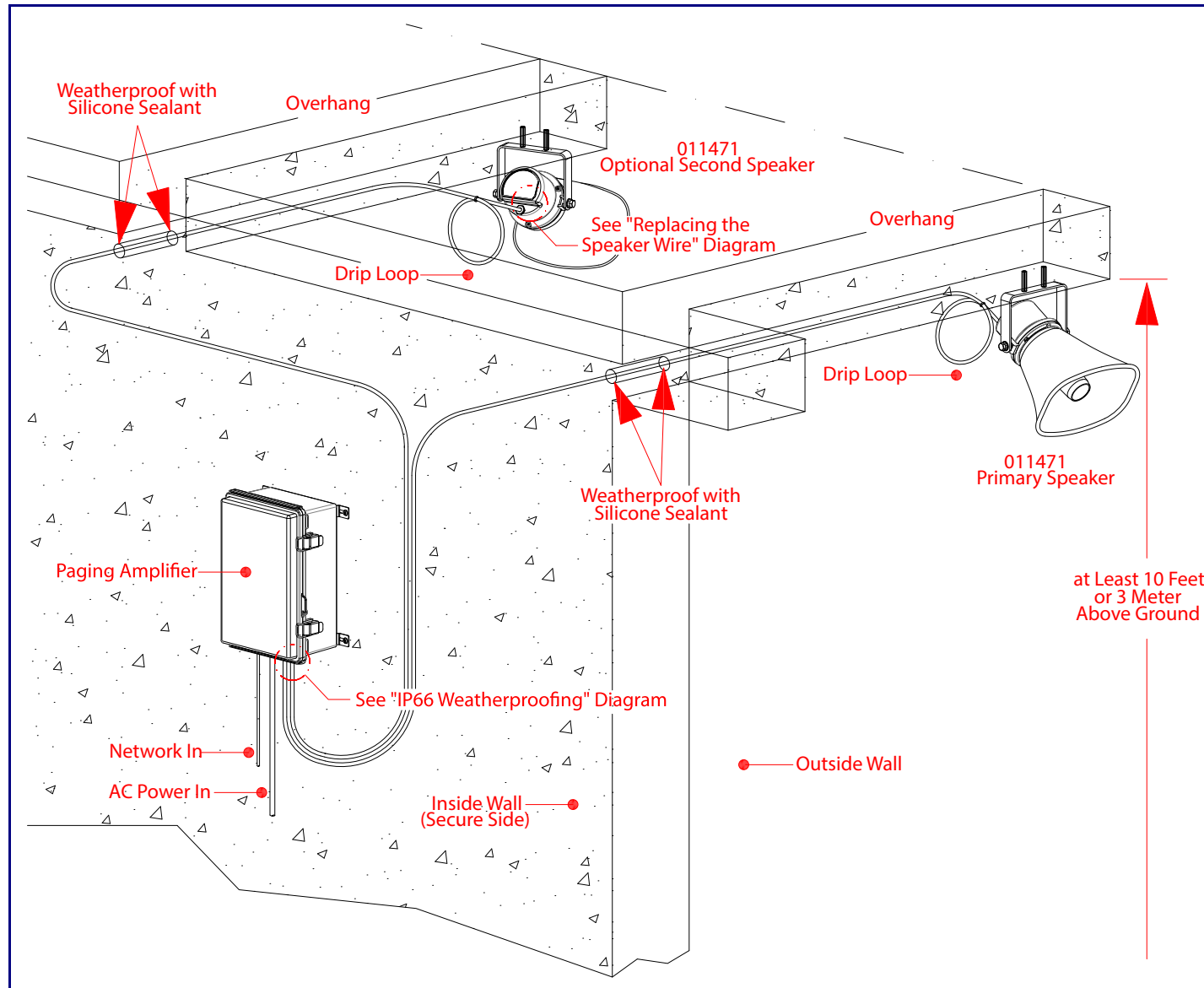


Suggested Outdoor Installation for Security



CyberData *Installation Quick Reference*

The IP Endpoint Company **IP66 Analog Horn**
SIP Compliant
011471



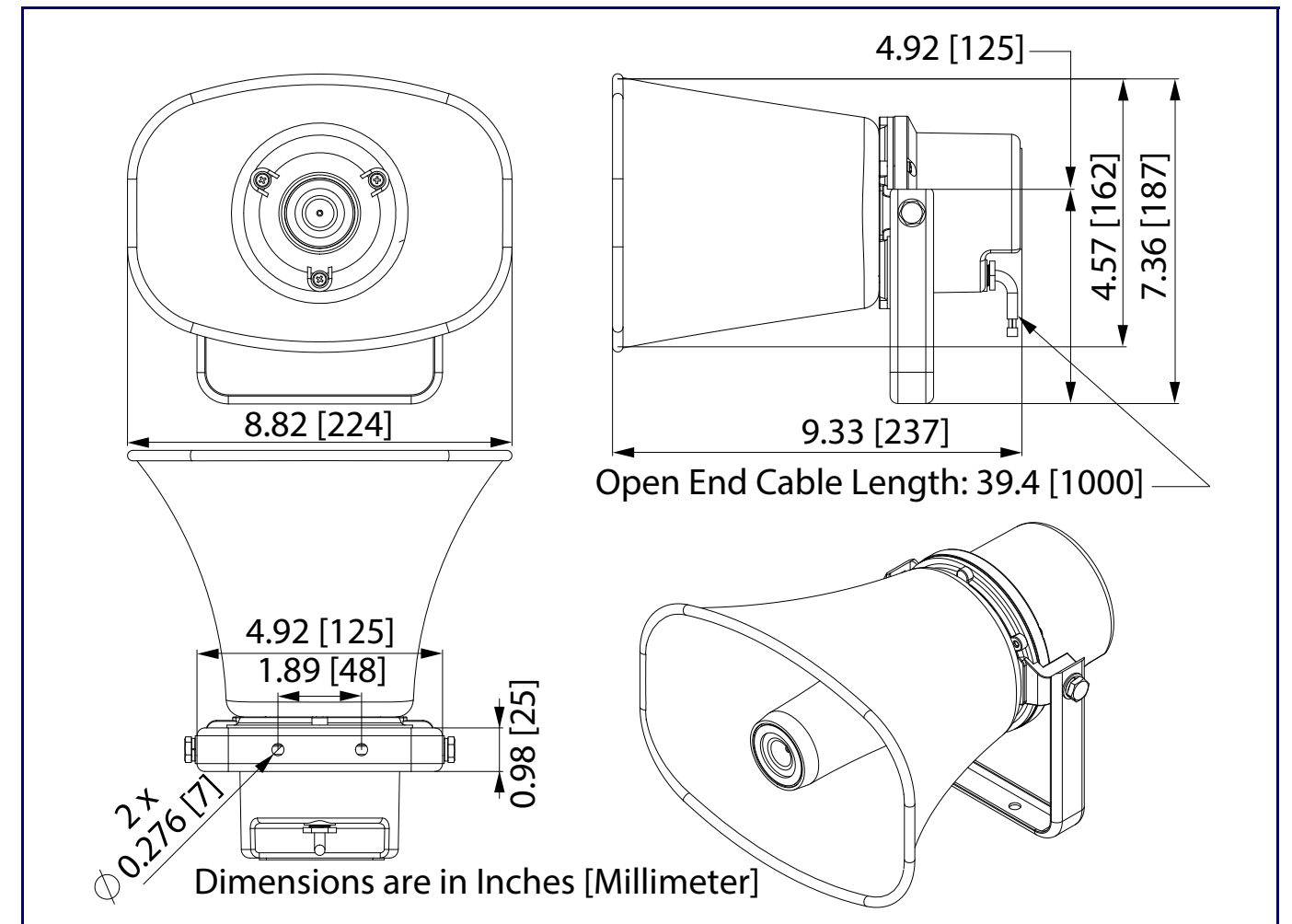
Features

- Weather and corrosion resistant design
- IP66 rating
- 20 watts continuous duty
- Designed for good speech intelligibility
- Adjustable mounting base
- 3.28 foot (1 meter) connected cable

Getting Started

- Download the *Operations Guide* PDF file, from the **Downloads** tab at the following webpage:
<https://www.cyberdata.net/products/011471>

Dimensions



Contacting CyberData

Corporate Headquarters

CyberData Corporation
3 Justin Court
Monterey, CA 93940, USA

Phone: 831-373-2601
Fax: 831-373-4193
<http://www.cyberdata.net/>

Sales: (831) 373-2601 ext. 334
Support: 831-373-2601 ext. 333
Support Website: <http://support.cyberdata.net/>
RMA Department: (831) 373-2601 ext. 136
RMA Email: RMA@CyberData.net
RMA Status: <http://support.cyberdata.net/>
Warranty Information: <http://support.cyberdata.net/>

