

The CyberData InformaCast® Enabled IP66 Indoor/Outdoor Horn is for use with Singlewire's InformaCast paging and emergency notification software.

The Horn connects into local area networks with a single CAT5/6 cable from your PoE switch and provides an easy method for implementing a loud IP-based overhead paging system for loud areas, warehouses, manufacturing areas, and outdoor areas.

The unique perforated front screen prevents birds and flying insects, such as wasps, from building nests inside the horn thus eliminating the need for periodic clean out.



Features

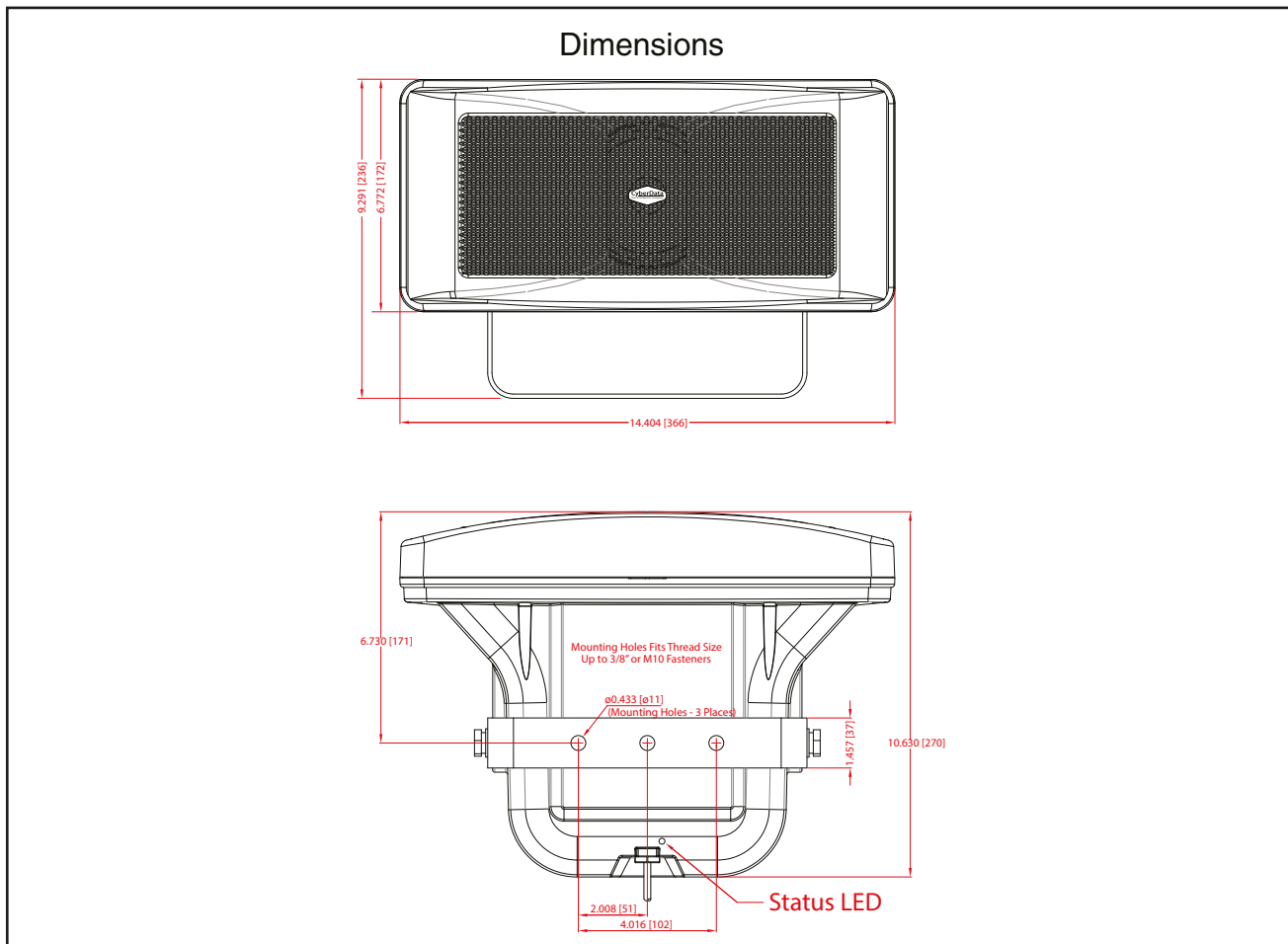
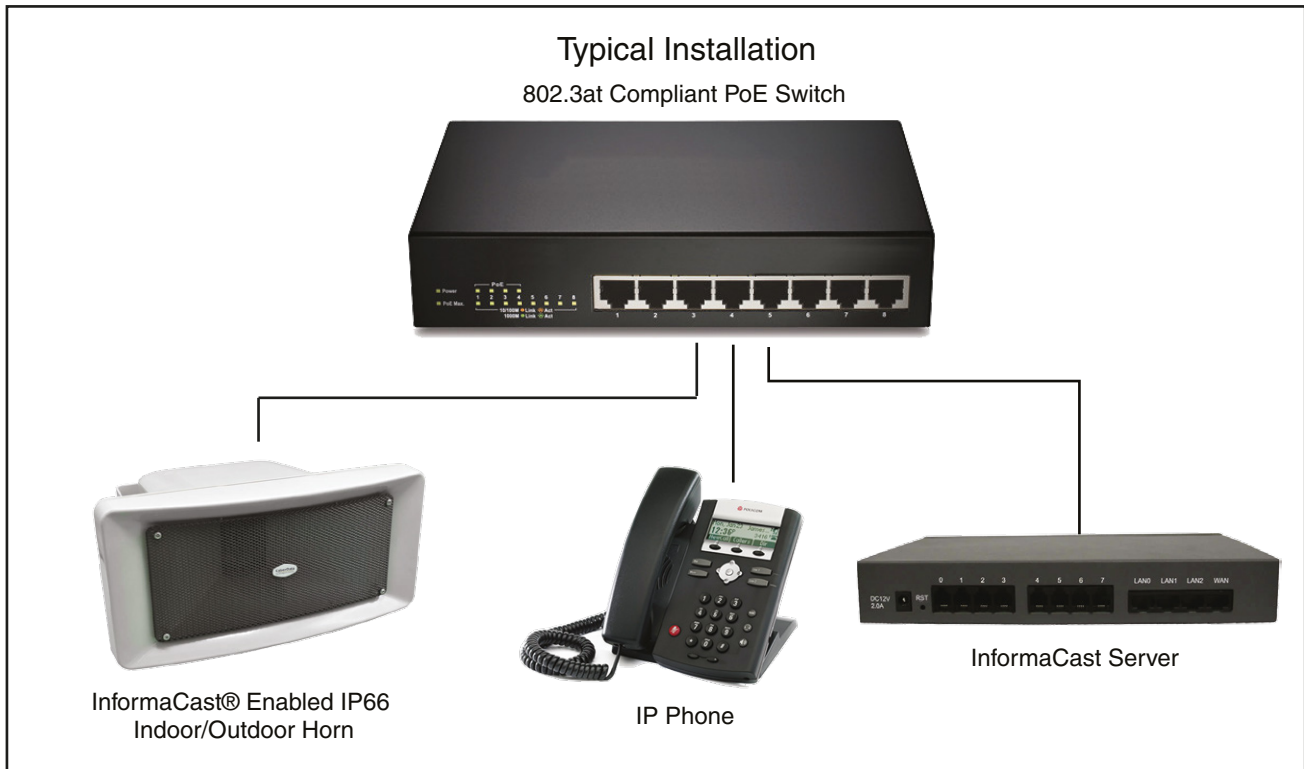
- Compatible with Singlewire InformaCast v12.1, including support for downloading SIP credentials from InformaCast
- Supports Singlewire InformaCast High Quality Audio
- Concurrent InformaCast, SIP and multicast
- Paging prioritization
- Support for 10 multicast paging groups
- Supports user-uploadable ring tones and up to ten stored messages
- Support for security code to prevent unwanted SIP calls
- Can receive pages directly from Poly phones as well as other devices that can send standard multicast
- Loud/Night Ringer function - second SIP extension
- Supports delayed pages with call buffering
- Digital volume control
- Sealed network cable gland
- Protective screen keeps out flying pests and reduces maintenance
- TLS 1.2 and SRTP enhanced security for IP endpoints in a local or cloud-based environment
- Autoprovisioning via HTTP, HTTPS, or TFTP
- HTTPS or HTTP web-based configuration. HTTPS is enabled by default
- 802.11q VLAN tagging
- Configurable event generation for device health and status monitoring
- Web-based upgradeable firmware
- Support for multiple SIP servers for redundancy

Specifications

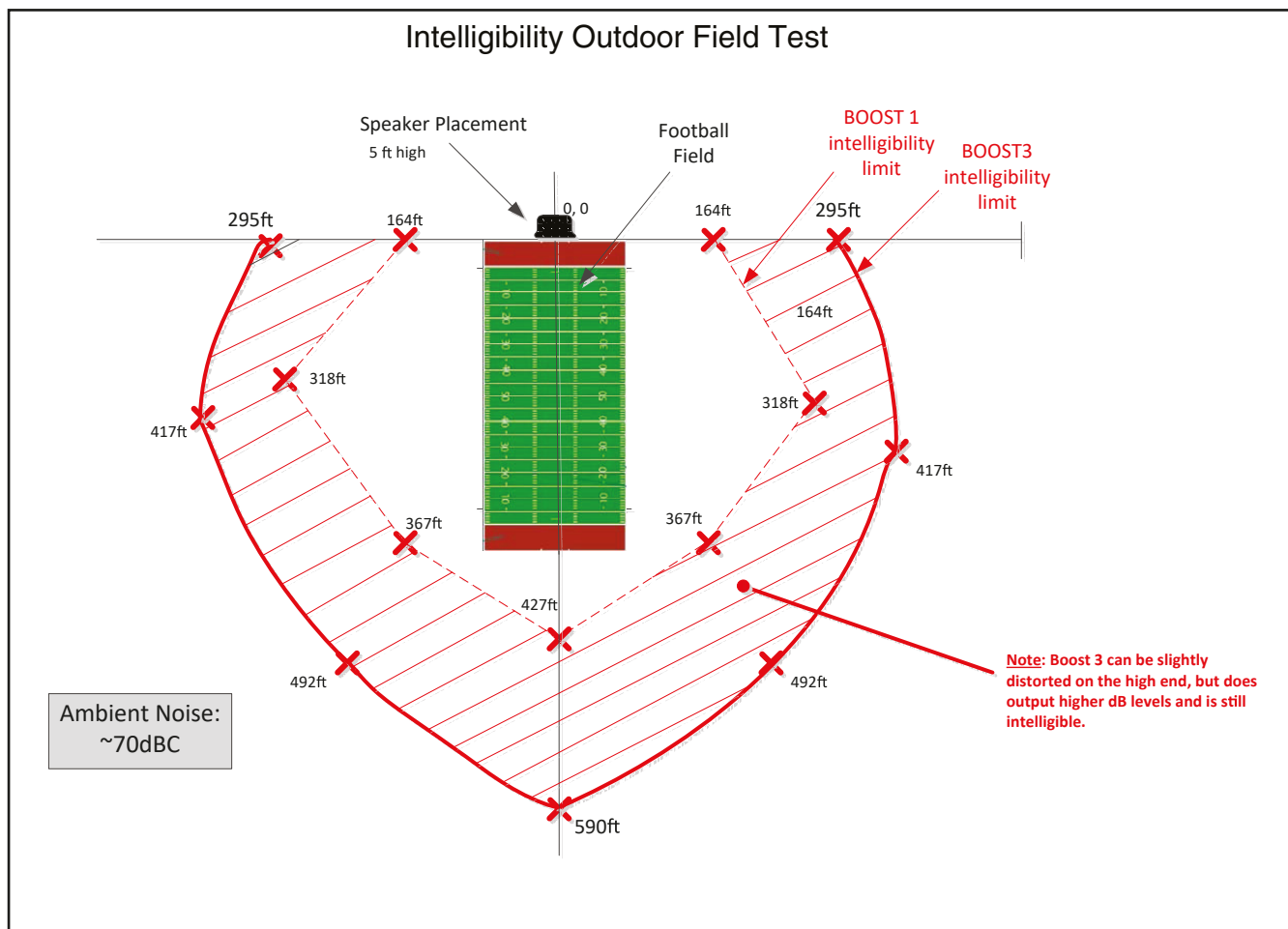
Ethernet I/F	10/100 Mbps
Protocol	SIP RFC 3261 Compatible
Notification Software	Singlewire InformaCast v4.0 and above
Power Input	PoE 802.3at or 802.3af
Audio Output	802.3at: 107.7 (+/- 0.2) dBC @ 1M and 1kHz 802.3af: 104.8 (+/- 0.2) dBC @ 1M and 1kHz
Payload Types	G.711 a-law, G.711 μ -law, G.722, G.729
Network Security	TLS 1.2 and SRTP
IP Rating	IP66
Operating Range	Temperature: -40° C to 55° C (-40° F to 131° F) Humidity: 5-95%, non-condensing
Storage Temperature	-40° C to 70° C (-40° F to 158° F)
Storage Altitude	Up to 15,000 ft. (4573 m)
Dimensions*	Length: 14.404 in. [366 mm] Width: 10.630 in. [270 mm] Height: 6.772 in. [172 mm] (without stand) Height: 9.291 in. [236 mm] (with stand)
Weight	6.6 lbs. [3.00 kg]
Boxed Weight	8.8 lbs. [3.99 kg]
Compliance	CE: EMC Directive – Class A EN 55032 & EN 55024, LV Safety Directive – EN 60950-1 and 62368-1; RoHS Compliant; FCC Part 15 Class A; Industry Canada ICES-3 Class A; IEEE 802.3 Compliant; TAA Compliant
Warranty	2 Years Limited
Part Number	011472

*Dimensions are measured from the perspective of the product being upright with the front of the product facing you.

InformaCast® Enabled IP66 Indoor/Outdoor Horn



InformaCast® Enabled IP66 Indoor/Outdoor Horn



Related Products:



011446 Multicast
VoIP Microphone



011146 SIP Paging Server
with Bell Scheduler



011124 PoE Power
Injector 802.3at