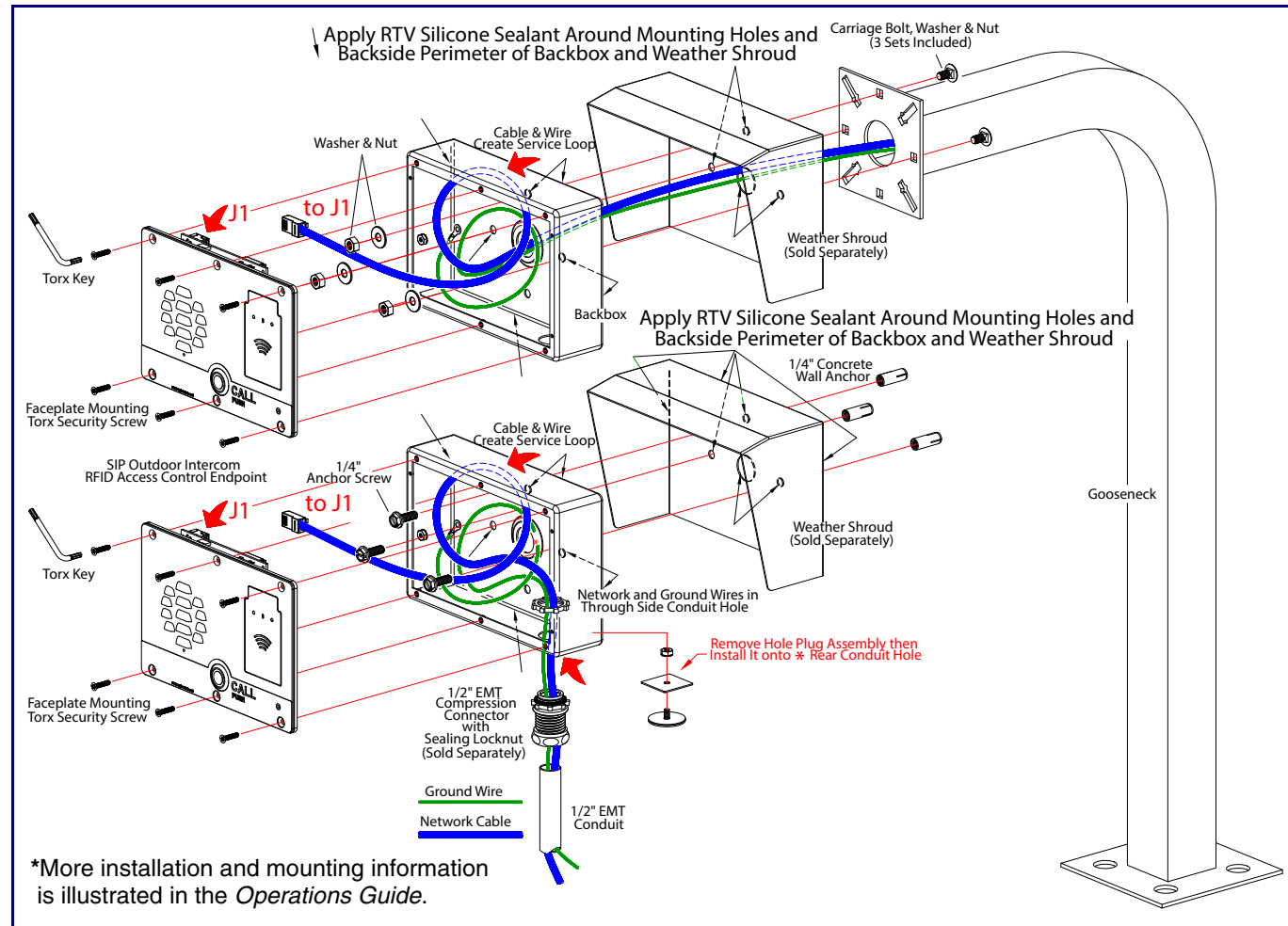


Gooseneck Mounting



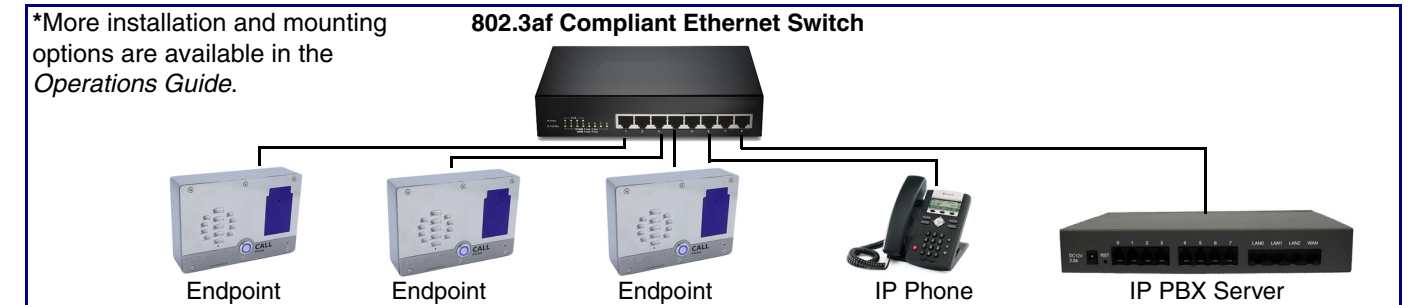
Installation Quick Reference SIP Outdoor Intercom with RFID Secure Access Control Endpoint 011477



Parameter	Factory Default Setting
IP Addressing	DHCP
IP Address ^a	192.168.1.23
Web Access Username	admin
Web Access Password	admin
Subnet Mask ^a	255.255.255.0
Default Gateway ^a	192.168.1.1

a. Default if there is not a DHCP server present.

Typical System Installation



Getting Started

- Download the *Operations Guide* PDF file, from the **Downloads** tab at the following webpage:
<https://www.cyberdata.net/products/011477>
- Create a plan for the locations of your devices.
- **WARNING:** This product should be installed by a licensed electrician according to all local electrical and building codes.
- **WARNING:** To prevent injury, this apparatus must be securely attached to the floor/wall in accordance with the installation instructions.
- **WARNING:** The PoE connector is intended for intra-building connections only and does not route to the outside plant.
- **WARNING:** This enclosure is not rated for any AC voltages!

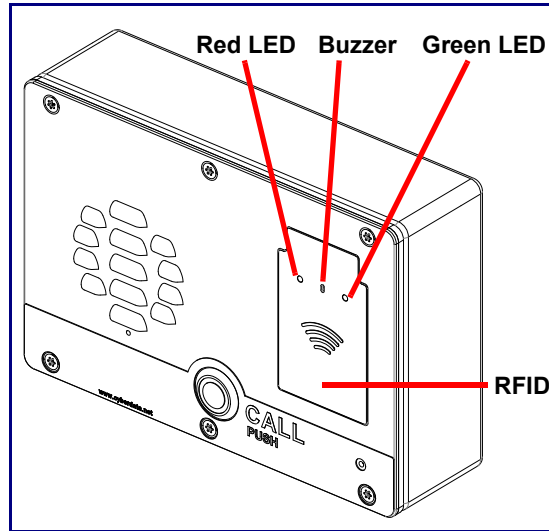
Parts

<p>(1) Assembly</p>	<p>Accessory Kit</p> <p>Carriage Bolt Bolts</p> <p>Carriage Bolt Nuts</p> <p>Carriage Bolt Washers</p>	<p>Optional Accessories</p> <p>(1) 1/2-inch EMT compression connector with extra sealing locknut</p>	<p>(1) 531085* Hole plug assembly</p>
<p>RFID cards</p>	<p>Mounting Component Security Torx Key</p> <p>Accessory Kit Security Torx MS</p>		

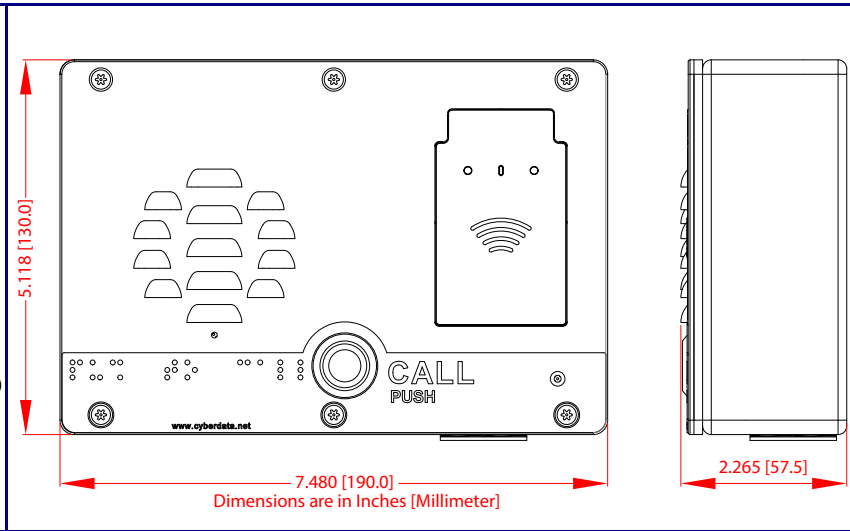
Contacting CyberData

<p>Corporate Headquarters</p> <p>CyberData Corporation 3 Justin Court Monterey, CA 93940, USA</p> <p>Phone: 831-373-2601 Fax: 831-373-4193 https://www.cyberdata.net/</p>	<p>Sales: 831-373-2601 ext. 334 Support: 831-373-2601 ext. 333 Support Website: https://support.cyberdata.net/ RMA Department Contact and Status: https://support.cyberdata.net/ Warranty Information: https://support.cyberdata.net/</p>
---	--

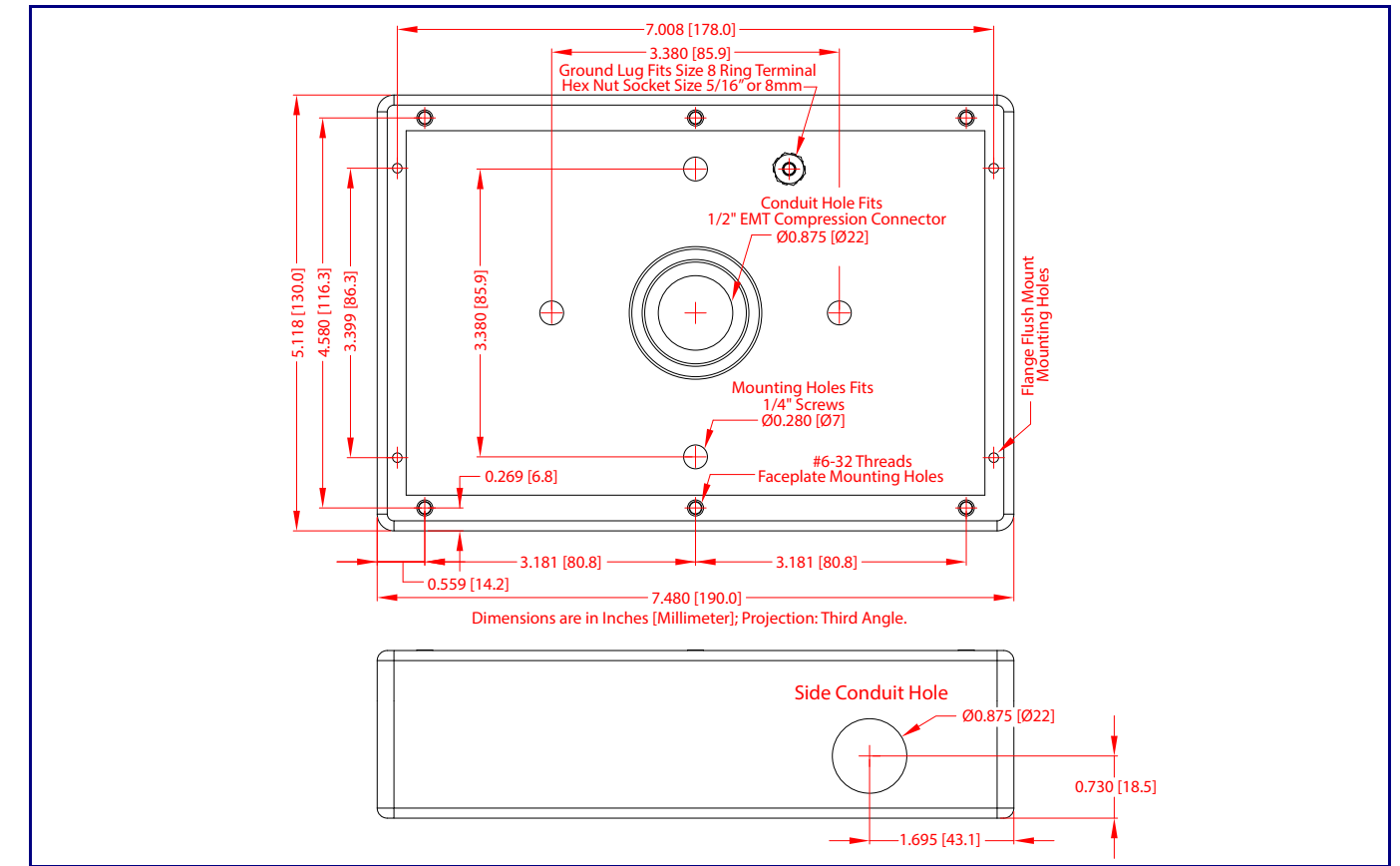
Features



Dimensions (Front and Side View)

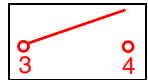


Dimensions (Rear View and Mounting Holes)



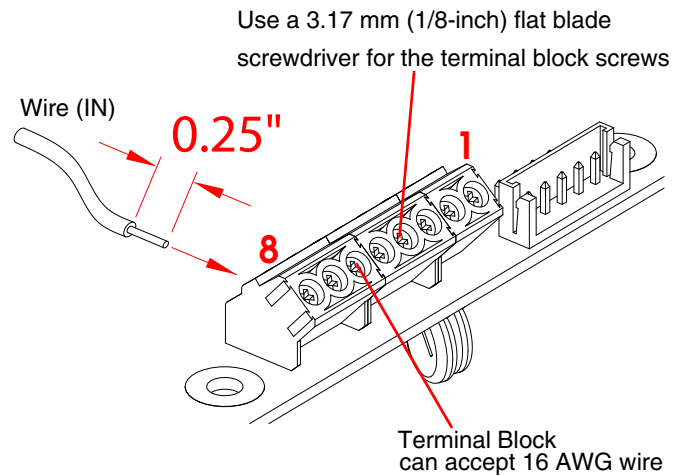
Terminal Block Connections

Alternate Power Input:
 1 = +8 to +12VDC @ 1000mA Regulated Power Supply*
 2 = Power Ground*

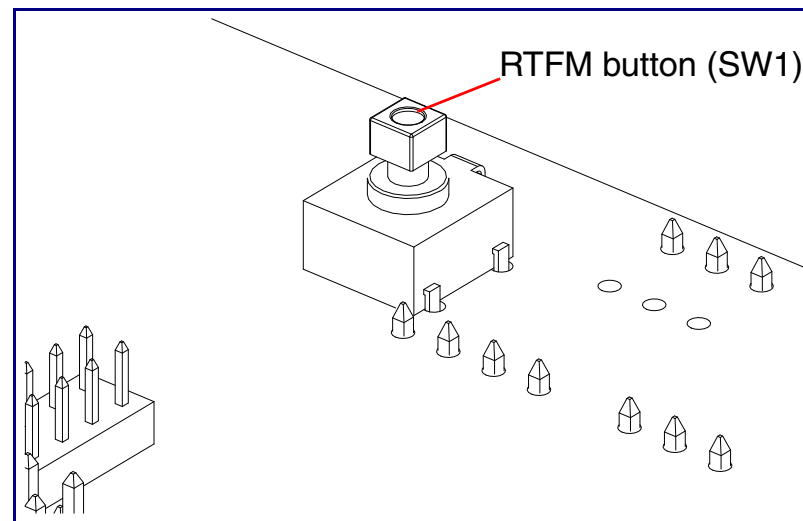


Relay Contact:
 (1 A at 30 VDC for continuous loads)
 3 = Relay Common
 4 = Relay Normally Open Contact
 5 = Sense Input
 6 = Sense Ground
 7 = Remote Switch "A"
 8 = Remote Switch "B"

*Contacts 1 and 2 on the terminal block are only for powering the device from a non-PoE 12VDC power source as an alternative to Network PoE power. Use of these contacts for any other purpose will damage the device and void the product warranty.



RTFM Button



When the device is operational and linked to a network, you can use the Reset Test Function Management (RTFM) button (SW1 [see picture]) to restore the device to the factory default settings.

To restore the device to factory default settings:

- Press and hold the RTFM button for longer than five seconds.

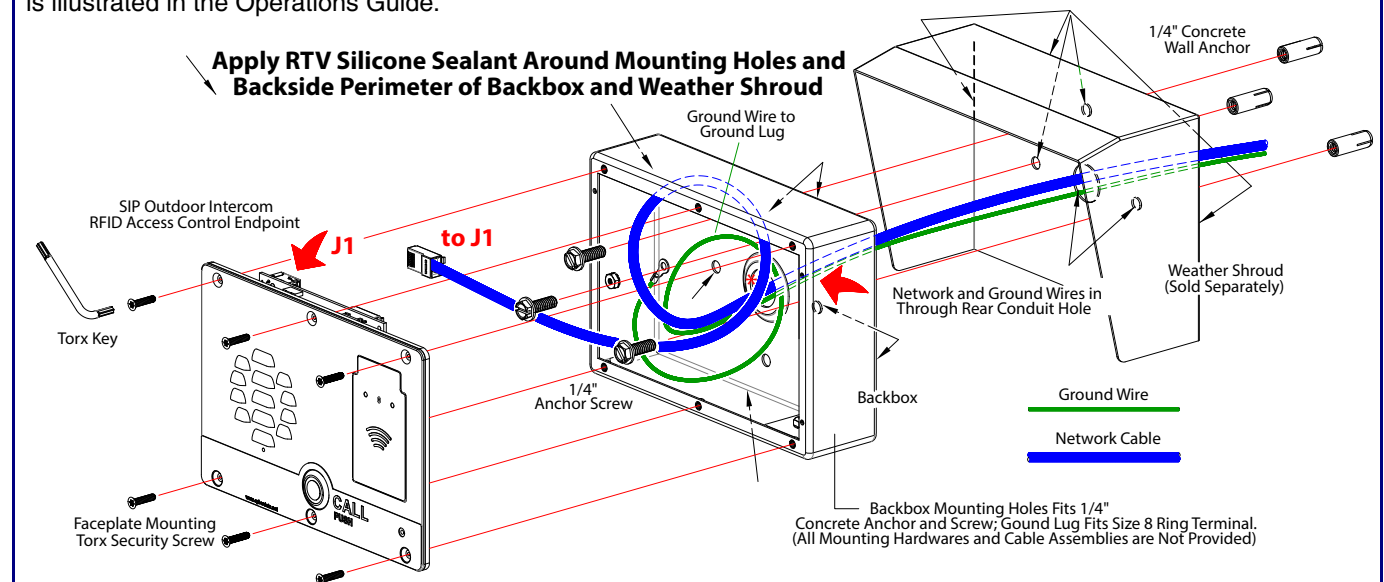
Note The device will use DHCP to obtain the new IP address (DHCP-assigned address or default to 10.10.10.10 if a DHCP server is not present).

Wall Mounting with Ground Cable and Network Cable Installation

Note: To mount the device, use methods compliant with local electrical codes.

Note: More installation and mounting information is illustrated in the Operations Guide.

Note: For flush mount installations, purchase the 011442 Flush Mount Kit, 2x (sold separately). For more information, go to: <https://www.cyberdata.net/products/011442>



Caution

Equipment Hazard: Do not use an electric or power screwdriver to fasten the face plate and PCB assembly to the gang box. To prevent over-torque damage to the gasket, do not apply more than 10 inch-pounds force. Over-torquing will cause the gasket to tear, risk moisture intrusion, and effectively void the manufacturer's warranty.