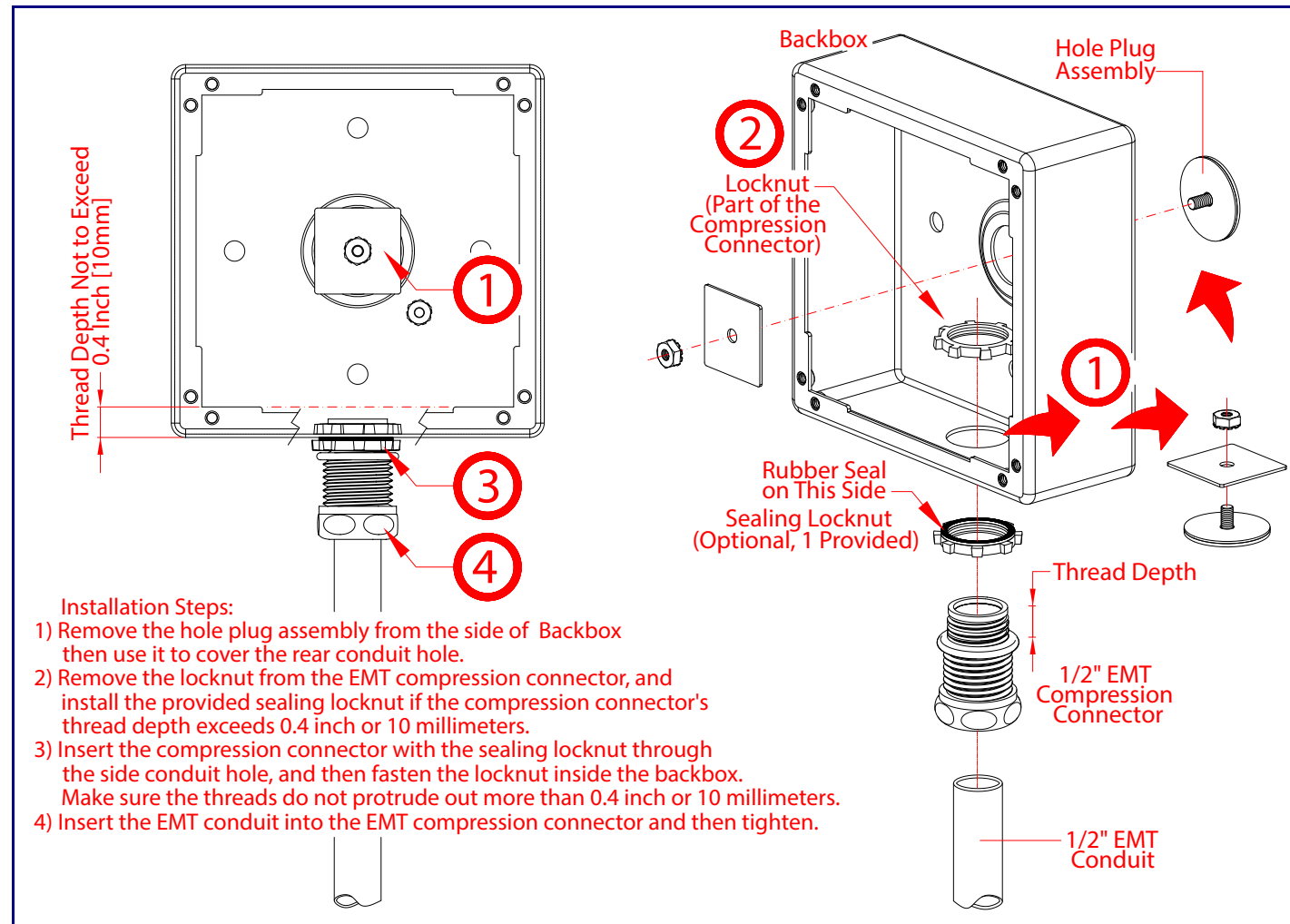


Side Conduit Mounting Restrictions



Contacting CyberData

Corporate Headquarters

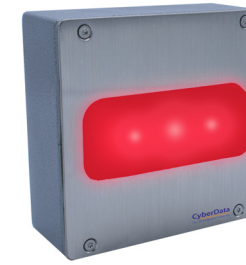
CyberData Corporation
3 Justin Court
Monterey, CA 93940, USA

Phone: 831-373-2601
Fax: 831-373-4193

<http://www.cyberdata.net/>

Sales: (831) 373-2601 ext. 334
Support: 831-373-2601 ext. 333
Support Website: <http://support.cyberdata.net/>
RMA Department: (831) 373-2601 ext. 136
RMA Email: RMA@CyberData.net
RMA Status: <http://support.cyberdata.net/>
Warranty Information: <http://support.cyberdata.net/>

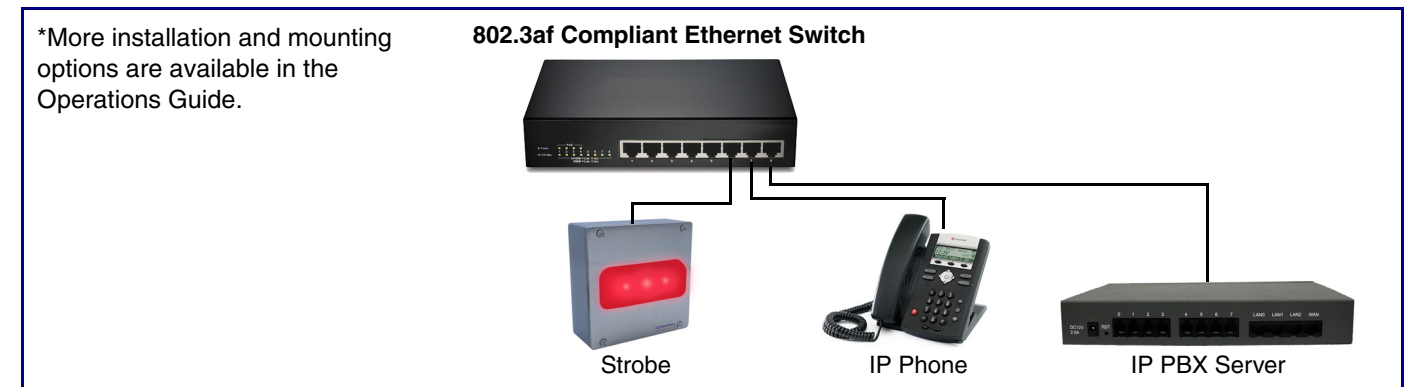
SIP Outdoor RGB (Multi-Color) Strobe 011479



Parameter	Factory Default Setting
IP Addressing	DHCP
IP Address ^a	10.10.10.10
Web Access Username	admin
Web Access Password	admin
Subnet Mask ^a	255.0.0.0
Default Gateway ^a	10.0.0.1

a. Default if there is not a DHCP server present.

Typical System Installation



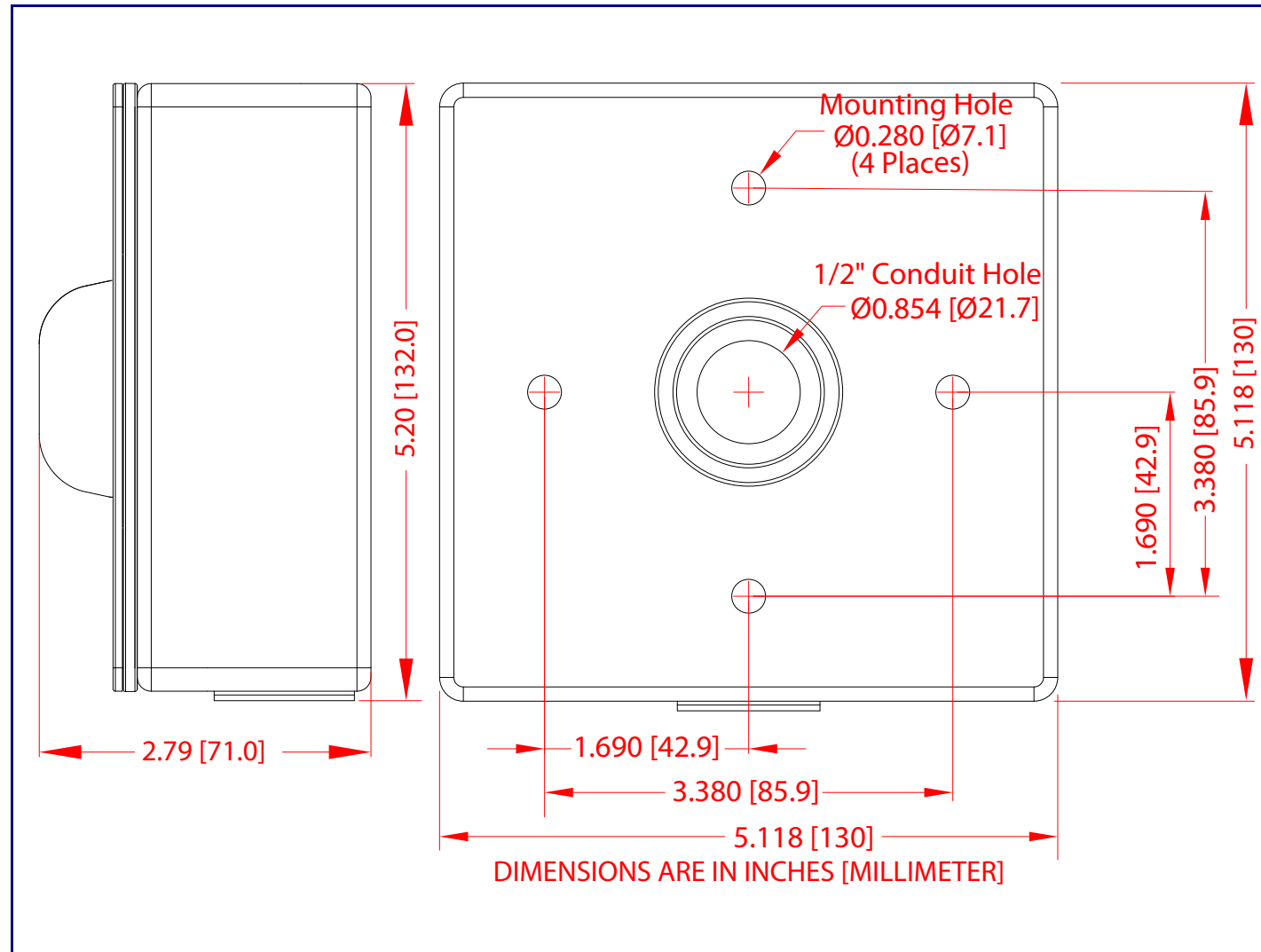
Getting Started

- Download the *SIP Outdoor RGB (Multi-Color) Strobe Operations Guide* PDF file, from the SIP Outdoor RGB (Multi-Color) Strobe product page at:
<https://www.cyberdata.net/products/011479>
- Create a plan for the locations of your SIP Outdoor RGB (Multi-Color) Strobes.
- **WARNING:** This product should be installed by a licensed electrician according to all local electrical and building codes.
- **WARNING:** To prevent injury, this apparatus must be securely attached to the floor/wall in accordance with the installation instructions.
- **WARNING:** The PoE connector is intended for intra-building connections only and does not route to the outside plant.
- **WARNING:** This enclosure is not rated for any AC voltages!

Parts

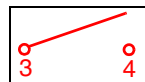
(1) Strobe Assembly 	(1) T-15H Torx Key 	Optional Accessories (for gooseneck mounting) (4) Carriage bolt nuts (4) Carriage bolts (4) Carriage bolt washers 	Optional Accessories (1) Spacer for half-inch set conduit connector (1) 531085* hole plug assembly
	(4) Security Torx Screw 		

Dimensions and Rear View with Mounting Holes



Connections

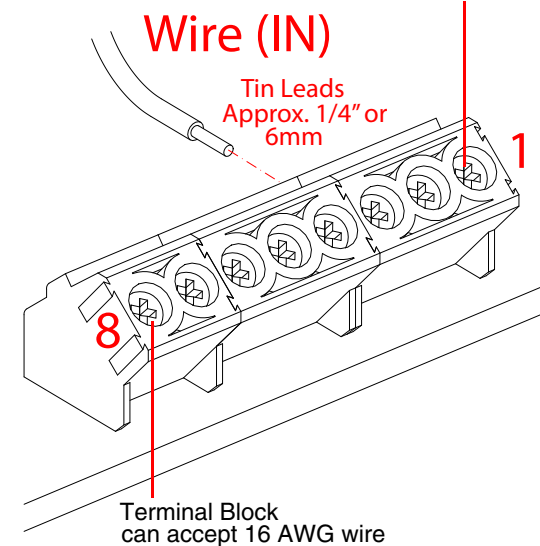
Alternate Power Input:
1 = +8 to +12VDC @ 1000mA Regulated Power Supply*
2 = Power Ground*



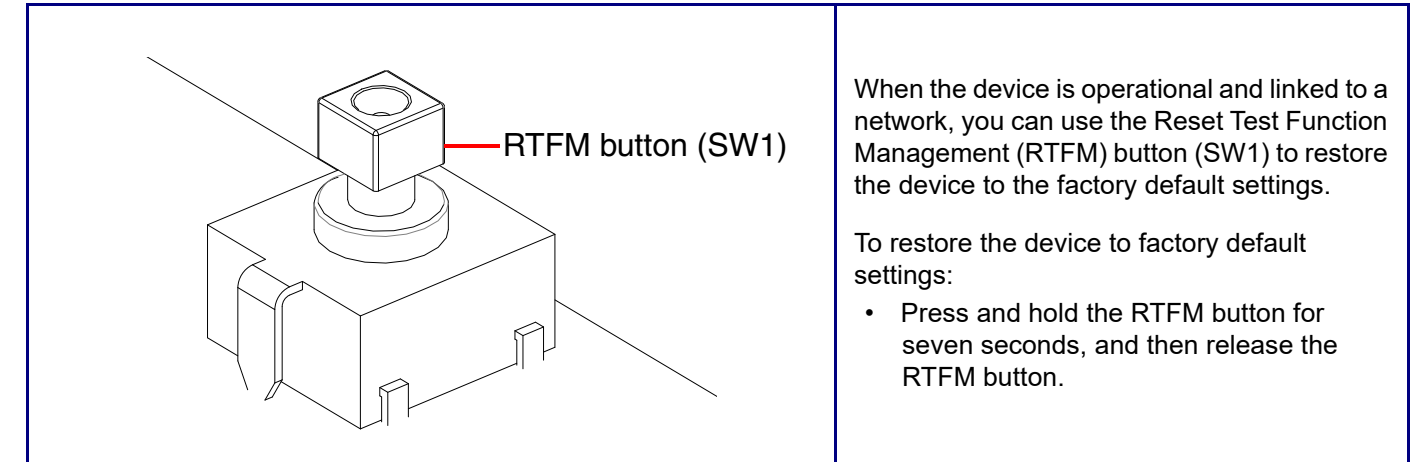
Relay Contact:
(1 A at 30 VDC for continuous loads)
3 = Relay Common
4 = Relay Normally Open Contact
5 = Sense Input
6 = Sense Ground
7 = Remote Switch "A"
8 = Remote Switch "B"

*Contacts 1 and 2 on the terminal block are only for powering the device from a non-PoE 12VDC power source as an alternative to Network PoE power. Use of these contacts for any other purpose will damage the device and void the product warranty.

Use a 3.17 mm (1/8-inch) flat blade screwdriver for the terminal block screws



RTFM Button



Wall Mounting Option

