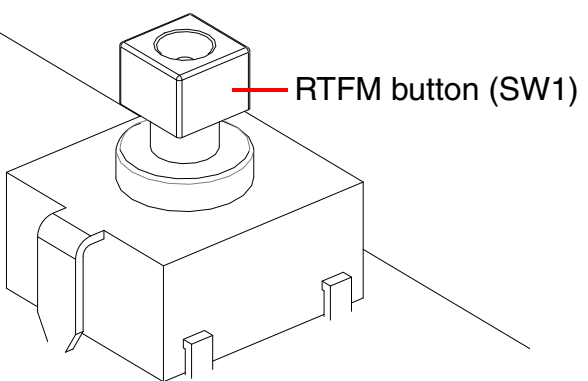


## RTFM Button



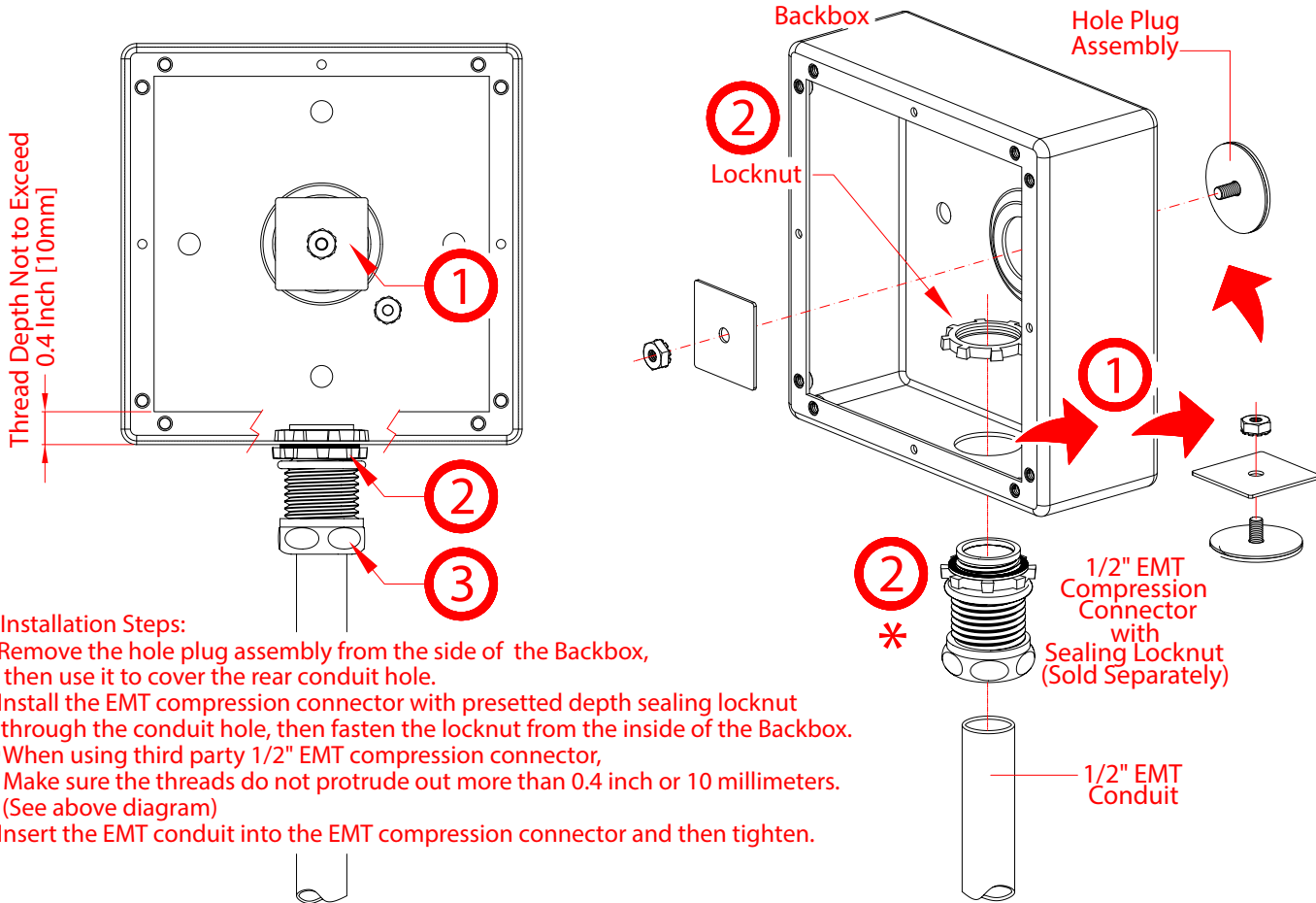
RTFM button (SW1)

When the device is operational and linked to a network, you can use the Reset Test Function Management (RTFM) button (SW1) to restore the device to the factory default settings.

To restore the device to factory default settings:

- Press and hold the RTFM button for seven seconds, and then release the RTFM button.

## Side Conduit Mounting



Backbox

Hole Plug Assembly

Locknut

1/2" EMT Compression Connector with Sealing Locknut (Sold Separately)

1/2" EMT Conduit

Thread Depth Not to Exceed 0.4 Inch [10mm]

Installation Steps:

- Remove the hole plug assembly from the side of the Backbox, then use it to cover the rear conduit hole.
- Install the EMT compression connector with presetted depth sealing locknut through the conduit hole, then fasten the locknut from the inside of the Backbox.
- \*When using third party 1/2" EMT compression connector, Make sure the threads do not protrude out more than 0.4 inch or 10 millimeters. (See above diagram)
- Insert the EMT conduit into the EMT compression connector and then tighten.

## Contacting CyberData

### Corporate Headquarters

CyberData Corporation  
3 Justin Court  
Monterey, CA 93940, USA

Phone: 831-373-2601  
Fax: 831-373-4193

<http://www.cyberdata.net/>

Sales: 831-373-2601 ext. 334  
Support: 831-373-2601 ext. 333  
Support Website: <http://support.cyberdata.net/>  
RMA Department Contact and Status: <http://support.cyberdata.net/>  
Warranty Information: <http://support.cyberdata.net/>

**CyberData**  
The IP Endpoint Company

## Installation Quick Reference

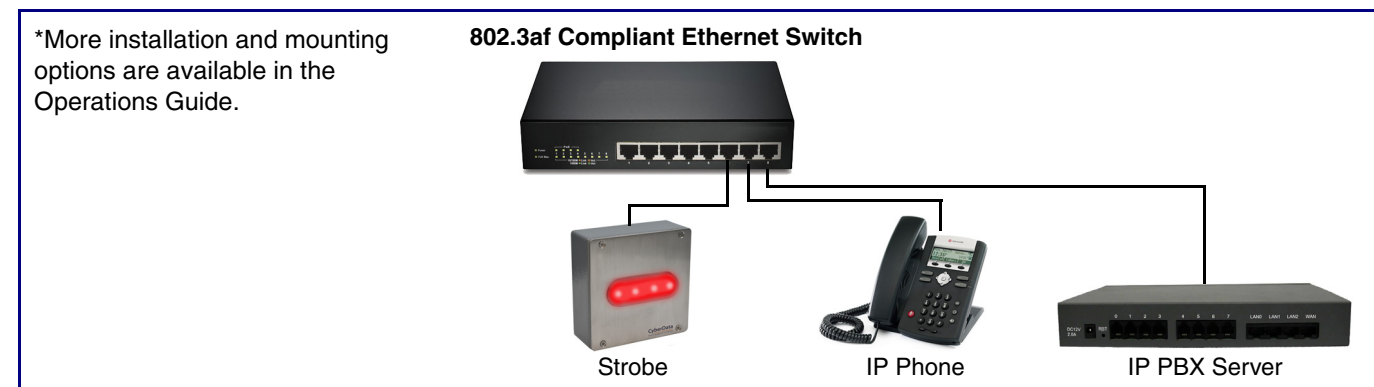
# SIP Outdoor RGB (Multi-Color) Strobe 011479



Parameter	Factory Default Setting
IP Addressing	DHCP
IP Address <sup>a</sup>	10.10.10.10
Web Access Username	admin
Web Access Password	admin
Subnet Mask <sup>a</sup>	255.0.0.0
Default Gateway <sup>a</sup>	10.0.0.1

a. Default if there is not a DHCP server present.


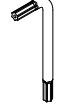
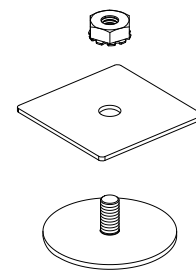
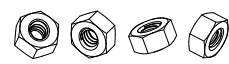


## Typical System Installation



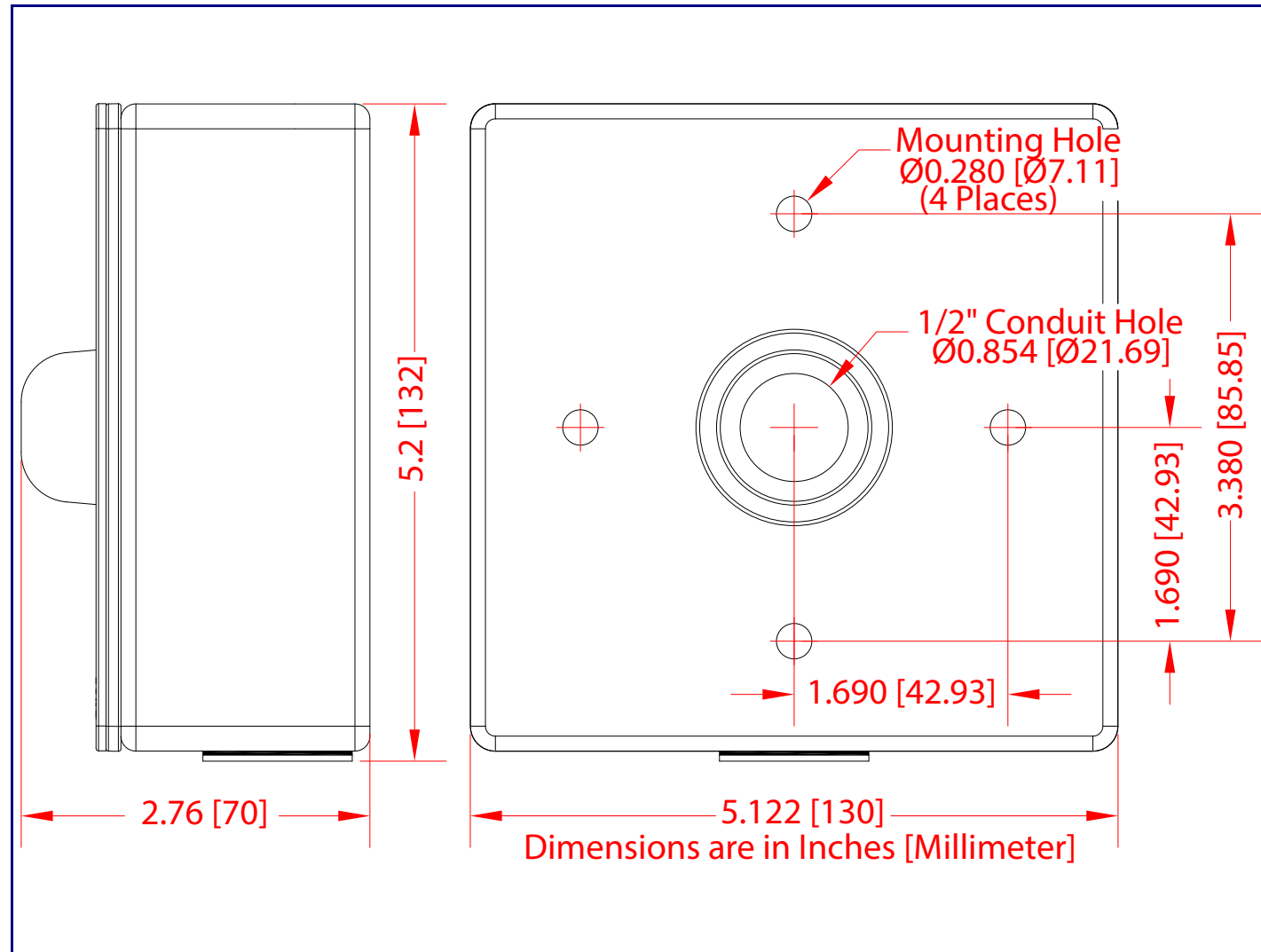
## Getting Started

- Download the *SIP Outdoor RGB (Multi-Color) Strobe Operations Guide* PDF file, from the SIP Outdoor RGB (Multi-Color) Strobe product page at:  
<https://www.cyberdata.net/products/011479>
- Create a plan for the locations of your SIP Outdoor RGB (Multi-Color) Strobes.
- WARNING:** This product should be installed by a licensed electrician according to all local electrical and building codes.
- WARNING:** To prevent injury, this apparatus must be securely attached to the floor/wall in accordance with the installation instructions.
- WARNING:** The PoE connector is intended for intra-building connections only and does not route to the outside plant.
- WARNING:** This enclosure is not rated for any AC voltages!

## Parts

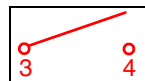
<p><b>Accessory Kit</b></p> <p>(4) Phillips Screws    (4) Security Torx Screws</p>  <p>(1) T-15H Torx Key</p> 	<p>(1) Hole plug assembly</p> 	<p><b>Optional Accessories (for gooseneck mounting)</b></p> <p>(4) Carriage bolt nuts</p>  <p>(4) Carriage bolts</p>  <p>(4) Carriage bolt washers</p> 
--	---	--

## Dimensions and Rear View with Mounting Holes



## Connections

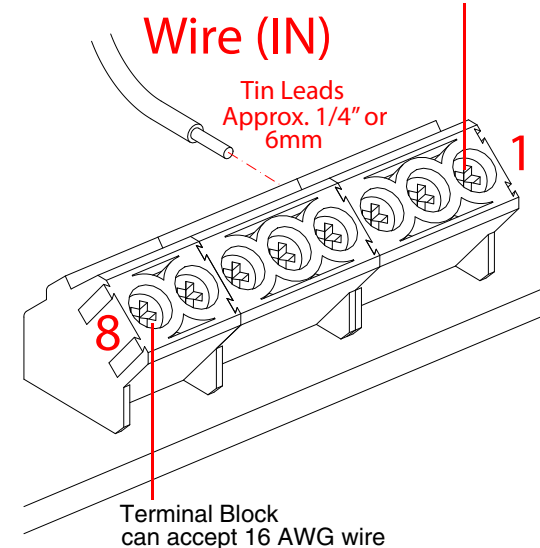
Alternate Power Input:  
 1 = +8 to +12VDC @ 1000mA Regulated Power Supply\*  
 2 = Power Ground\*



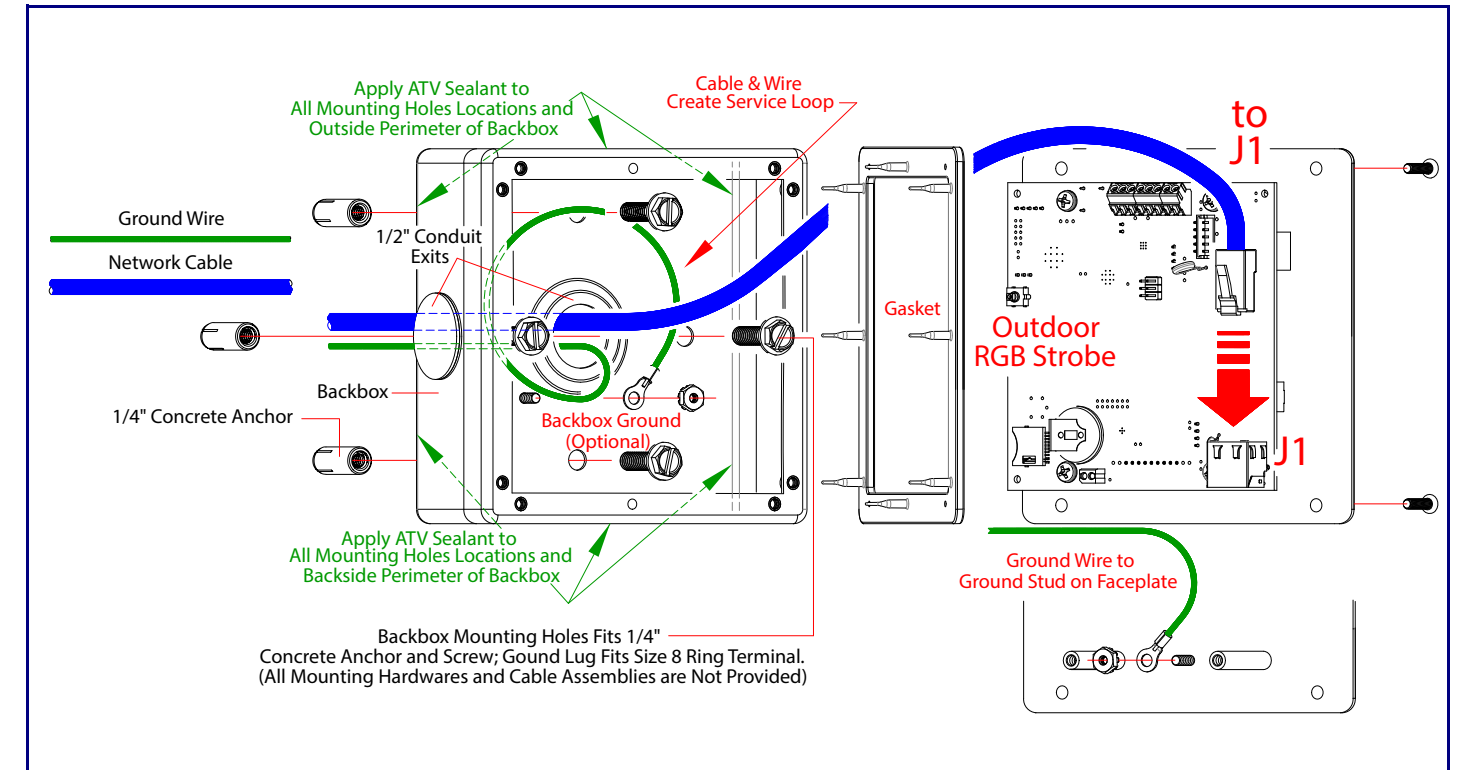
Relay Contact:  
 (1 A at 30 VDC for continuous loads)  
 3 = Relay Common  
 4 = Relay Normally Open Contact  
 5 = Sense Input  
 6 = Sense Ground  
 7 = Remote Switch "A"  
 8 = Remote Switch "B"

\*Contacts 1 and 2 on the terminal block are only for powering the device from a non-PoE 12VDC power source as an alternative to Network PoE power. Use of these contacts for any other purpose will damage the device and void the product warranty.

Use a 3.17 mm (1/8-inch) flat blade screwdriver for the terminal block screws



## Connecting and Sealing the RGB Strobe



## Installing the Ground Cable

