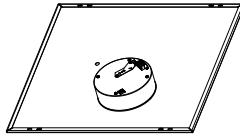


Syn-Apps Enabled 2 x 2 Ceiling Tile Drop-In Speaker **011522**

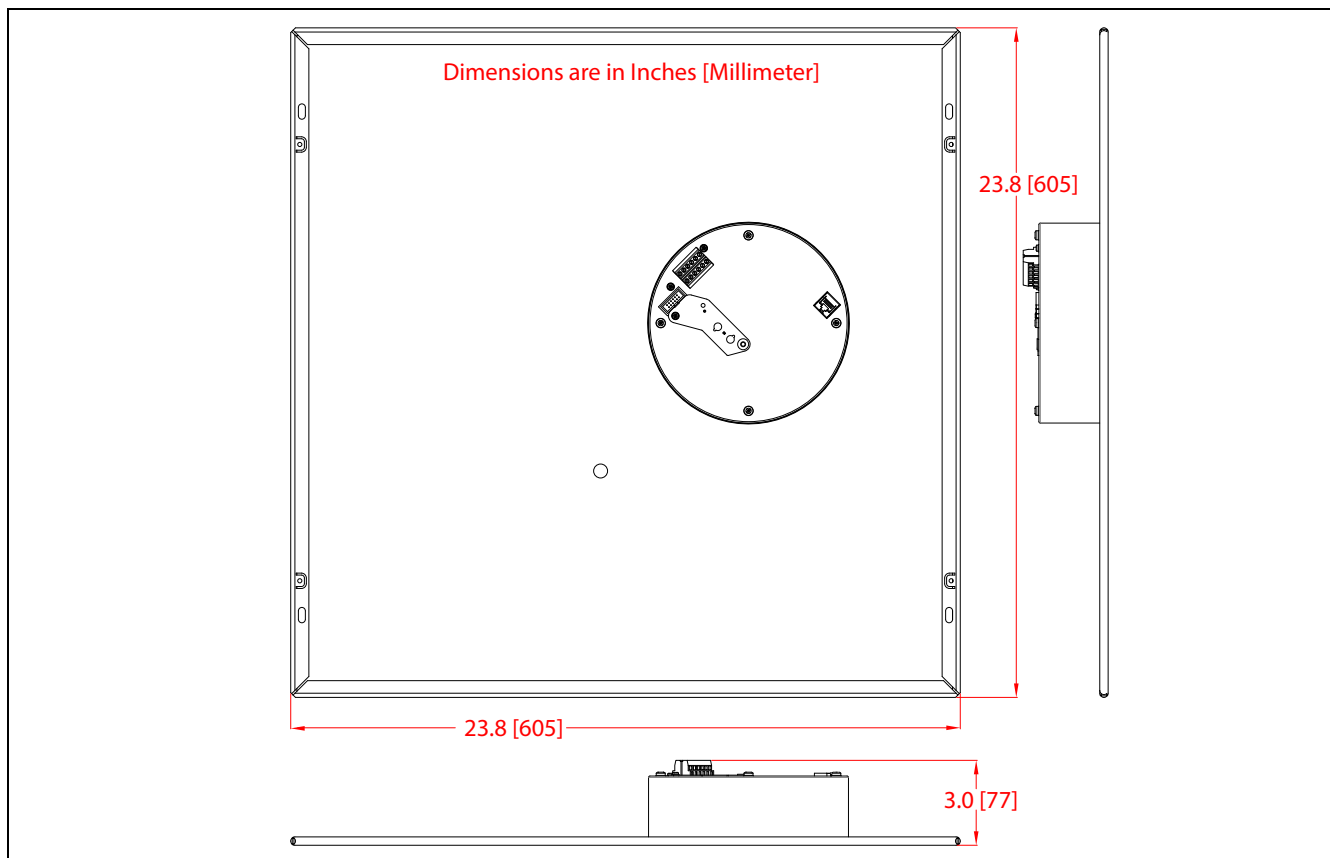
Parts

(1) Syn-Apps Enabled 2 x 2 Ceiling Tile Drop-In Speaker Assembly



Fits 24-inches x 24-inches and 24-inches x 48-inches ceiling tile

Dimensions



Contacting Syn-Apps

Corporate Headquarters

Syn-Apps LLC
2812 N Norwalk
Suite 112
Mesa, AZ 85215

Phone: 480-664-6071 / 866-664-6071
Fax: 480-659-8999 / 866-659-8999

Website: www.syn-apps.com

Sales: sales@syn-apps.net

Support: <http://www.syn-apps.com/resources/support>
Email: <http://www.syn-apps.com/contact-us>

Installation Procedure

To install the Syn-Apps Enabled 2 x 2 Ceiling Tile Drop-In Speaker, complete the following steps while referencing the figure below:

1. Remove the Ceiling Tile (Below Figure Showing a 2 x 2 Grid) from the Ceiling Grid. Cut the 2 x 4 Ceiling Tile in Half if using a 2 x 4 Grid.
2. Place the Cross T* in the Middle for Support (Only on a 2 x 4 Grid).
3. Use a Flat Blade Screwdriver to Pry the Seismic Tether Bracket(s) on the 2 x 2 Ceiling Tile Speaker Assembly.
4. Install Eyebolt(s) or Nail(s) to the Joist.
5. Connect the Network Cable to the Network Port and Wire(s) to the Terminal Block, etc. to the 2 x 2 Ceiling Tile Speaker Assembly.
6. Use Steel Wire(s) to Connect Seismic Tether Bracket(s) to the Eyebolt(s) or Nail(s). Place the 2 x 2 Ceiling Tile Speaker Assembly on to the Ceiling Grid and the Cross T* (see [Step 2](#)).

Installing the Syn-Apps Enabled 2 x 2 Ceiling Tile Drop-In Speaker

