

WiFi Alert Button

CyberData

The IP Endpoint Company

The CyberData WiFi Alert Button provides an easy and reliable device that, when pressed, will interact with the designated IP server to generate an appropriate mass notification response.

The WiFi Alert Button is designed to operate in different environments. Paired with the CyberData SIP Paging Server with Bell Scheduler (part #011146), the Button, when activated, will generate an event which triggers the SIP Paging Server to produce the configured notification response.

In an InformaCast environment, the Button sends a message to the InformaCast Server which then creates an event in the InformaCast software to generate the mass notification response.

The device can be mounted on a wall or discreetly under a desk. Powered by an external +5V supply - such as a cell phone charger - and with a 4-hour back-up battery, the CyberData WiFi Alert Button is a key component to your emergency notification solution.



Features

- A network of up to 100 Buttons* can be configured with a single CyberData SIP Paging Server or InformaCast Server.
- Large lighted color button
- Adjustable button brightness, blink rates and activation time
- Adjustable buzzer
- +5V power from USB wall charger with 3 ft cable (included)
- Built-in battery backup allows up to 4 hours of uninterrupted operation
- 802.11 b/g/n WiFi support
- WPA2 PSK
- WiFi Configuration/Discovery Tool
- Network battery diagnostic monitoring
- Over-the-air upgradeable firmware

* The Paging Server supports up to 100 buttons, but network infrastructure could impact the number of attached devices

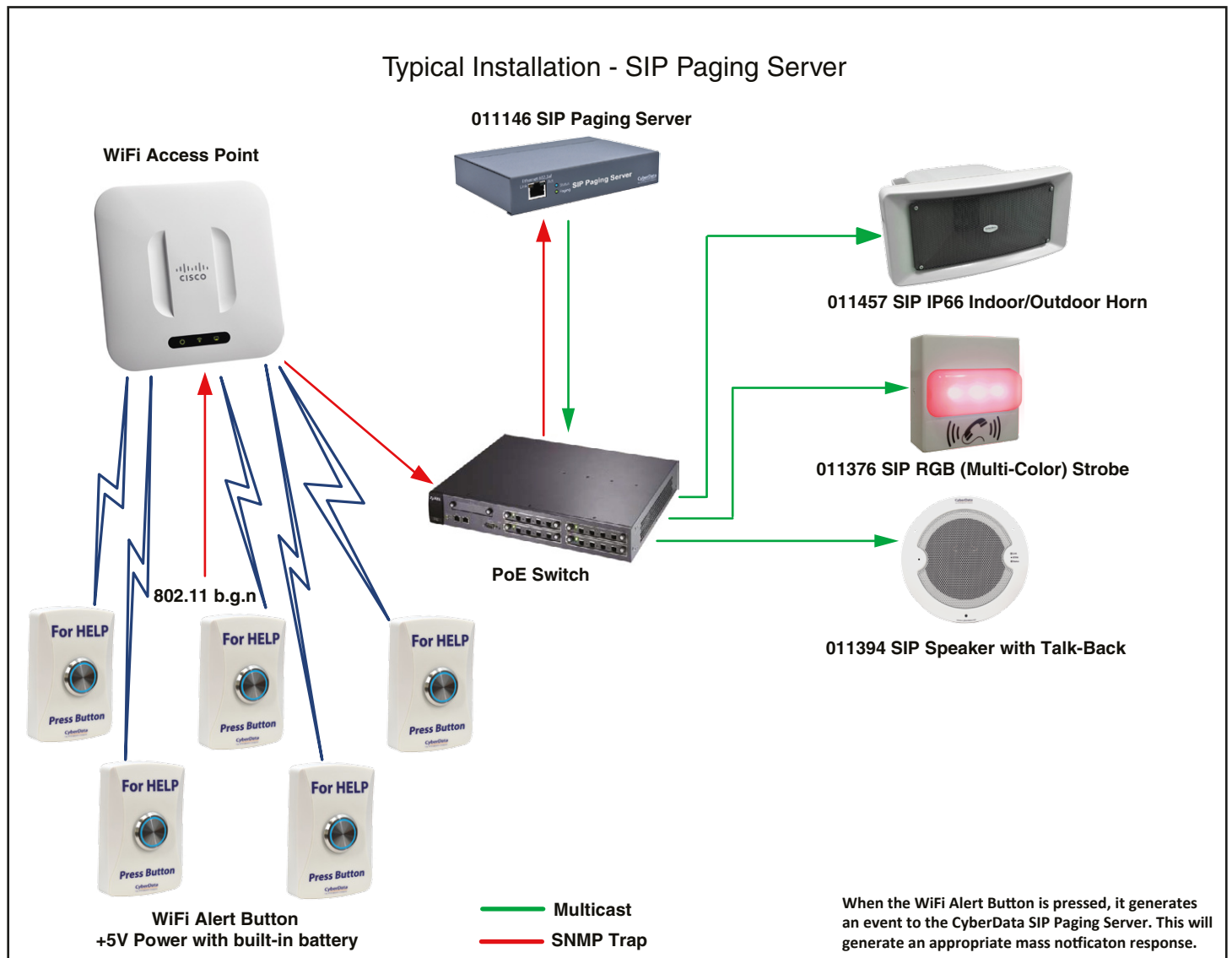
Specifications

Wi-Fi	802.11 b/g/n
On-board PCB Antenna	Gain of 3.7dBi
Power	External +5 Volt supply
Battery Backup	Up to four hours
Operating Range	Temperature: -40° C to 55° C (-40° F to 131° F) Humidity: 5-95%, non-condensing
Storage Temperature	Temperature: -40° C to 70° C (-40° F to 158° F)
Storage Altitude	Up to 15,000 ft. (4573 m)
Dimensions*	Length: 2.95 in. [75 mm] Width: 1.01 in. [25.7 mm] Height: 4.53 in. [115 mm]
Weight	0.25 lbs. [0.11 kg]
Boxed Weight	0.45 lbs [0.2 kg]
Compliance	RoHS Compliant
Warranty	2 Years Limited
Part Number	011527

*Dimensions are measured from the perspective of the product being upright with the front of the product facing you.

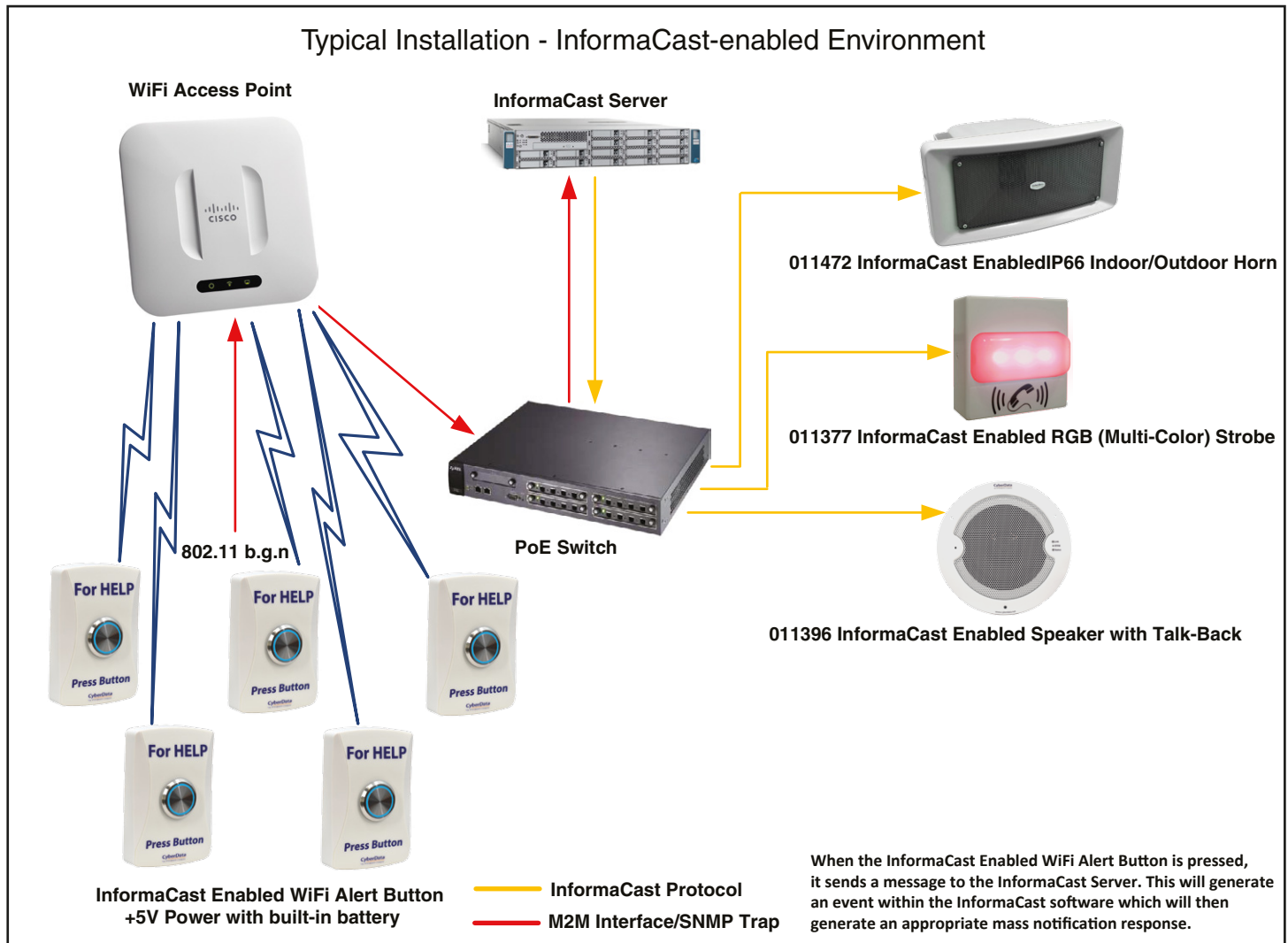
WiFi Alert Button

Typical Installation - SIP Paging Server

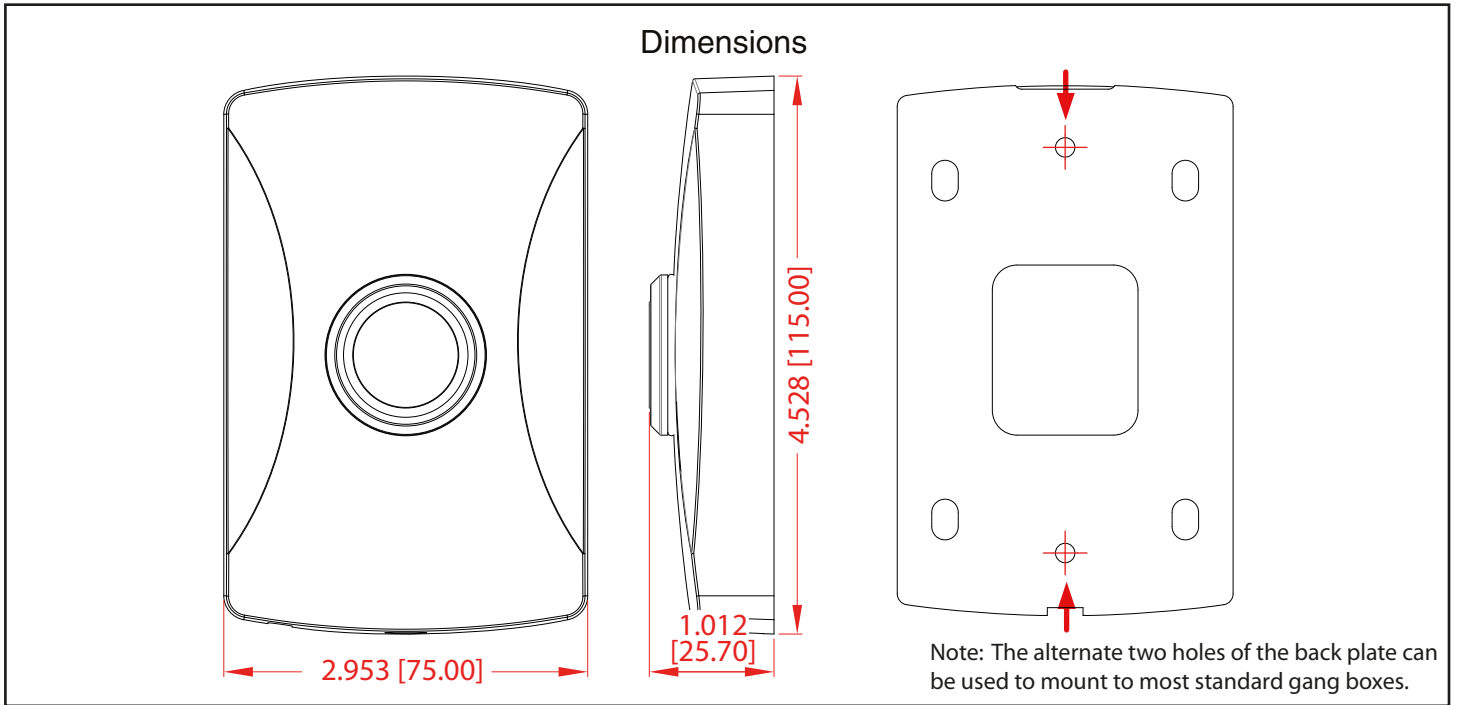


WiFi Alert Button

Typical Installation - InformaCast-enabled Environment



WiFi Alert Button



Related Products:



INFORMACAST ENABLED

