

## *2 x 2 Ceiling Tile Panel Quick Reference Placemat*

Part #011582

Document Part #932038B

### Contacting CyberData

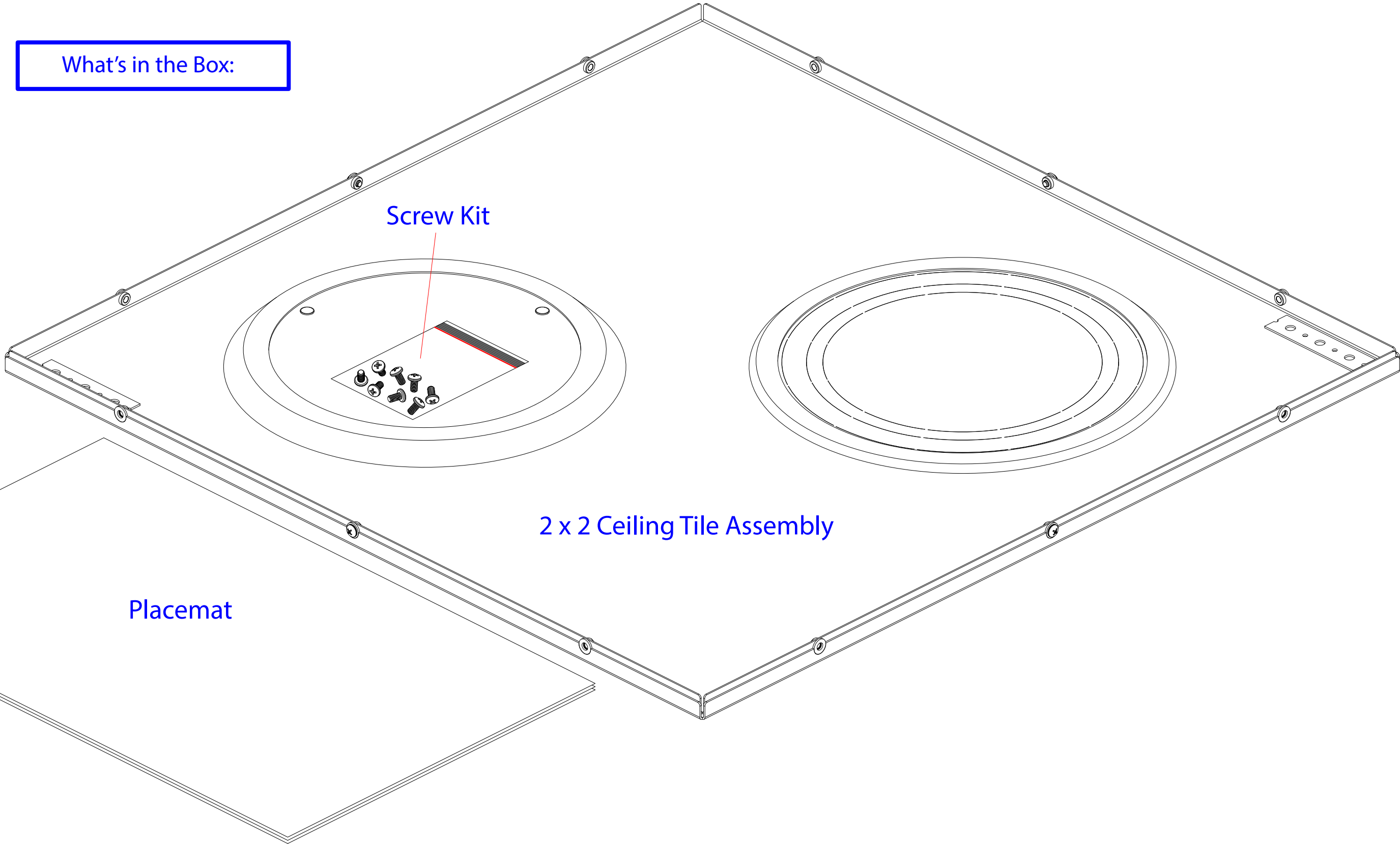
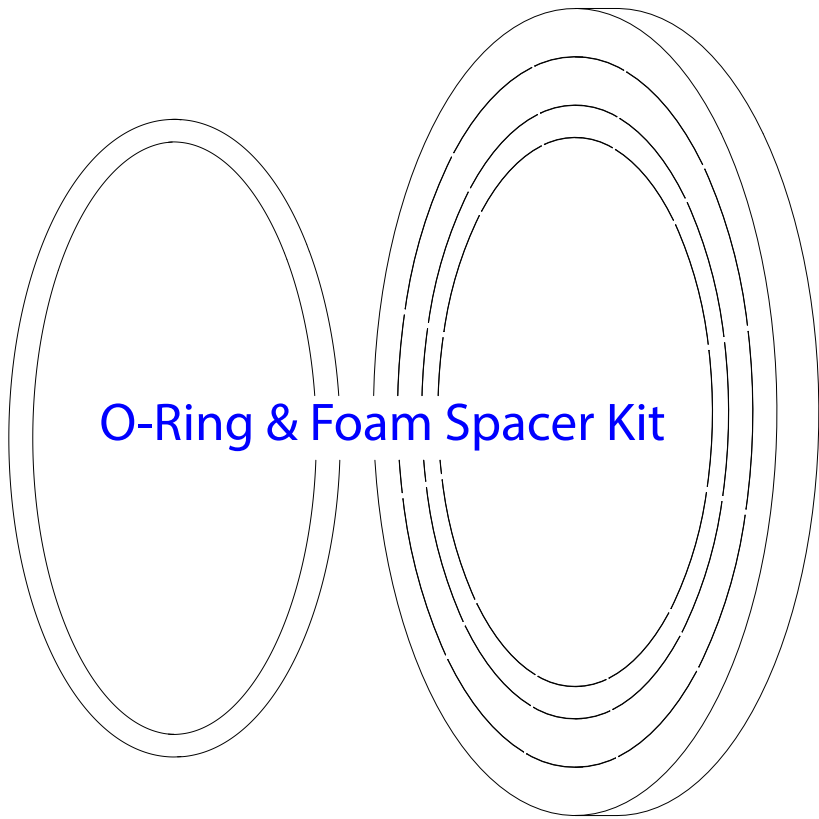
#### Corporate Headquarters

CyberData Corporation  
3 Justin Court  
Monterey, CA 93940, USA

Phone: 831-373-2601  
Fax: 831-373-4193  
<https://www.cyberdata.net/>

Sales: 831-373-2601 ext. 334  
Support: 831-373-2601 ext. 333  
Support Website: <https://support.cyberdata.net/>  
RMA Department Contact and Status: <https://support.cyberdata.net/>  
Warranty Information: <https://support.cyberdata.net/>

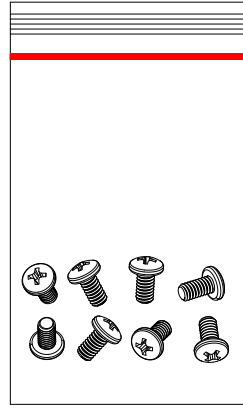
What's in the Box:



Screw Kit

Placemat

Remove Screw [S1 ~ S4] and Separate the Inner Mount and the Perforated Ceiling Tile



Remove Screw Kit from Ceiling Tile then Put Aside for Later Use

S1

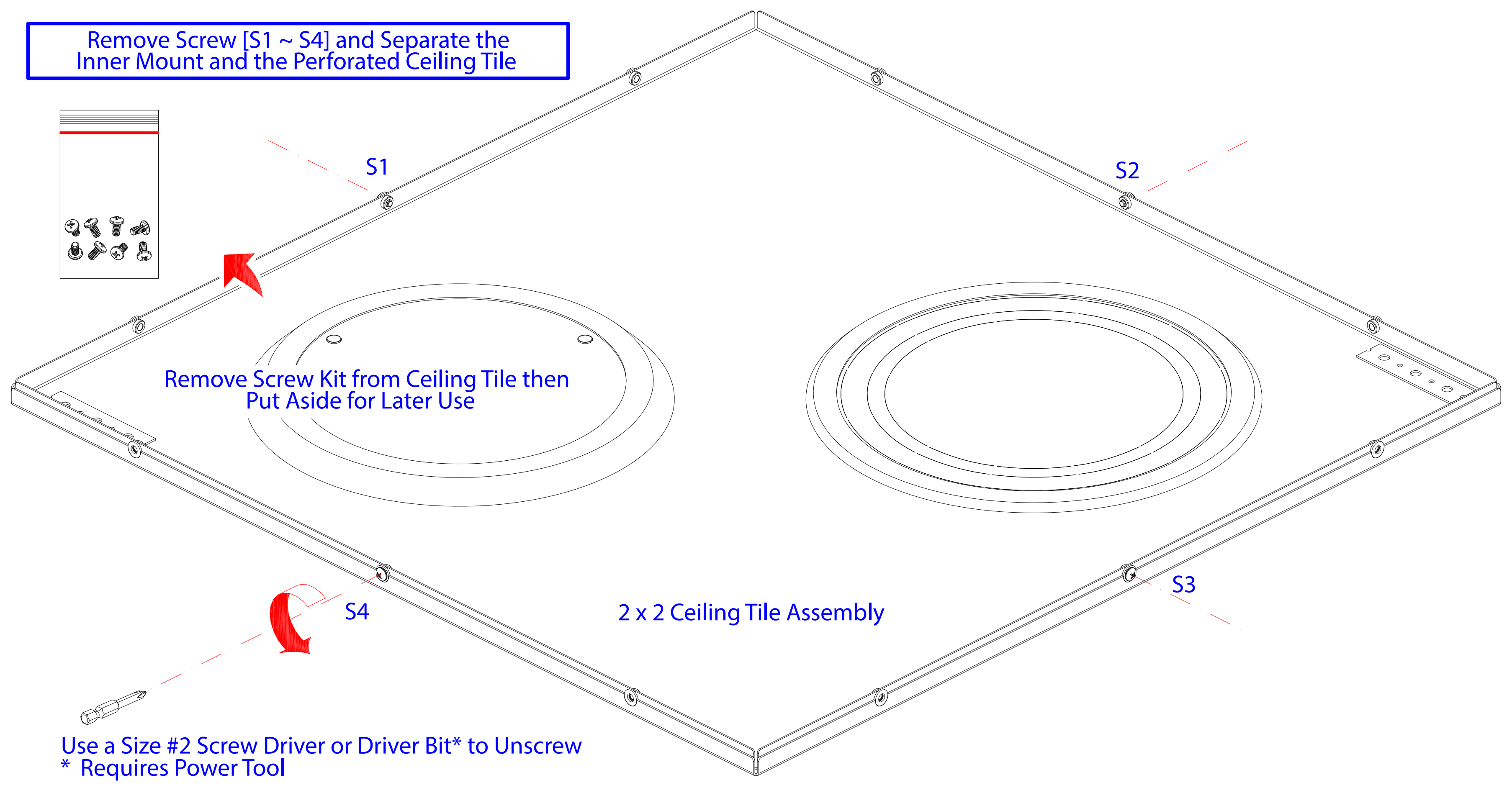
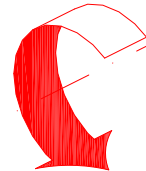
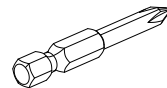
S2

S3

S4

2 x 2 Ceiling Tile Assembly

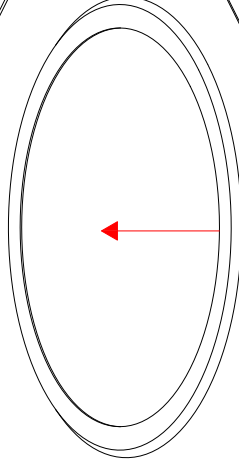
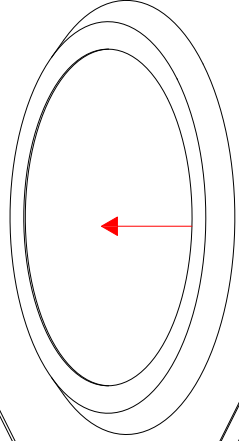
Use a Size #2 Screw Driver or Driver Bit\* to Unscrew  
\* Requires Power Tool



Install the 011394A and 011396A Speaker onto the 2x2 Ceiling Tile

Pry Up the Seismic Tether Bracket  
Run a Wire Through Hole then  
Tie it onto the Joist / Rafter

Small Indentation Hole for 011458A/011394A/011396A Speaker Assembly

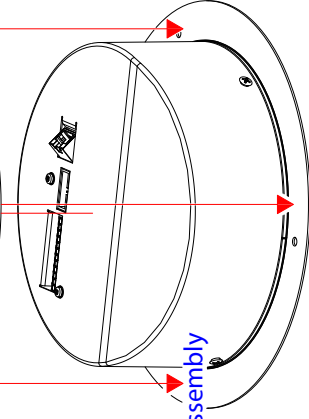
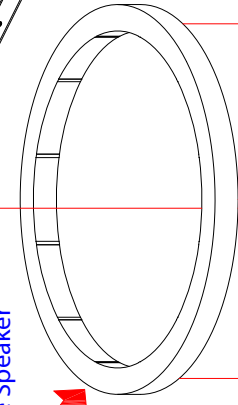
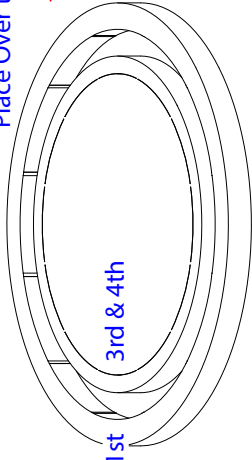


Large Indentation Hole for the 011588A Speaker Assembly

Inner Mount

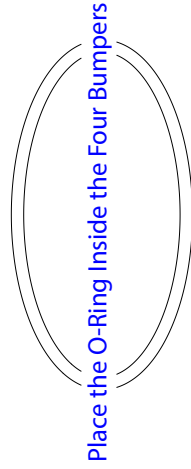
Break Loose the 2nd Round Spacer and  
Place Over the Speaker

1st  
3rd & 4th

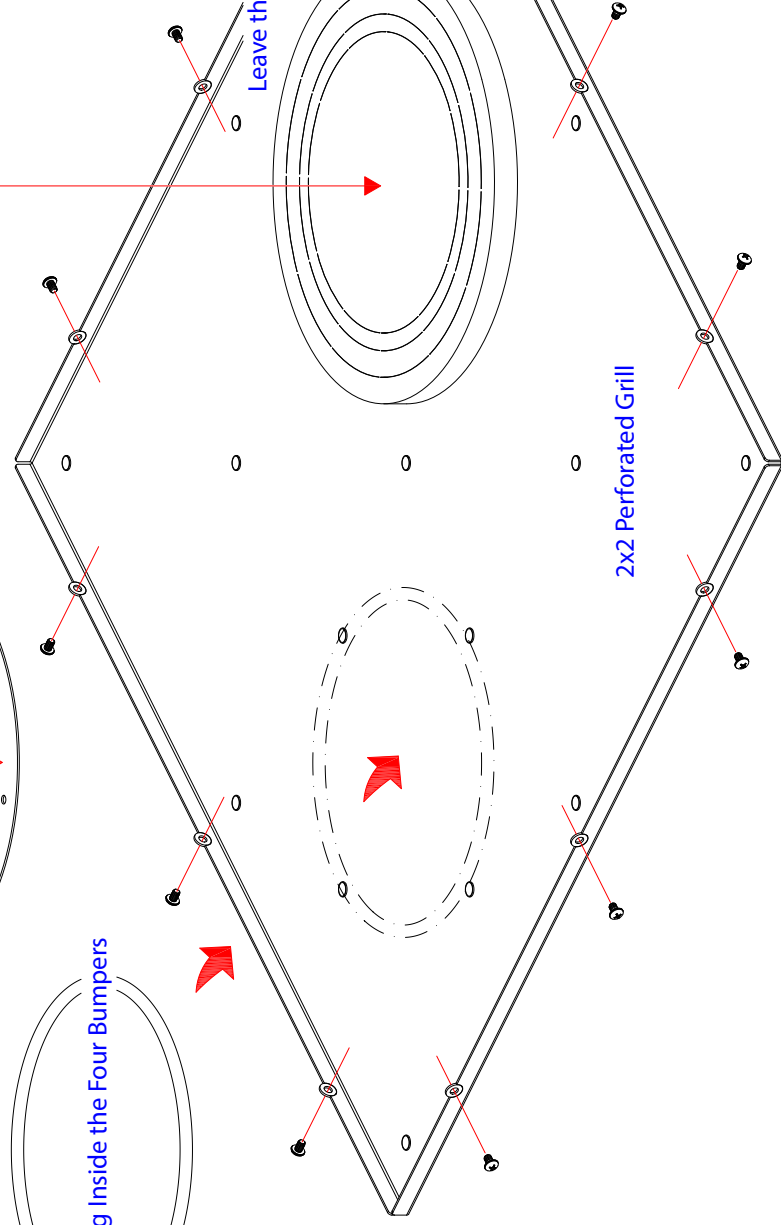


011394A or 011396A Speaker Assembly

Install All Twelve (12) Screw Once the  
Inner Mount is Sandwiched the Foam Spacer and the Speaker Assembly



Place the O-Ring Inside the Four Bumpers



Leave the Foam Spacer in Place

2x2 Perforated Grill

Install the 011458A Speaker onto the 2x2 Ceiling Tile

Pry Up the Seismic Tether Bracket  
Run a Wire Through Hole then  
Tie it onto the Joist / Rafter

Small Indentation Hole for 011458A/011394A/011396A Speaker Assembly

Large Indentation Hole for the 011588A Speaker Assembly

Inner Mount

Break the 1st and the 4th Round Spacer Away,  
Leave the 2nd and 3rd Round Spacer intact then  
Put it Over the 011458A Speaker Assembly

1st 2nd 3rd 4th

011458A Speaker Assembly

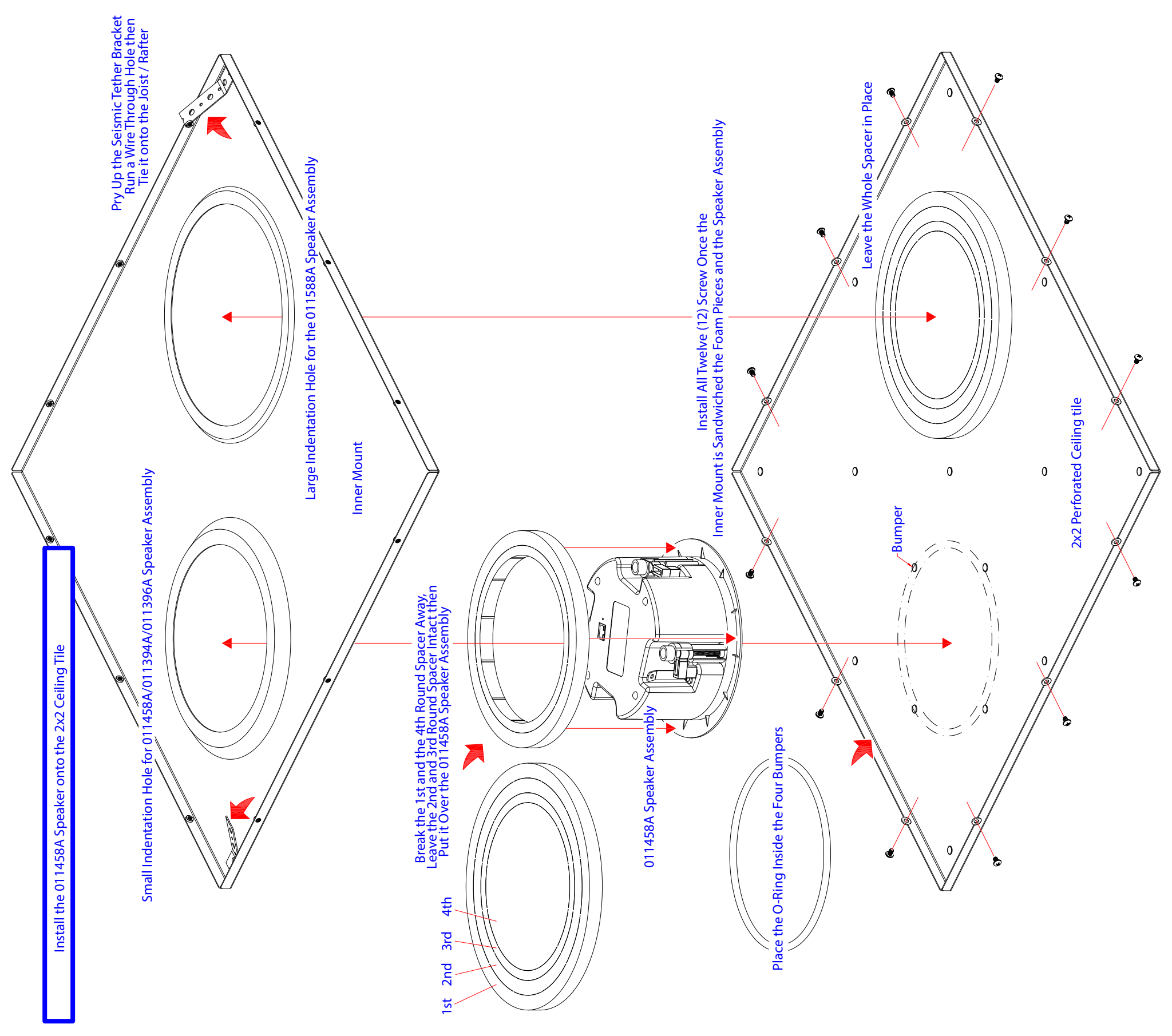
Install All Twelve (12) Screw Once the  
Inner Mount is Sandwiched the Foam Pieces and the Speaker Assembly

Place the O-Ring Inside the Four Bumpers

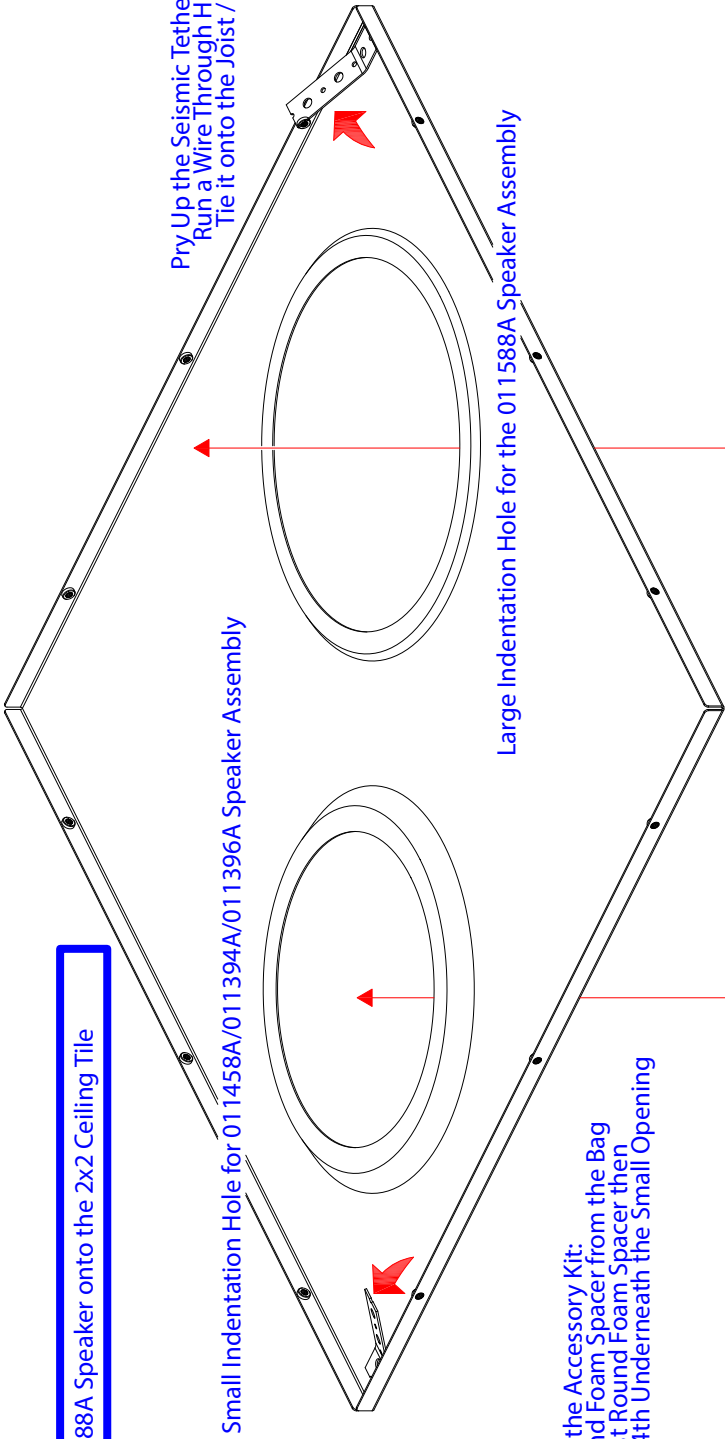
Leave the Whole Spacer in Place

Bumper

2x2 Perforated Ceiling tile

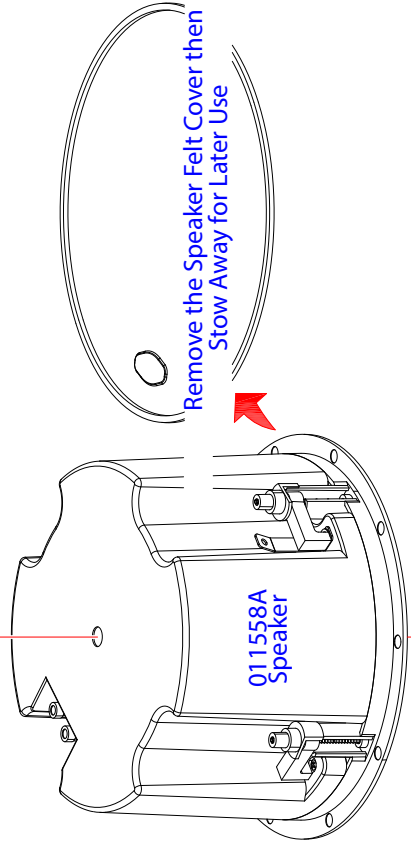
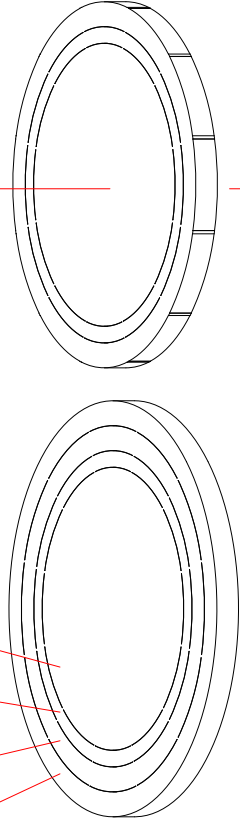


**Install the 011588A Speaker onto the 2x2 Ceiling Tile**



From the Accessory Kit:  
Remove the Round Foam Spacer from the Bag  
Break Off the 1st Round Foam Spacer then  
Place the 2nd, 3rd & 4th Underneath the Small Opening

1st 2nd 3rd 4th



Place the 011588A Speaker Directly onto the Perforated Grill

