

Tap Settings and Voltage Selection

Analog Ceiling Speaker db Output Levels*

Power Tap Settings

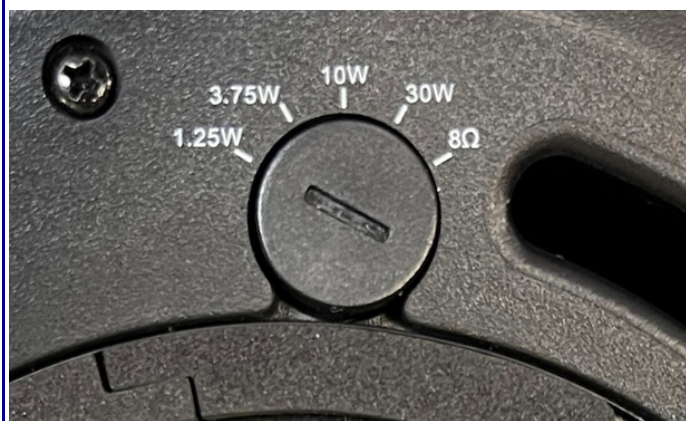
Voltage	1.25W	3.75W	10W	30W
25V	88.6	93.1	96.8	100.7
70V	89.3	93.7	97.4	101.9

* dBC @ 1M and 1kHz

To access the Voltage Selection switch and the Tap Settings, remove the magnetically attached speaker grill.

Tap Settings

Voltage Selection



Analog Ceiling Speaker

25V/70V/8 Ohm

011588

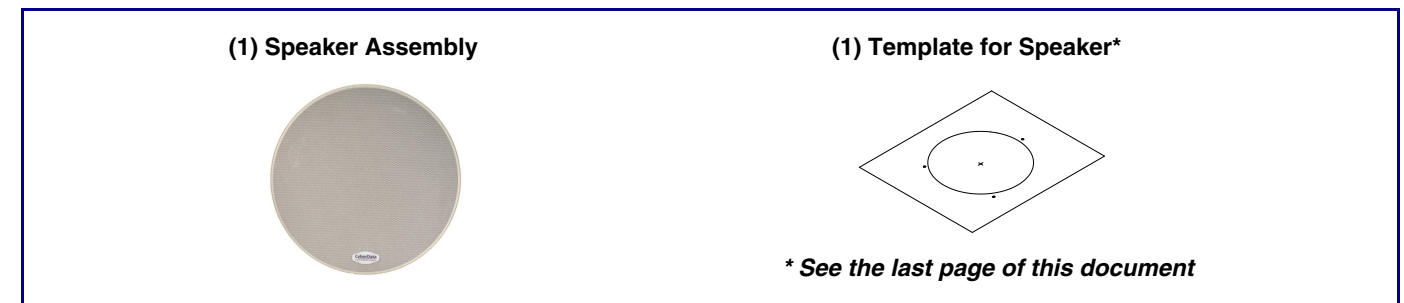
Features

- Supports 25V, 70V or traditional 8 Ohm power input
- Multiple power tap settings for desired dB output
- Designed for good speech intelligibility
- Suitable for background music
- High efficiency speaker driver
- Easy installation
- Seismic tether bracket for additional stability

Getting Started

- This product ships in 70V mode with the power tap setting value of 1 (1.25W) selected.
- Create a plan for the locations of your speakers.
- **WARNING: Do not use the 8 Ohm setting in a constant voltage application.**
- **WARNING: This product must be set to the appropriate voltage depending on the settings of the amplifier. Using a speaker set to 25V in a 70V system will cause damage.**
- **WARNING: This enclosure is not rated for any AC voltages!**

Parts



Contacting CyberData

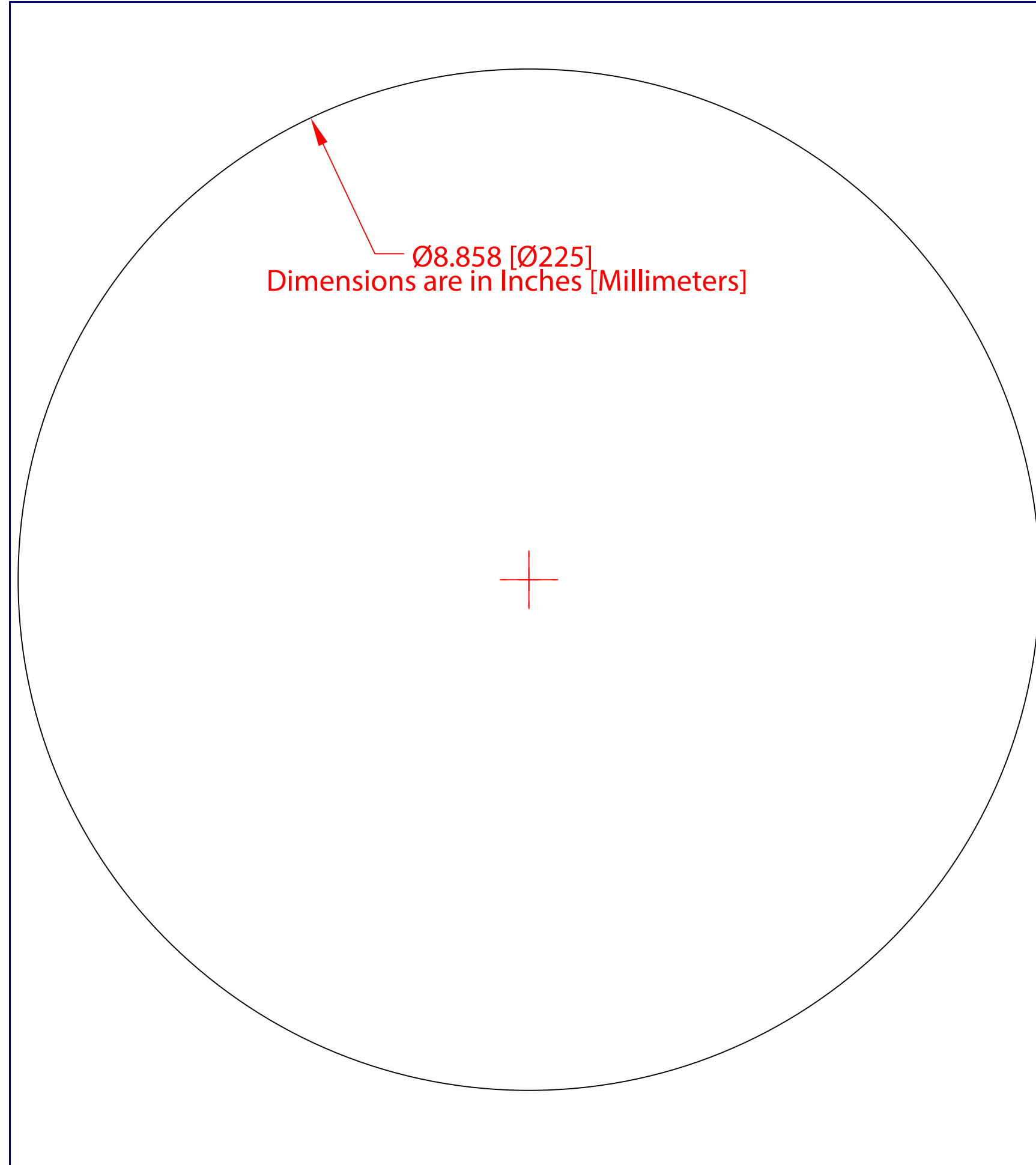
Corporate Headquarters

CyberData Corporation
3 Justin Court
Monterey, CA 93940, USA

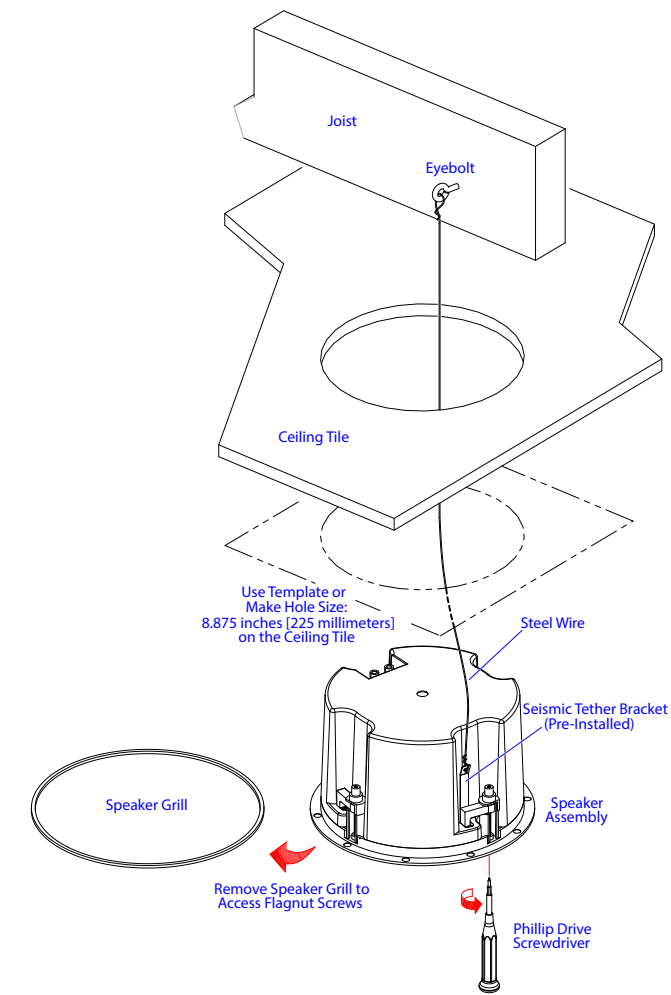
Phone: 831-373-2601
Fax: 831-373-4193
<https://www.cyberdata.net/>

Sales: 831-373-2601 ext. 334
Support: 831-373-2601 ext. 333
Support Website: <https://support.cyberdata.net/>
RMA Department Contact and Status: <https://support.cyberdata.net/>
Warranty Information: <https://support.cyberdata.net/>

Mounting Template



Mounting Instructions



Tools Required for Installation:

- (1) Sheetrock Saw or Drywall Cutter
- (1) #2 Phillips Screw Driver or Powered Screw Driver with #2 Phillips Hex Bit

To mount the speaker:

1. Loosen the Four (4) flag nuts with a #2 Phillip Screw Driver or Powered Screw Driver.
2. Use the TEMPLATE on the back of this document to cut a hole in the wall* or ceiling.
*Skip the seismic tether mounting when mounting it to the wall.
3. Tighten the Four (4) flag nuts with a #2 Phillip Screw Driver or Powered Screw Driver.
4. Replace the speaker grill to the speaker housing.

General Wire Recommendation for 25V or 70V Speakers

For the majority of installations we recommend the following specifications for the speaker wiring.

16/2 (16AWG/2 Conductor) Gray Stranded In-Wall CL3R Speaker Wire (see figure below)

- Use with speaker systems in an indoor audio system
- Class 3, riser rated for in-wall installation in riser and non-riser spaces
- PVC insulating jacket
- 2 fully annealed class B stranded bare copper conductors
- 16-Gauge
- UL Type CL3R
- Plenum rated

There are many brands that will work, but we have personally tested the Southwire company. The description below are the details on this wire in a 500 foot length.

P50002 SY 16/2 STR CU OAS CMP/CL3P CMP/CL3P/FPLP FT6 PLENUM SHIELDED STRANDED 185 25.07

16/2 (16AWG/2 Conductor) Gray Stranded In-Wall CL3R Speaker Wire

2 Conductor
16 Gauge (AWG)

