

IP66 Analog Horn 25V/70V/8 Ohm

CyberData

The IP Endpoint Company

The new IP66 Analog Horn 25V/75V/8 Ohm is a heavy duty horn rated for outdoor use, while also being appropriate for warehouses, manufacturing plants, garages and any environment needing loud paging.

The device is an analog re-entrant horn with a powerful and efficient compression driver designed for good speech intelligibility and a large area of coverage.

The IP66 rating means that it is built for harsh outdoor environments including high moisture, dust, oil, and high pressure water jets.

When used with the CyberData SIP Paging 25V/70V Amplifier it can provide a cost-effective solution that can greatly extend the sound coverage area. The Horn offers the option of constant voltage at either 25 or 70 volts as well as a traditional 8 Ohm mode. Configured with 5 power tap settings, the user can select the desired wattage and equivalent dB levels for the space served. Easy installation allows multiple horns to tee off a single home run cable to the Amplifier.

The Horn is also used with the CyberData Loudspeaker and Paging Amps listed under Related Products.

Features

- Supports 25V, 70V or traditional 8 Ohm power input
- Multiple power tap settings for desired dB output
- High efficiency speaker driver
- Designed for good speech intelligibility
- Suitable for background music

- Weather and corrosion resistant design
- IP66 Rating
- Adjustable mounting base
- 3.28 ft (1m) connected cable



Specifications

Modes 8 Ohm, 25V, 70V

Direct Impedance 8 Ohms

Power Handling 20 watts continuous duty

Power Input 25V, 70V or 8 Ohm

Audio Output:

8 Ohm 802.3at: 117.9 (+/- 0.2) dBC @ 1M and 1 kHz*
802.3af: 115.1 (+/- 0.2) dBC @ 1M and 1 kHz*

Constant Voltage

Power Taps	15W	10W	7W	2W
25V	117.5	117	115.2	110.4
70V	116.9	115.9	114	110.9

Frequency Response 400 - 8000K Hz

IP Rating IP66

Storage Temperature -40° C to 70° C (-40° F to 158° F)

Storage Altitude Up to 15,000 ft. (4573 m)

Operating Range Temperature: -40° C to 55° C (-40° F to 131° F)
Humidity: 5-95%, non-condensing

Dimensions** Length: 8.86 in. [225 mm]
Width: 9.33 in. [237 mm]
Height: 6.38 in. [162 mm] (without stand)
7.09 in. [180 mm] (including stand)

Weight 3.0 lbs. [1.36 kg]

Boxed Weight 3.6 lbs. [1.63 kg]

Warranty 2 Years Limited

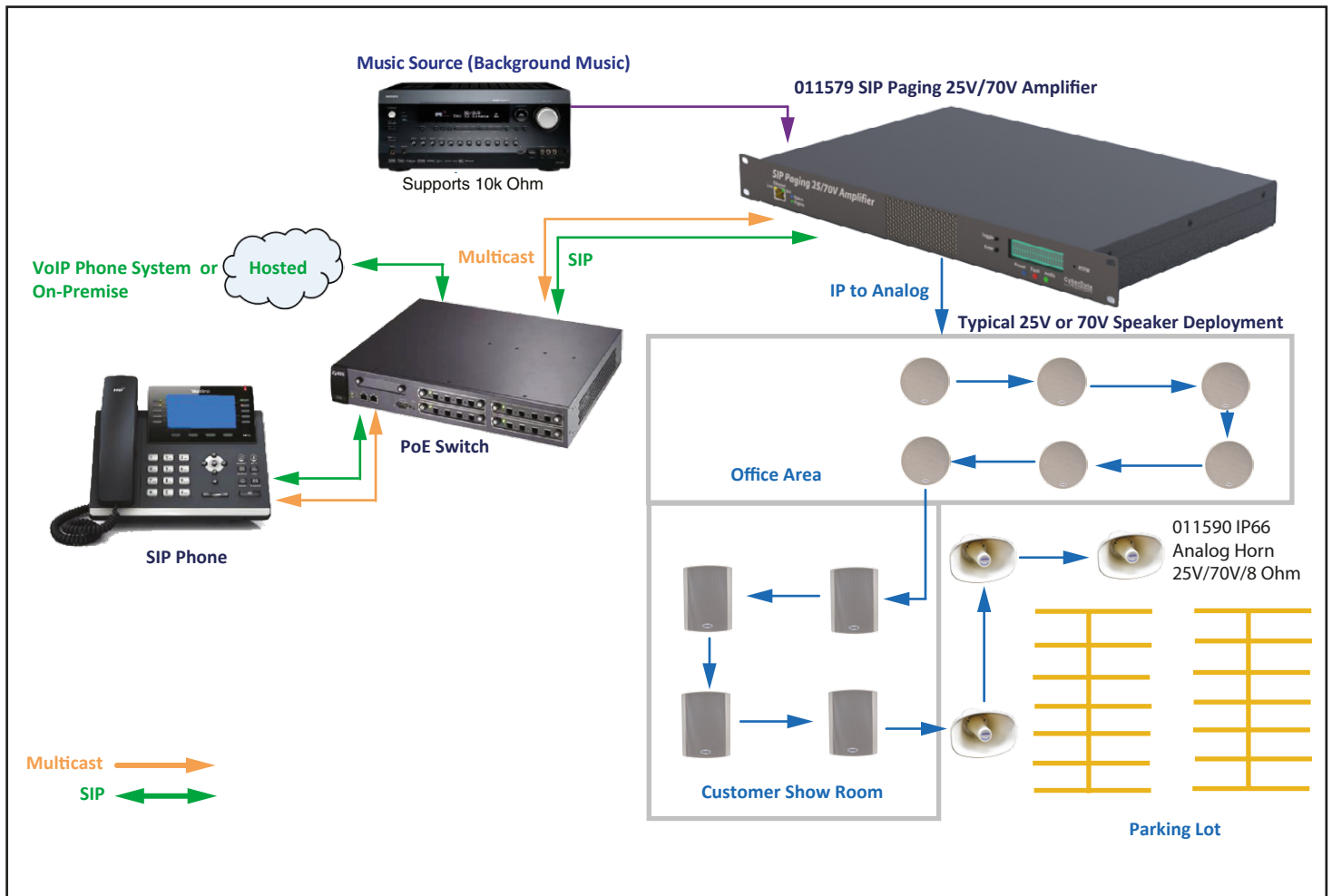
Part Number 011590

*Recorded output levels when tested with one speaker (011590) using a CyberData Paging Amplifier (011324)

**Dimensions are measured from the perspective of the product being upright with the front of the product facing you.

IP66 Analog Horn 25V/70V/8 Ohm

Typical Analog Installation with SIP Paging 25V/70V Amplifier



IP66 Analog Horn db Output Levels*

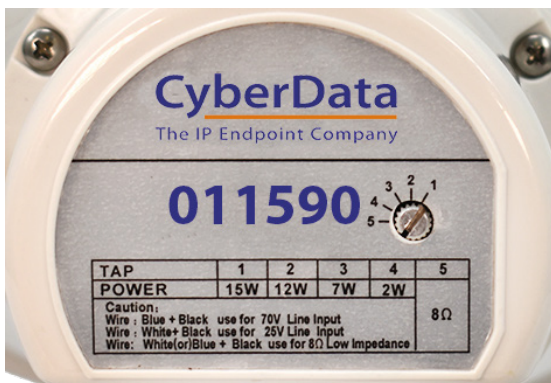
Voltage	Power Tap Settings			
	15W	10W	7W	2W
25V	117.5	117	115.2	110.4
70V	116.9	115.9	114	110.9

* dBC @ 1M and 1kHz

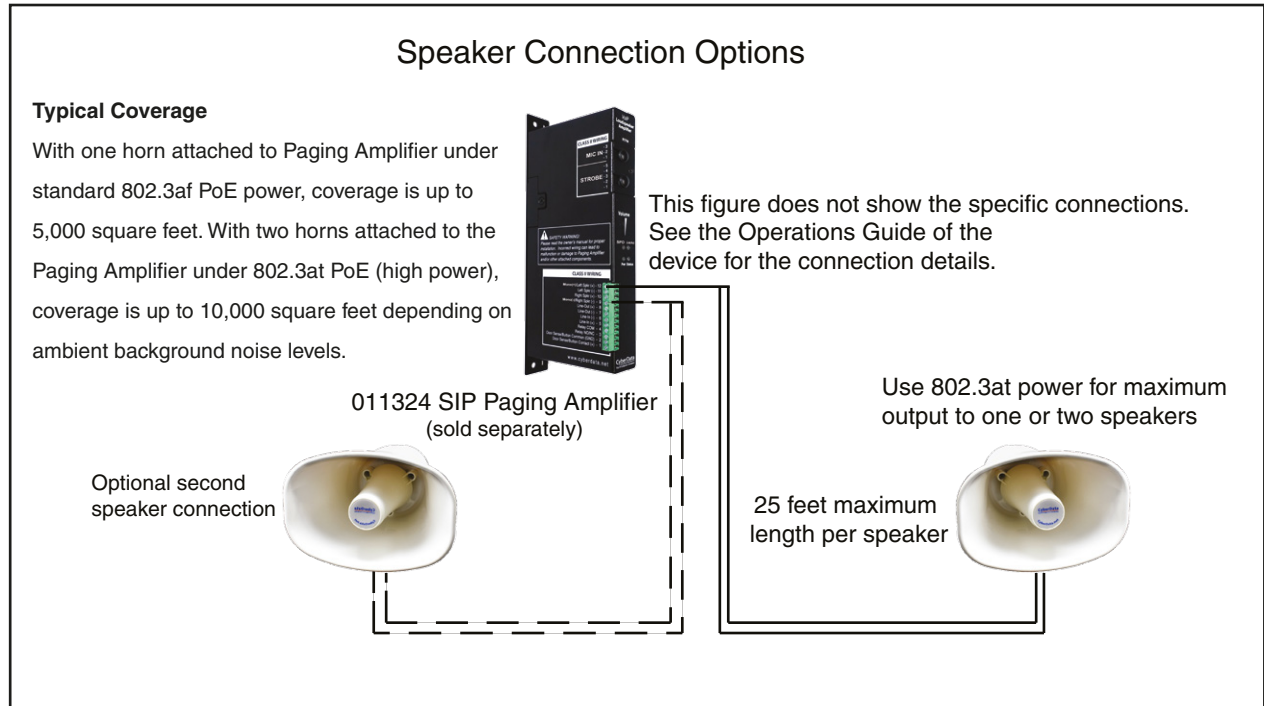
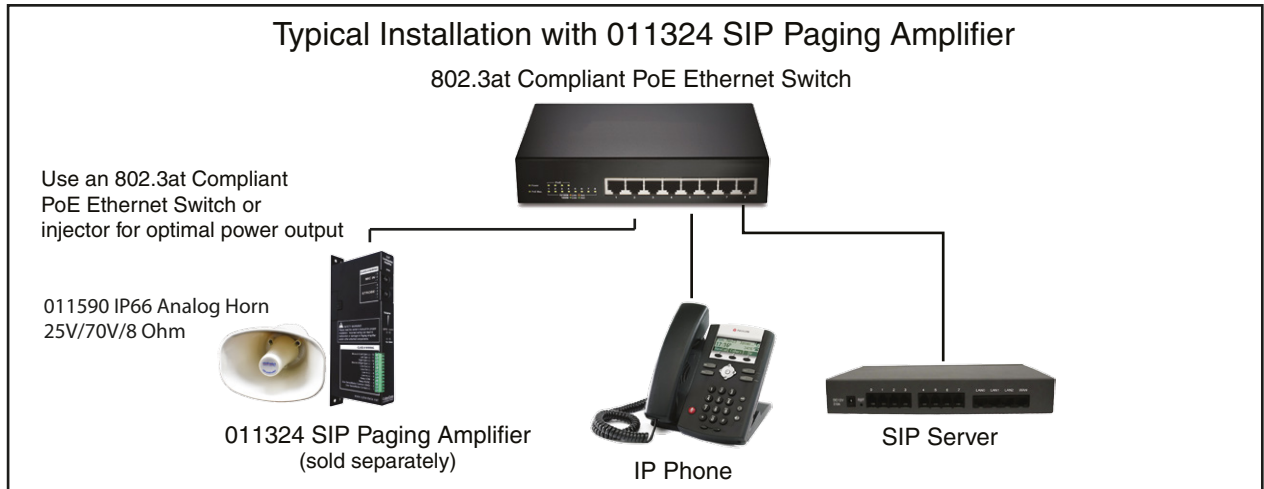
Speaker Matrix

Note: Configuration as pictured above

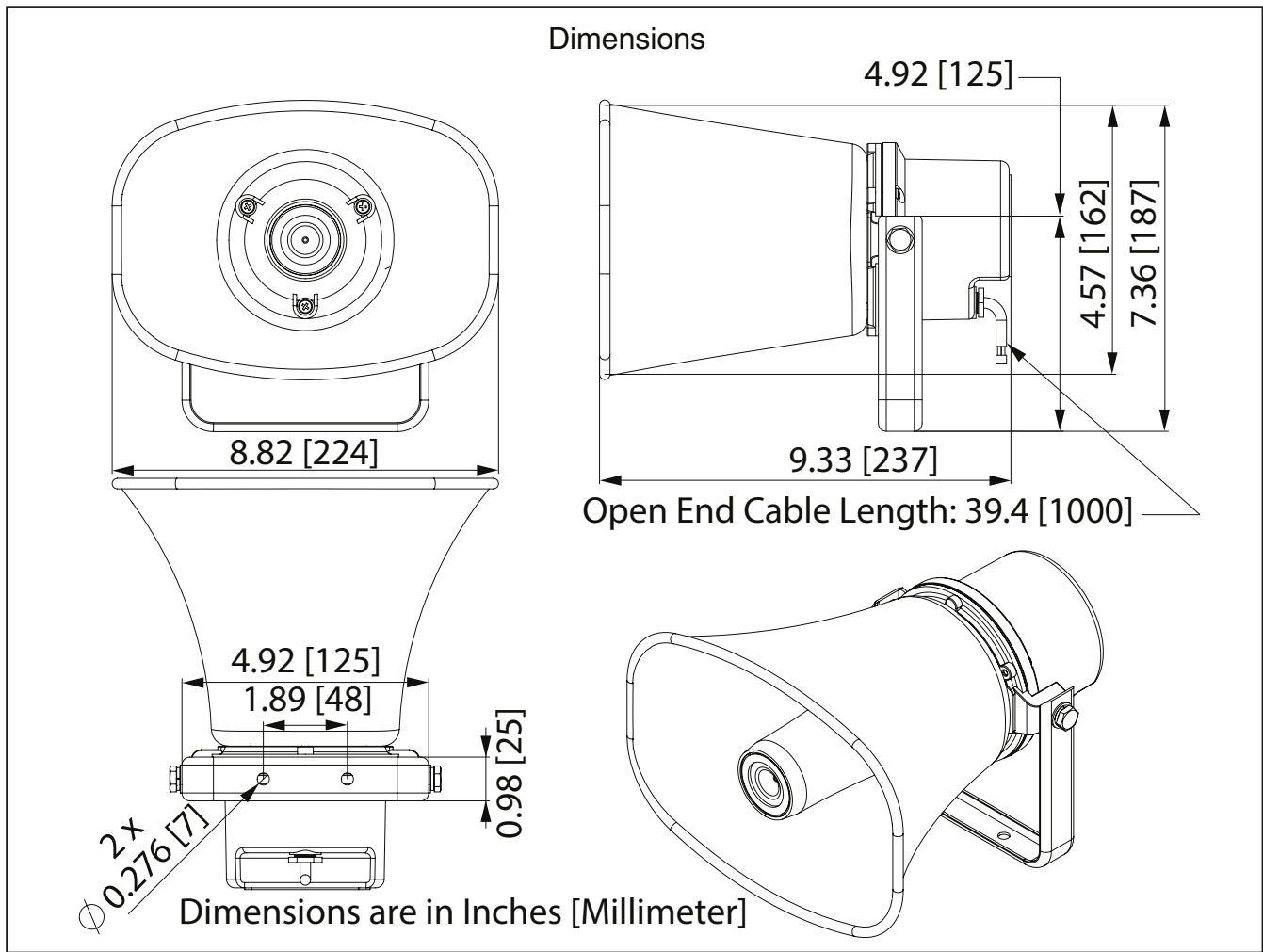
	Qty	Power Tap	Total
Ceiling Speakers	6	3.75W	22.5W
Wallmount	4	10W	40W
Horns	3	15W	45W
			107.5W



IP66 Analog Horn 25V/70V/8 Ohm



IP66 Analog Horn 25V/70V/8 Ohm



Related Products:

For use with the following SIP-enabled Amplifiers



011579 SIP Paging 25V/70V Amplifier



011324 SIP Paging Amplifier
011403 InformaCast Enabled Paging Amplifier



011405 SIP Loudspeaker Amplifier, PoE
011407 InformaCast Enabled Loudspeaker Amplifier, PoE