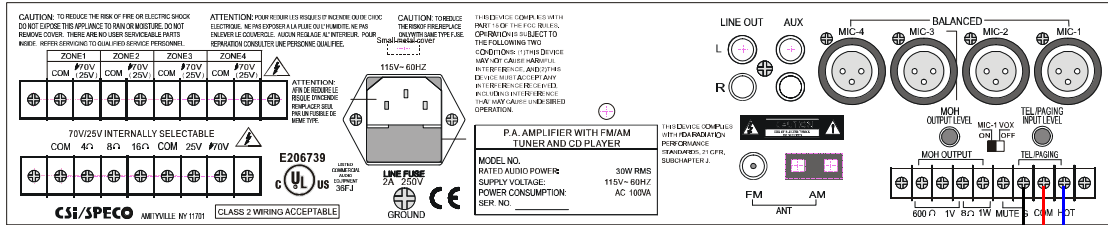
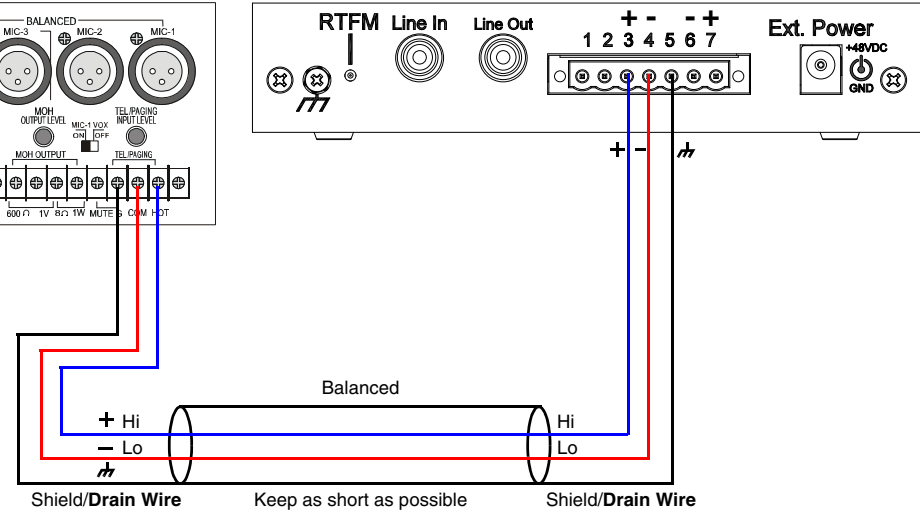


### Speco P-60FACD Amplifier



### SIP Paging Adapter Connections



### Page Port Output Connections

Pin	Description
1	Fault Sense Input (Common).
2	Fault Sense Input (Sense).
3	Positive 600-Ohm Audio Output <sup>a</sup>
4	Negative 600-Ohm Audio Output <sup>a</sup>
5	Audio Ground Reference.
6	Relay Contact - Common <sup>b</sup>
7	Relay Contact - Normally Open <sup>b</sup>

### Notes

The CyberData SIP Paging Adapter's 600 Ohm page port terminal strip connects to the TEL/PAGING input on the Speco P-60FACD Amplifier. CyberData recommends that you move the MIC-1 VOX switch to the **ON** position and adjust the TEL/PAGING input level control if necessary.

2 conductor, shielded speaker wire is recommended.

a. The 600-Ohm audio output of the page port is also suited for interfaces with lower input impedances.

b. 1 Amp at 30 VDC for continuous loads.