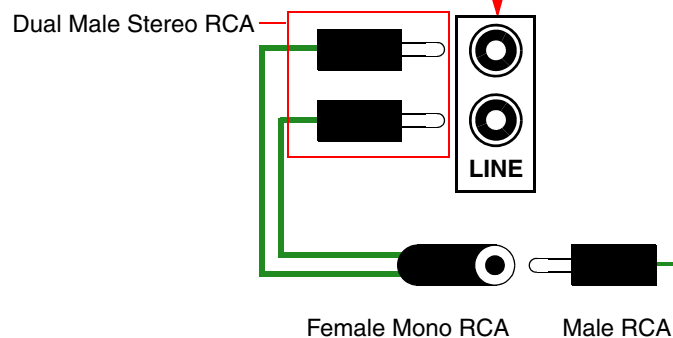
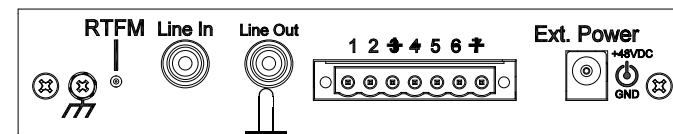
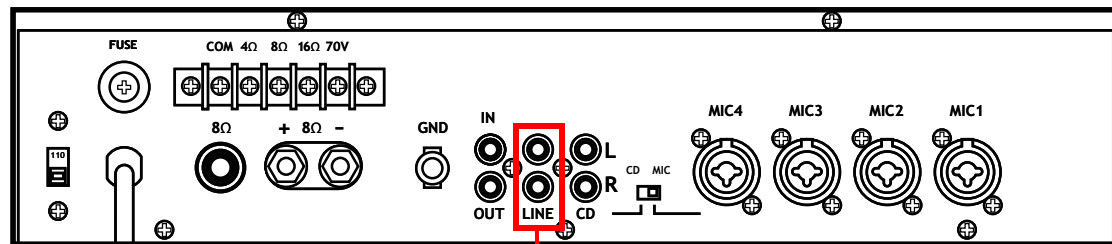


Pyle Pro PT610 Amplifier

SIP Paging Adapter Connections



Notes

CyberData SIP Paging Adapter's RCA line level output can connect to the LINE input channel on the Pyle Pro PT610 Amplifier using a male RCA to male RCA cable and a female mono RCA to dual male stereo RCA cable.

Turn the master volume control all the way down and slowly start to increase until you hear distortion.