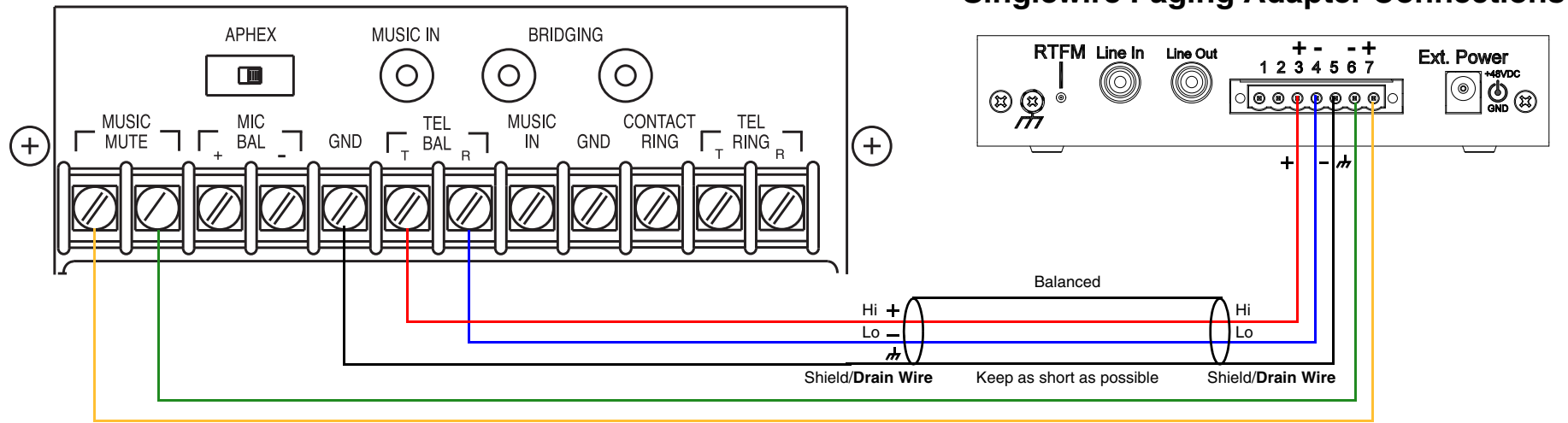


MODEL TPU250 250 WATT AMPLIFIER BOGEN COMMUNICATIONS



Keep the connections as short as possible.

Notes:

CyberData Singlewire Paging Adapter's Page Port output connects to the TEL Input on the Bogen TPU series amplifier terminal strip.

It will be necessary to use the Singlewire Paging Adapter's normally open relay contacts in addition to the Page Port connection to mute background music. Be sure to check **Enable relay on local audio** on the **Device Configuration** page of the web interface.

2 conductor, shielded speaker wire is recommended.

Page Port Output Connections

Pin	Description
1	Fault Sense Input (Common).
2	Fault Sense Input (Sense).
3	Positive 600-Ohm Audio Output ^a
4	Negative 600-Ohm Audio Output ^a
5	Audio Ground Reference.
6	Relay Contact - Common ^b
7	Relay Contact - Normally Open ^b

a. The 600-Ohm audio output of the page port is also suited for interfaces with lower input impedances.

b. 1 Amp at 30 VDC for continuous loads.