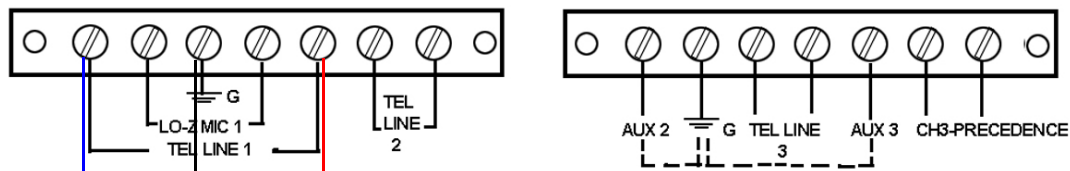
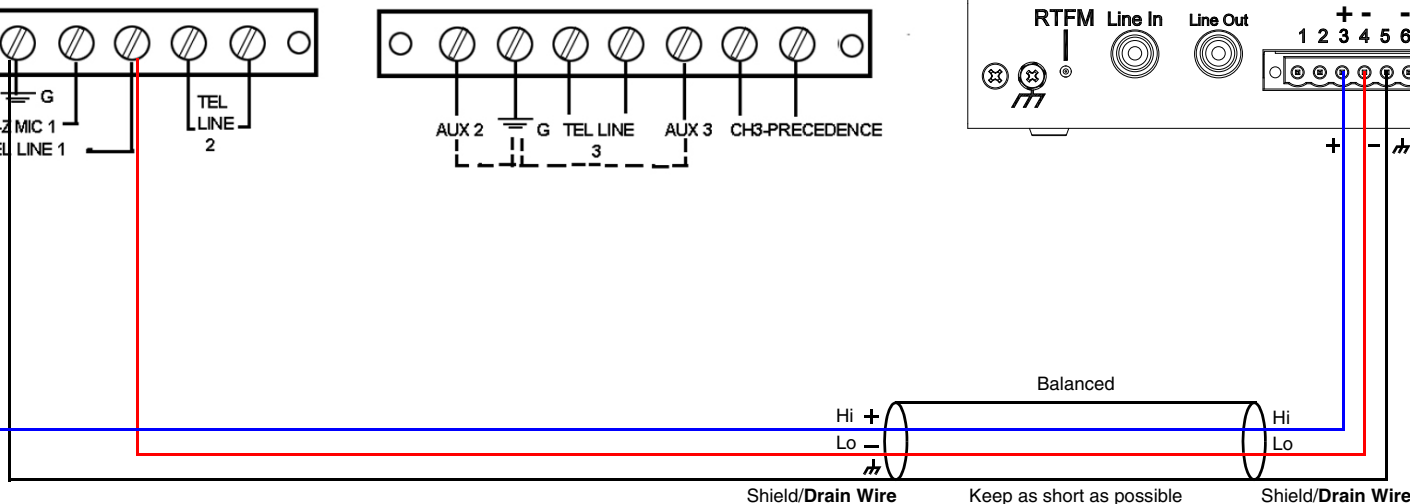
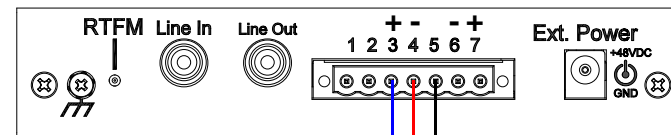


Bogen TU-35/60/100A Amplifier Terminal Strip Connections, All Models



Singlewire Paging Adapter Connections



Page Port Output Connections

Pin	Description
1	Fault Sense Input (Common).
2	Fault Sense Input (Sense).
3	Positive 600-Ohm Audio Output ^a
4	Negative 600-Ohm Audio Output ^a
5	Audio Ground Reference.
6	Relay Contact - Common ^b
7	Relay Contact - Normally Open ^b

Notes

The CyberData SIP Paging Adapter's 600 Ohm page port terminal strip connects to the TEL LINE input on the Bogen TU series.

2 conductor, shielded speaker wire is recommended.

The Paging Adapter pins 6 & 7 can be connected to the Bogen CH3-Precedence terminals to mute Channel 3 during a page to channel 1 (or channel 2) by turning the Paging adapter relay on during page.

a. The 600-Ohm audio output of the page port is also suited for interfaces with lower input impedances.

b. 1 Amp at 30 VDC for continuous loads.