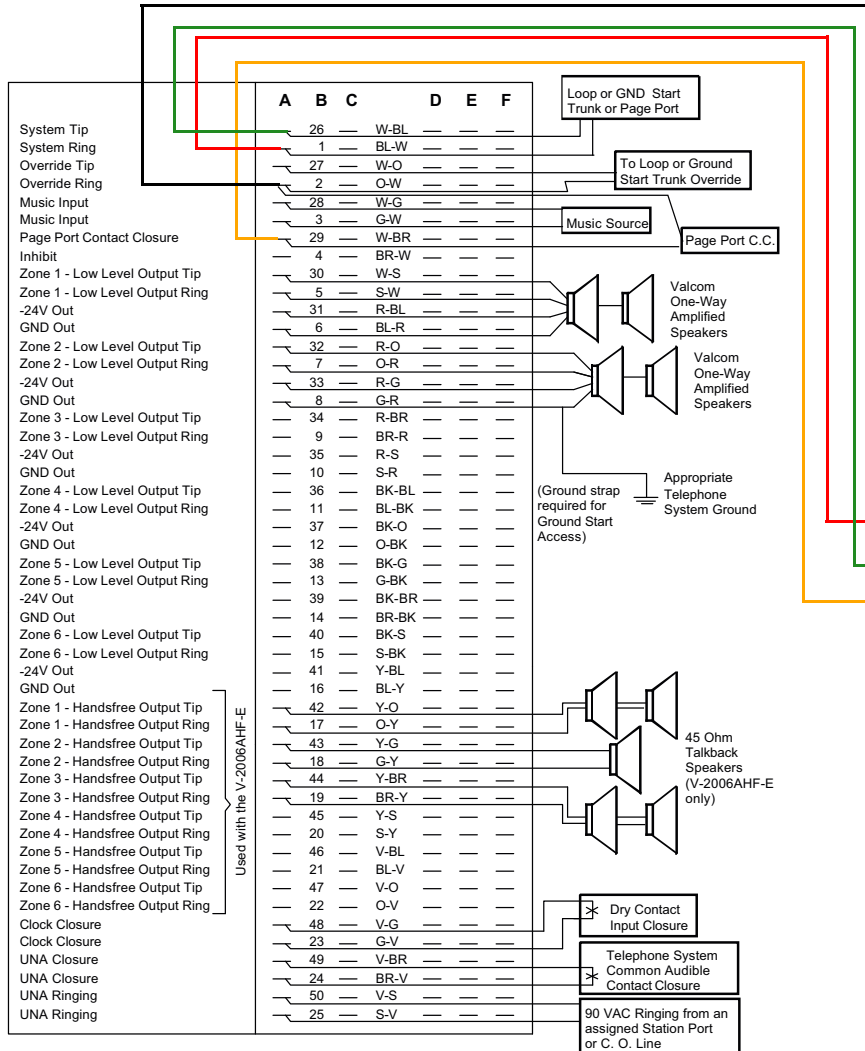
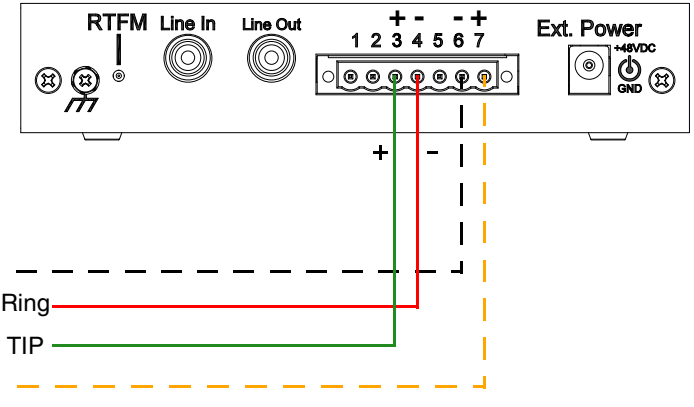


Valcom V-2006A Amplifier



Singlewire Paging Adapter Connections



Page Port Output Connections

Pin	Description
1	Fault Sense Input (Common).
2	Fault Sense Input (Sense).
3	Positive 600-Ohm Audio Output ^a
4	Negative 600-Ohm Audio Output ^a
5	Audio Ground Reference.
6	Relay Contact - Common ^b
7	Relay Contact - Normally Open ^b

a. The 600-Ohm audio output of the page port is also suited for interfaces with lower input impedances.

b. 1 Amp at 30 VDC for continuous loads.

Notes

CyberData Singlewire Paging Adapter's 600 Ohm Page Port output connects to the Page Port input terminal strip on the Valcom 2006A Amplifier.

Contact closure is provided using the Singlewire Paging Adapter's relay contacts, terminal pins 6 and 7. Check the option to "Enable relay on local audio" on the Device Configuration page the web interface.

Be sure to verify the Battery Feed switch is set to OFF for Page Port access.

2 conductor, shielded speaker wire is recommended.