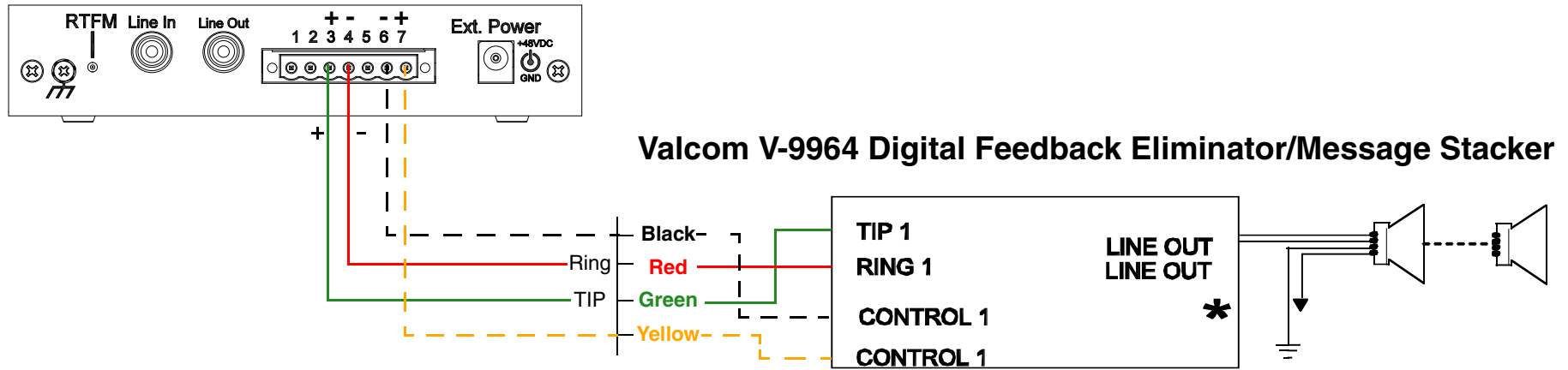


### V3 Paging Server Connections



### Page Port Output Connections

Pin	Description
1	Fault Sense Input (Common).
2	Fault Sense Input (Sense).
3	Positive 600-Ohm Audio Output <sup>a</sup>
4	Negative 600-Ohm Audio Output <sup>a</sup>
5	Audio Ground Reference.
6	Relay Contact - Common <sup>b</sup>
7	Relay Contact - Normally Open <sup>b</sup>

a. The 600-Ohm audio output of the page port is also suited for interfaces with lower input impedances.

b. 1 Amp at 30 VDC for continuous loads.

### Notes

This unit can be used with V3 Paging Server with pins 3 and 4 for 600 Ohm Page Port audio out and pins 6 and 7 for the contact closure page control. Setup should be done with all units powered down during connecting. It is very important that SW1 and SW2 battery feed are in the **OFF** position (and remain off) prior to starting the Valcom unit and during operation. Also note that audio buffering should be turned off on the V3 Paging Server as the Valcom unit performs that function if needed. On the V3 Paging Server, select **Enable Relay on local audio** on the **Device Configuration** page during a call or page.