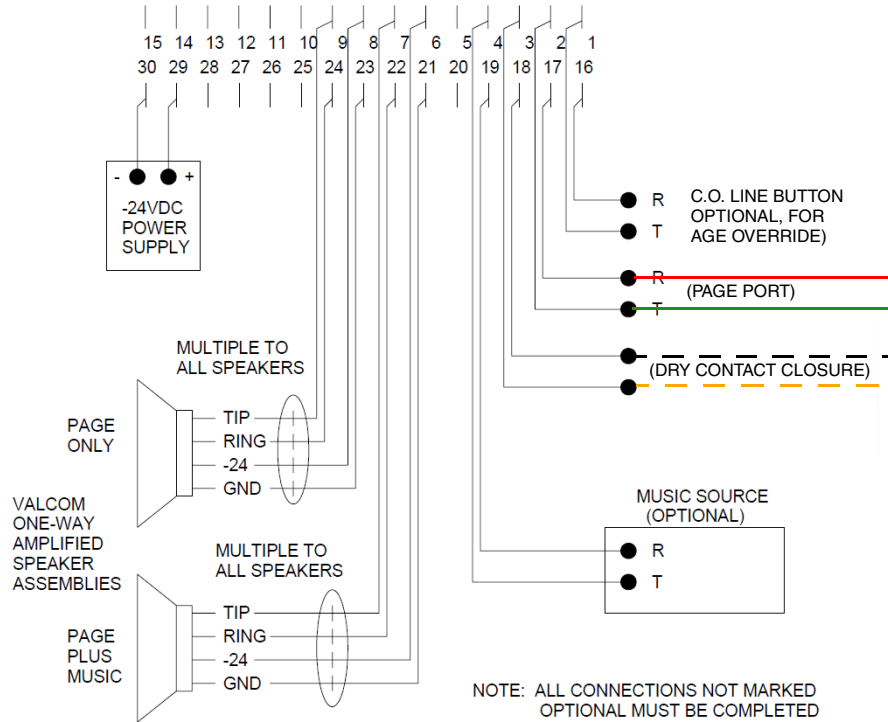
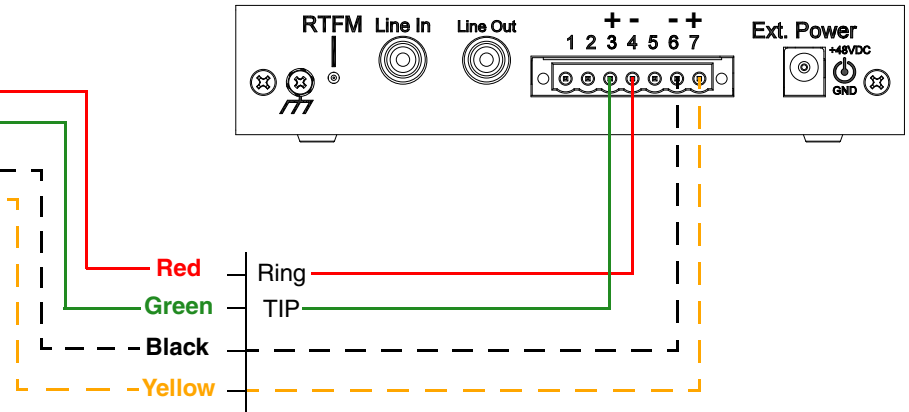


Valcom V-9937 Amplifier



Singlewire Paging Adapter Connections



NOTE: ALL CONNECTIONS NOT MARKED OPTIONAL MUST BE COMPLETED

Page Port Output Connections

Pin	Description
1	Fault Sense Input (Common).
2	Fault Sense Input (Sense).
3	Positive 600-Ohm Audio Output ^a
4	Negative 600-Ohm Audio Output ^a
5	Audio Ground Reference.
6	Relay Contact - Common ^b
7	Relay Contact - Normally Open ^b

a. The 600-Ohm audio output of the page port is also suited for interfaces with lower input impedances.

b. 1 Amp at 30 VDC for continuous loads.

Notes

This unit will take an external 600 Ohm Page Port audio (into the connector punchdown block at 2 (T) and 17 (R) Tip and Ring) with external dry contact closure signal (into connector punchdown Block at 18 and 3 Dry Contact Closure) and broadcast that audio out to connected Self-amplified speakers.

This Valcom unit will work with our Singlewire Paging Adapter as an external audio source using the Paging Adapter 600 Ohm Line-out (pins 3 (T) and 4 (R)) and relay contact closure (pins 6 and 7)

You will need to check "enable relay on local audio" on the Singlewire Paging Adapter Device Configuration page of the web interface. Please do not attempt to connect the Self-amplified speakers directly to our Singlewire Paging Adapter as this can damage the Singlewire Paging Adapter.

The Valcom manual recommends using a Valcom paging extender V-2994 on the output of the V- 9937 if connecting to a lot of self-amplified speakers (up to 150).