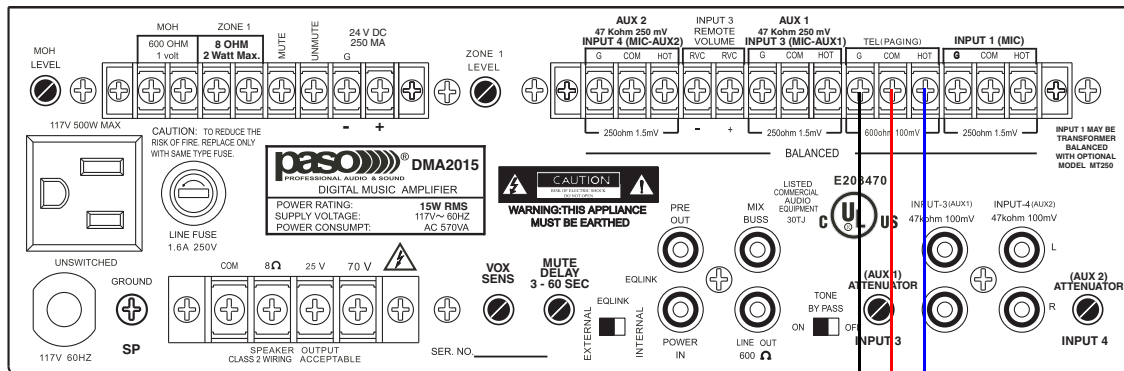
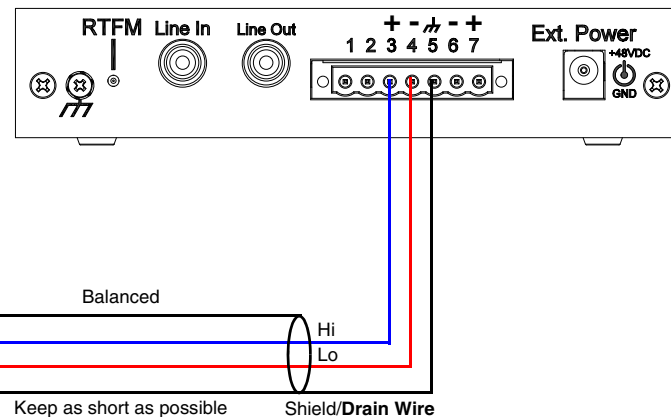


Paso DMA-2015 / 2030 / 2060 / 2120 Amplifier



SIP Paging Server Connections



Shield/Drain Wire Keep as short as possible Shield/Drain Wire

Page Port Connections

Pin	Description
1	Fault Sense Input (Common).
2	Fault Sense Input (Sense).
3	Positive 600-Ohm Audio Output ^a
4	Negative 600-Ohm Audio Output ^a
5	Audio Ground Reference.
6	Relay Contact - Common ^b
7	Relay Contact - Normally Open ^b

a. The 600-Ohm audio output of the page port is also suited for interfaces with lower input impedances.
 b. 1 Amp at 30 VDC for continuous loads.

Notes

CyberData SIP Paging Server's Page Port output connects to the TEL input on the Paso DMA-2015 / 2030 / 2060 / 2120 Amplifier. Connect the Drain Wire to ground if necessary.

2-conductor, shielded speaker wire is recommended.