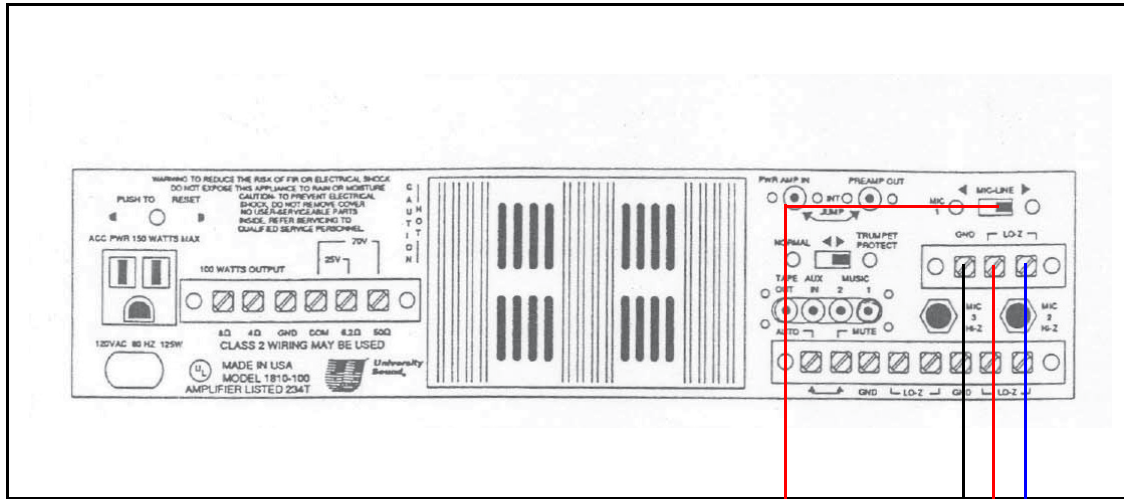
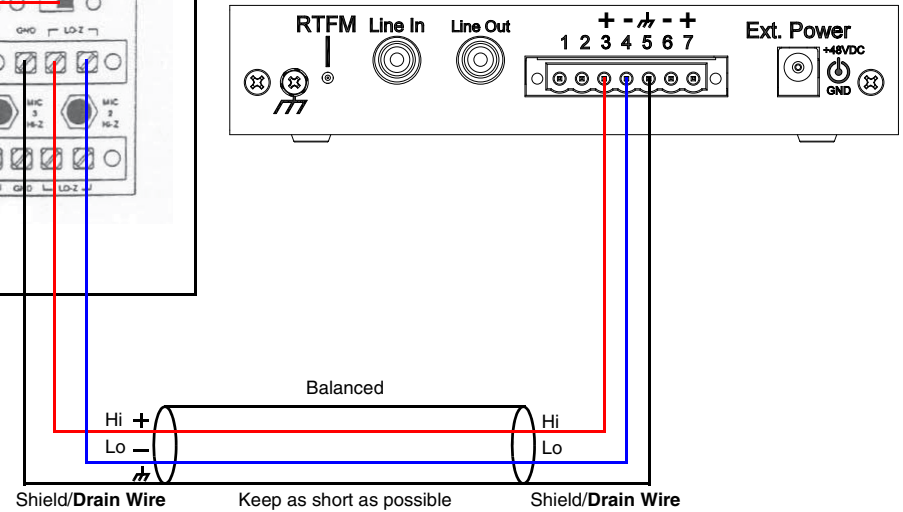


University Sound 1810 Amplifier



Mic - Line switch set in Line position.

Singlewire Paging Adapter Connections



Page Port Output Connections

Pin	Description
1	Fault Sense Input (Common).
2	Fault Sense Input (Sense).
3	Positive 600-Ohm Audio Output ^a
4	Negative 600-Ohm Audio Output ^a
5	Audio Ground Reference.
6	Relay Contact - Common ^b
7	Relay Contact - Normally Open ^b

a. The 600-Ohm audio output of the page port is also suited for interfaces with lower input impedances.

b. 1 Amp at 30 VDC for continuous loads.

Notes

If music muting with contact closure is desired, remove the jumper from between Auto and Mute, and then connect the Singlewire Paging Adapter terminal pin 6 to the Mute and Pin 7 to the GND. Then enable relay during page on the Singlewire Paging Adapter **Device Configuration** page.

2 conductor, shielded speaker wire is recommended.