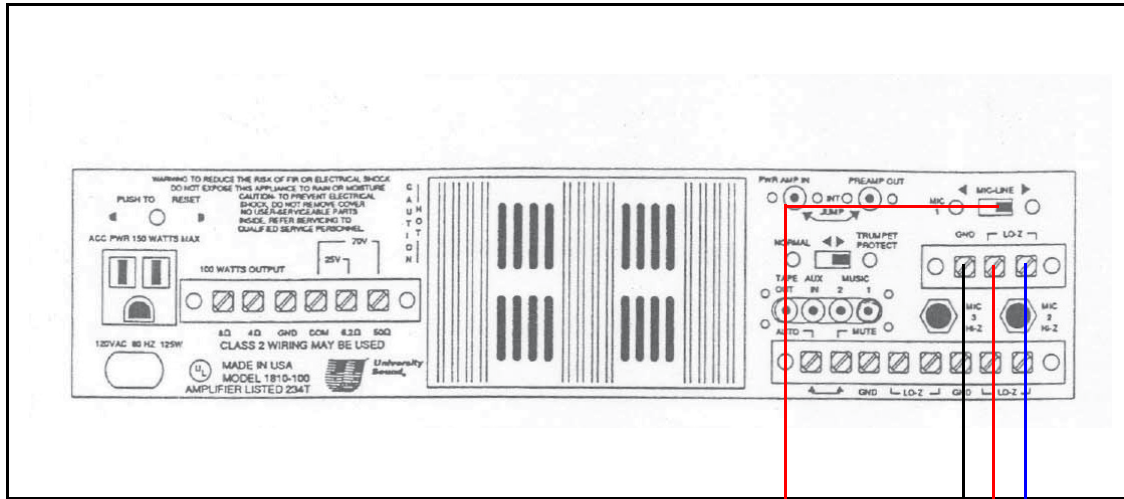
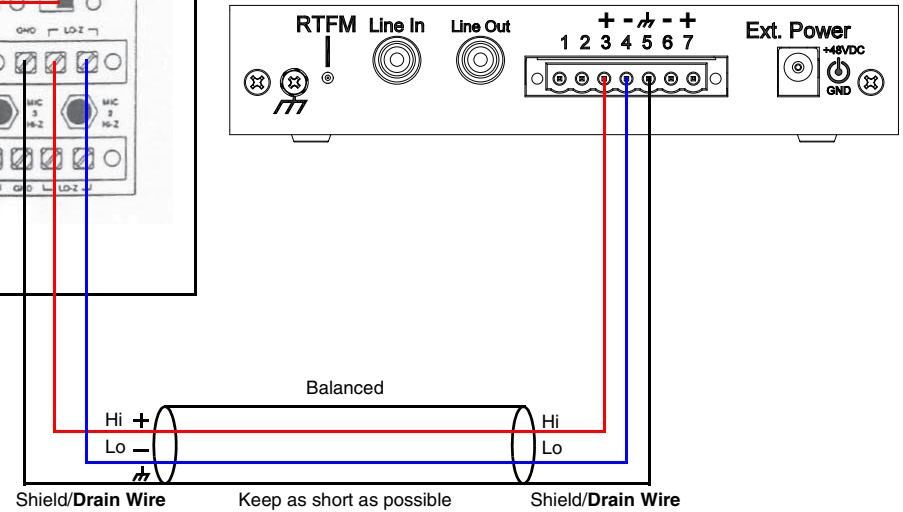


### University Sound 1810 Amplifier



Mic - Line switch set in Line position.

### VoIP Paging Server Connections



### Page Port Output Connections

Pin	Description
1	Fault Sense Input (Common).
2	Fault Sense Input (Sense).
3	Positive 600-Ohm Audio Output <sup>a</sup>
4	Negative 600-Ohm Audio Output <sup>a</sup>
5	Audio Ground Reference.
6	Relay Contact - Common <sup>b</sup>
7	Relay Contact - Normally Open <sup>b</sup>

a. The 600-Ohm audio output of the page port is also suited for interfaces with lower input impedances.

b. 1 Amp at 30 VDC for continuous loads.

### Notes

If music muting with contact closure is desired, remove the jumper from between Auto and Mute, and then connect the VoIP Paging Server terminal pin 6 to the Mute and Pin 7 to the GND. Then enable relay during page on the VoIP Paging Server **Device Configuration** page.

2 conductor, shielded speaker wire is recommended.