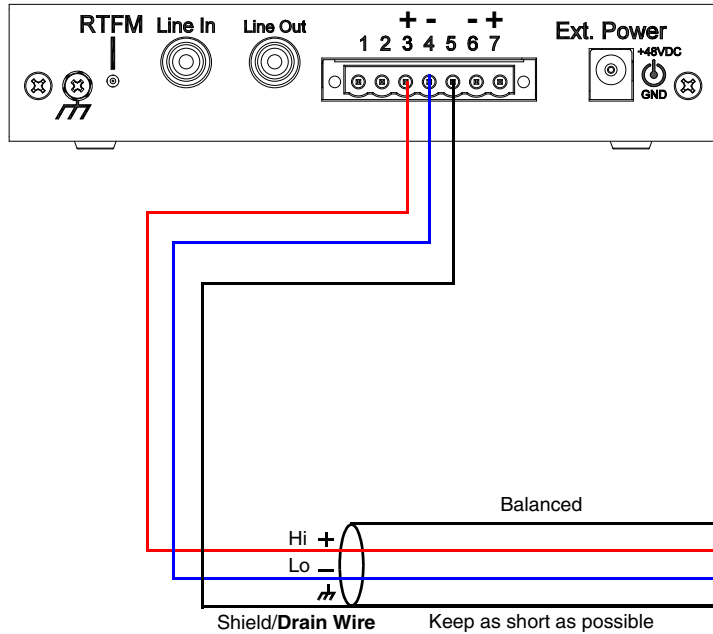
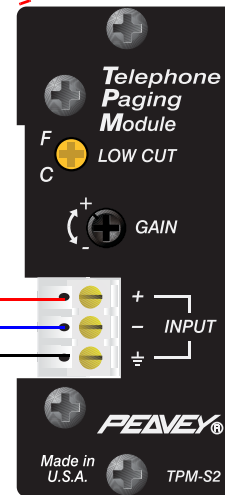
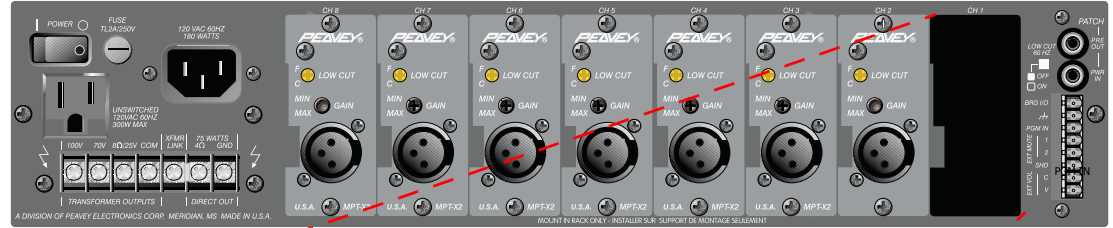


### Singlewire Paging Adapter Connections



### Peavey MMA 8752 Amplifier



### Page Port Connections

Pin	Description
1	Fault Sense Input (Common).
2	Fault Sense Input (Sense).
3	Positive 600-Ohm Audio Output <sup>a</sup>
4	Negative 600-Ohm Audio Output <sup>a</sup>
5	Audio Ground Reference.
6	Relay Contact - Common <sup>b</sup>
7	Relay Contact - Normally Open <sup>b</sup>

### Notes

The Peavey TPM-S2 Telephone Paging Model must be set to accept 600 Ohm Page Port Audio by jumpers on its PCB (either 10K Ohm or 600 Ohm) of which the 600 Ohm is appropriate to connect the Singlewire Paging Adapter.

You must power down all equipment prior to changing any connections.

2-conductor, shielded speaker wire is recommended.

a. The 600-Ohm audio output of the page port is also suited for interfaces with lower input impedances.

b. 1 Amp at 30 VDC for continuous loads.