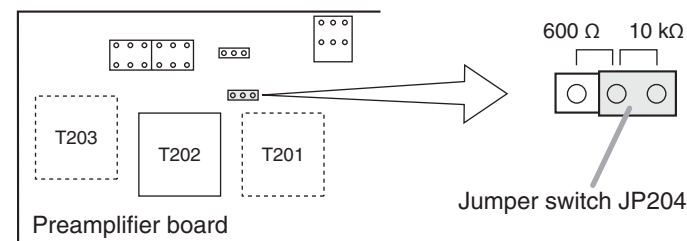
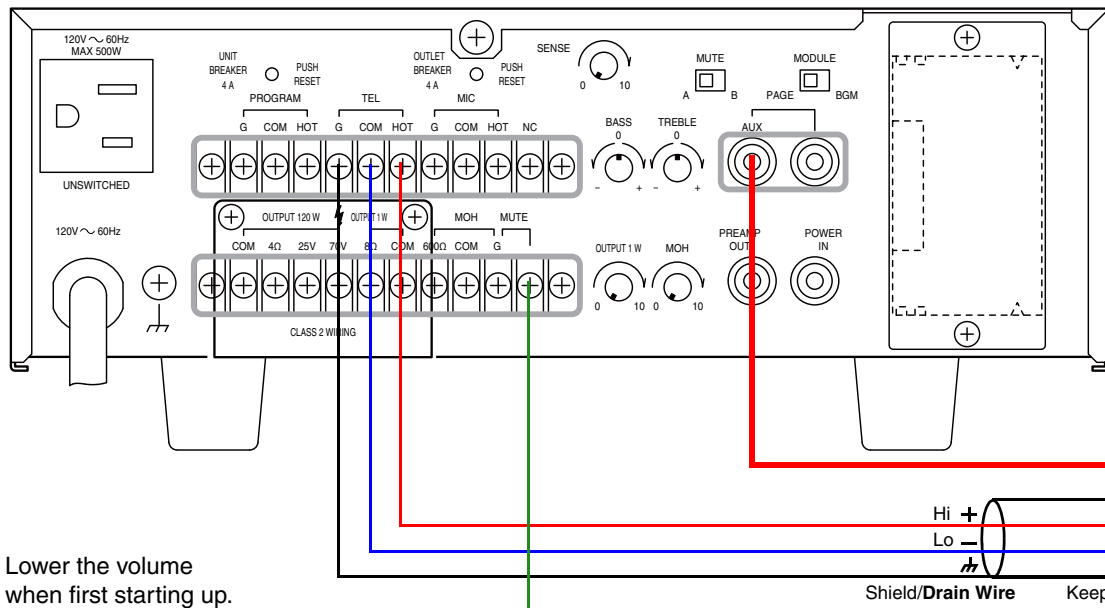
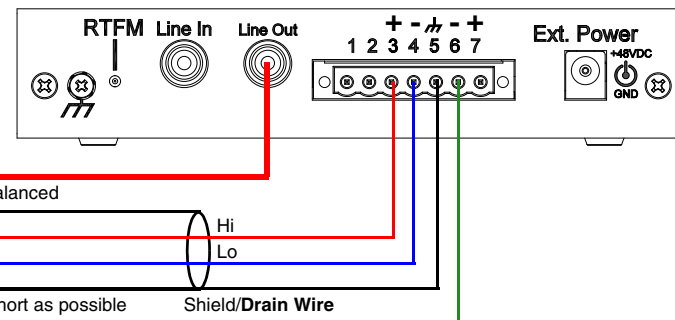


TOA BG-1015/1030/1060/1120 Amplifier



The impedance is factory-preset to 10 kOhms. To switch to 600 Ohms, change the position of the unit's internal jumper switch JP24.

SIP Paging Server Connections

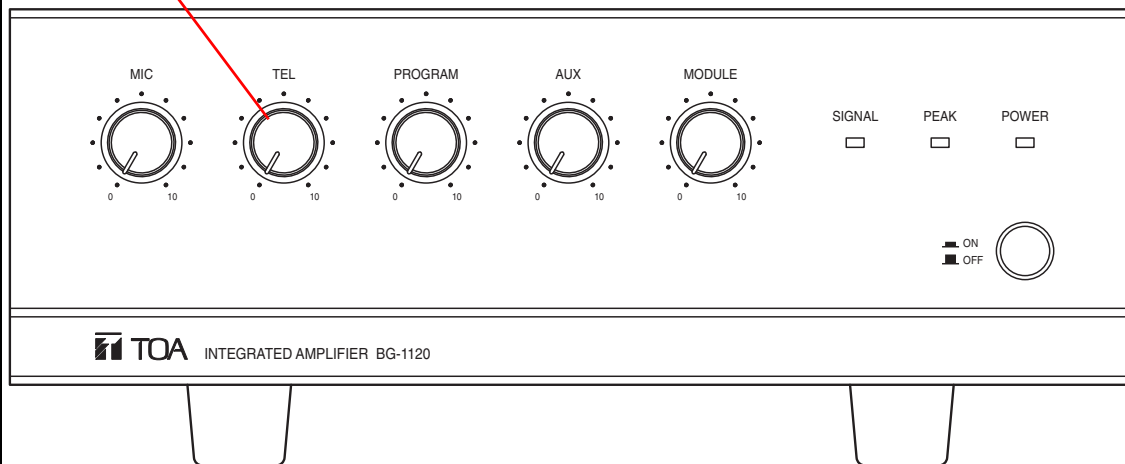


Page Port Connections

Pin	Description
1	Fault Sense Input (Common).
2	Fault Sense Input (Sense).
3	Positive 600-Ohm Audio Output ^a
4	Negative 600-Ohm Audio Output ^a
5	Audio Ground Reference.
6	Relay Contact - Common ^b
7	Relay Contact - Normally Open ^b

a. The 600-Ohm audio output of the page port is also suited for interfaces with lower input impedances.

b. 1 Amp at 30 VDC for continuous loads.



Notes

2-conductor, shielded speaker wire is recommended.